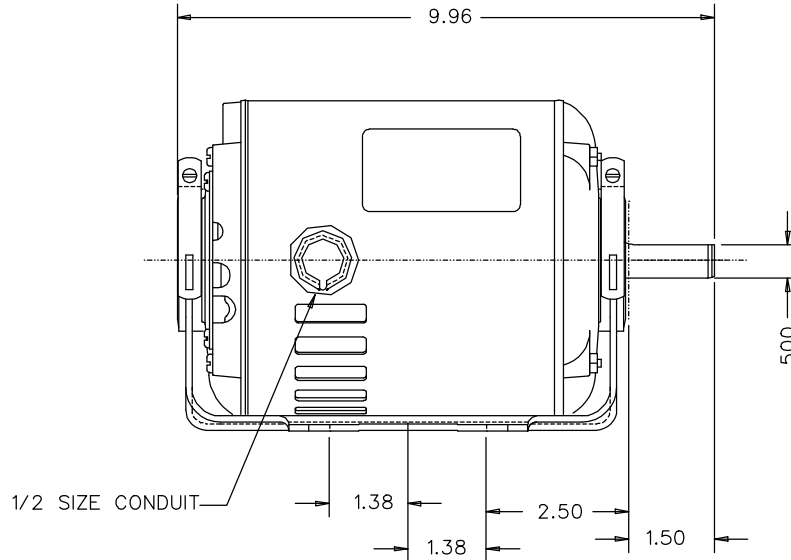
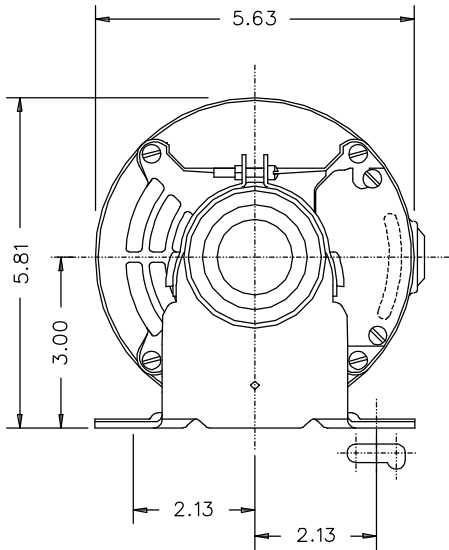


SUPPLIED DETACHED:
 1-5/8 SHAFT ADAPTER
 1-SHAFT KEY
 1-FORM INSTAL. INSTR.



MODEL	REF.	CUSTOMER	HP.	VOLTS	AMPS	HZ.	R.P.M.	ROTATION	CUST. PT. NO.
SA55NXSFC-4867		STANDARD	1/2	115		60	1725	CCW LEAD END, REV.	8200
PAGE 1 OF 1	REVISION RECORD FOR: ECO 216041			INFORMATION DISCLOSED ON THIS DOCUMENT IS CONSIDERED PROPRIETARY AND SHALL NOT BE REPRODUCED OR DISCLOSED WITHOUT WRITTEN CONSENT OF EMERSON ELECTRIC COMPANY.					
REVISION DATE	ROTATION WAS "REVERSIBLE"								
2-05-2003									
ALL DIMENSIONS ARE FOR REFERENCE ONLY UNLESS TOLERANCE IS GIVEN.									
ISSUED BY	REVIEWED BY	ENGINEER APPROVED	TITLE	CODE	ITEM NO.	SIZE			
R. GONZALEZ	M. CAMPA	V. GARCIA	ASSEMBLED VIEW	V01	255738	A			