

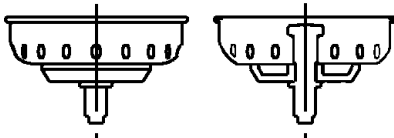
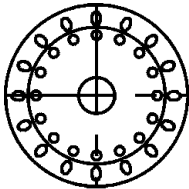
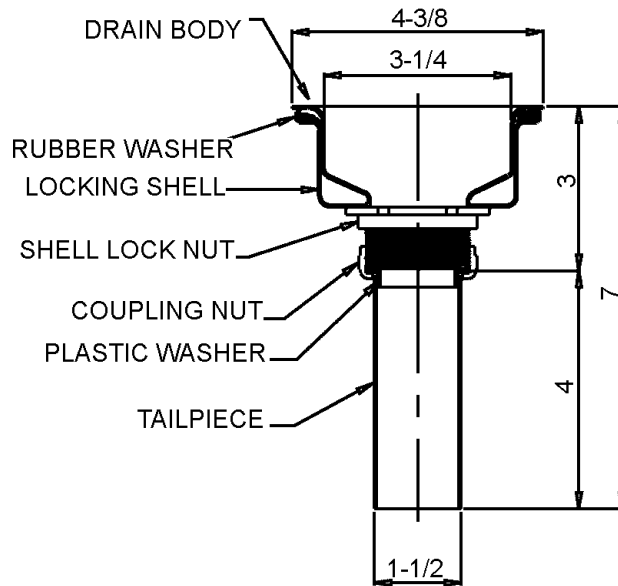
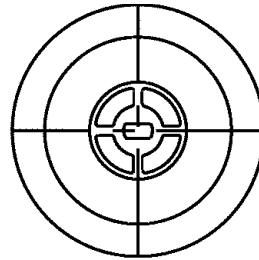


**FITTINGS GROUP**

J-35

**Stainless Steel Drain  
with  
Crumb Cup Strainer**

**SUBMITTAL DATA**



**STRAINER DETAIL**

**TECHNICAL DATA**

**DRAIN:**

Body of Type 304 stainless steel  
Strainer and post of Type 304 stainless steel  
Stopper of rubber

**TAILPIECE:**

Chrome plated brass

**LOCK NUT:**

Die-cast zinc

**COUPLING NUT:**

Die-cast

**VARIANTS**

Brass coupling nuts

Job Name _____	
Customer _____	
Architect/Engineer _____	
APPROVED FOR MANUFACTURING	
MODEL NO. _____	QTY. _____
COMPANY _____	
TITLE _____	DATE _____
SIGNATURE _____	

REVISED-5/2004

FUNCTIONAL DESIGN, QUALITY, AND SPECIFICATIONS LISTED DESCRIBE THE JUST STANDARD OF QUALITY. WHEN MAKING COMPARISONS WITH OTHER OFFERINGS, INSIST ON THE JUST QUALITY OF CONSTRUCTION. FOR ADDITIONAL INFORMATION REGARDING THE COMPLETE LINE OF **JUST** SINKS, FAUCETS AND DRAINS, VISIT OUR WEB SITE AT [www.justmfg.com](http://www.justmfg.com)

<b>JUST MANUFACTURING COMPANY</b>
9233 KING STREET . FRANKLIN PARK . ILLINOIS . 60131-2111
PH: 847-678-5150 . FAX: 847-678-6817
E-MAIL: <a href="mailto:custserv@justmfg.com">custserv@justmfg.com</a> . <a href="http://www.justmfg.com">www.justmfg.com</a>