

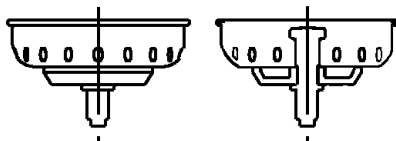
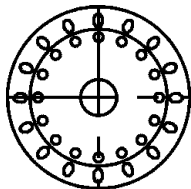
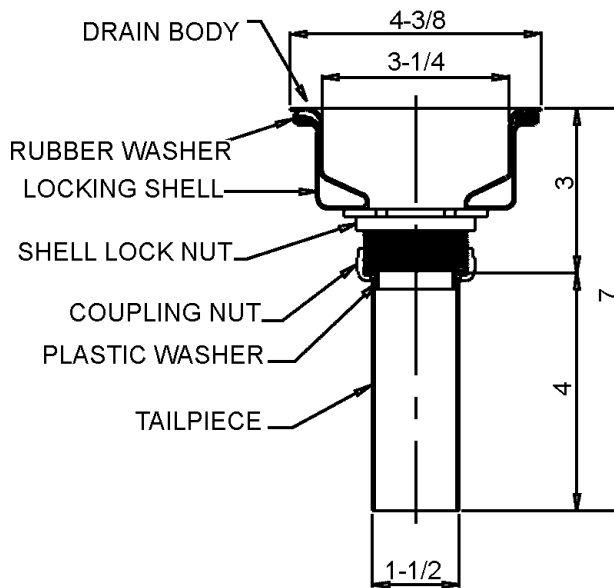
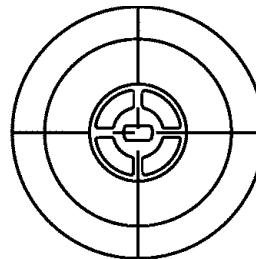


FITTINGS GROUP

J-35

**Stainless Steel Drain
with
Crumb Cup Strainer**

SUBMITTAL DATA



STRAINER DETAIL

TECHNICAL DATA

DRAIN:
Body of Type 304 stainless steel
Strainer and post of Type 304 stainless steel
Stopper of rubber

TAILPIECE:
Chrome plated brass

LOCK NUT:
Die-cast zinc

COUPLING NUT:
Die-cast

VARIANTS
Brass coupling nuts

Job Name _____	
Customer _____	
Architect/Engineer _____	
APPROVED FOR MANUFACTURING	
MODEL NO. _____	QTY. _____
COMPANY _____	
TITLE _____	DATE _____
SIGNATURE _____	

REVISED-5/2004

FUNCTIONAL DESIGN, QUALITY, AND SPECIFICATIONS LISTED DESCRIBE THE JUST STANDARD OF QUALITY. WHEN MAKING COMPARISONS WITH OTHER OFFERINGS, INSIST ON THE JUST QUALITY OF CONSTRUCTION. FOR ADDITIONAL INFORMATION REGARDING THE COMPLETE LINE OF **JUST** SINKS, FAUCETS AND DRAINS, VISIT OUR WEB SITE AT www.justmfg.com

JUST MANUFACTURING COMPANY
9233 KING STREET . FRANKLIN PARK . ILLINOIS . 60131-2111
PH: 847-678-5150 . FAX: 847-678-6817
E-MAIL: custserv@justmfg.com . www.justmfg.com