

**RESILIENT
WEDGE VALVES**

CLOW VALVE COMPANY

**CLOW AWWA Resilient Wedge Gate Valves
Meet or Exceed the Requirements of
AWWA Standard C509**

Size Range	Water Working Pressure psi	Bubble Tight Test psi	Hydrostatic Shell Test psi
AWWA 2"-12"	250	250	500
ULFM 2 1/2"-12"	200	200	400

Available in either non-rising stem, outside screw & yoke.

Available End Connections & Size Range

Figure No.

FLG End (NRS)	2"-12"	F-6102
M.J.	2"-12" (except 2 1/2")	F-6100
FLG & M.J.	3"-12"	F-6106
Push-on for PVC (SDR)	2"-12"	F-6110
FLG End (OS & Y)	2"-12"	F-6136
M.J. for Tapping	3"-12"	F-6114
Tyton for D.I. & C900 PVC	4"-12"	F-6112
M.J. Cutting-in	4"-12"	F-6111
Tyton for D.I. X FLG	4"-12"	F-6113
Threaded	2"-3"	F-6103

Accessories (Illustrated in the Gate Valve Section)

Indicator Posts	2" Sq. Operating Nuts
"T" Handles	Handwheels
Stem Guides	Extension Stems
Electric Motor Actuators	Floor Boxes
	Chain Wheels
	Floorstands (non-rising stem)

MODEL	2639	AWWA	C509	FULL BODY DUCTILE IRON
MODEL	2640	AWWA	C509	FULL BODY GRAY IRON

2640-100
A 6/23/14

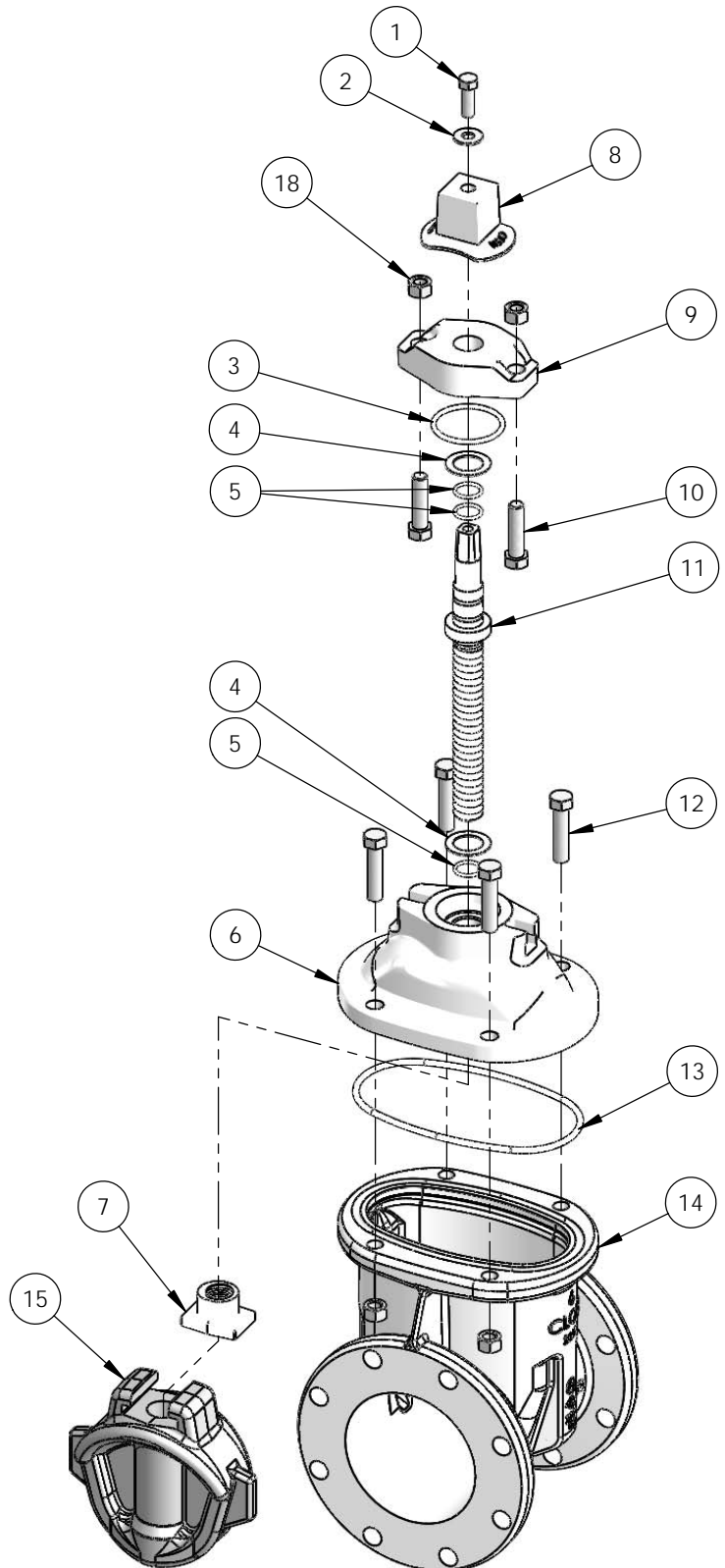
Complies with applicable requirements of AWWA C509

2"-12" R/S VALVE NRS
EXPLODED VIEW MATERIAL LIST

CLOW VALVE COMPANY

MODELS 2639 & 2640

ITEM NO.	DESCRIPTION	Material - 2639	Material - 2640	QTY.
1	Hex Head Bolt	Stainless Steel	Stainless Steel	1
2	Flat Washer	Stainless Steel	Stainless Steel	1
3	O-Ring	Rubber	Rubber	1
4	Thrust Washer	Delrin	Delrin	2
5	O-Ring	Rubber	Rubber	3
6	Cover	Ductile Iron	Gray Iron	1
7	Stem Nut	Copper Alloy	Copper Alloy	1
8	Operating Nut	Gray Iron	Gray Iron	1
9	Follower Plate	Ductile Iron	Ductile Iron	1
10	Hex Head Bolt	Stainless Steel	Stainless Steel	2
11	Stem	Copper Alloy	Copper Alloy	1
12	Cover Bolt	Stainless Steel	Stainless Steel	--
13	Cover O-Ring	Rubber	Rubber	1
14	Body	Ductile Iron	Gray Iron	1
15	Wedge	Ductile Iron / Rubber	Ductile Iron / Rubber	1
18	Hex Nut	Stainless Steel	Stainless Steel	6



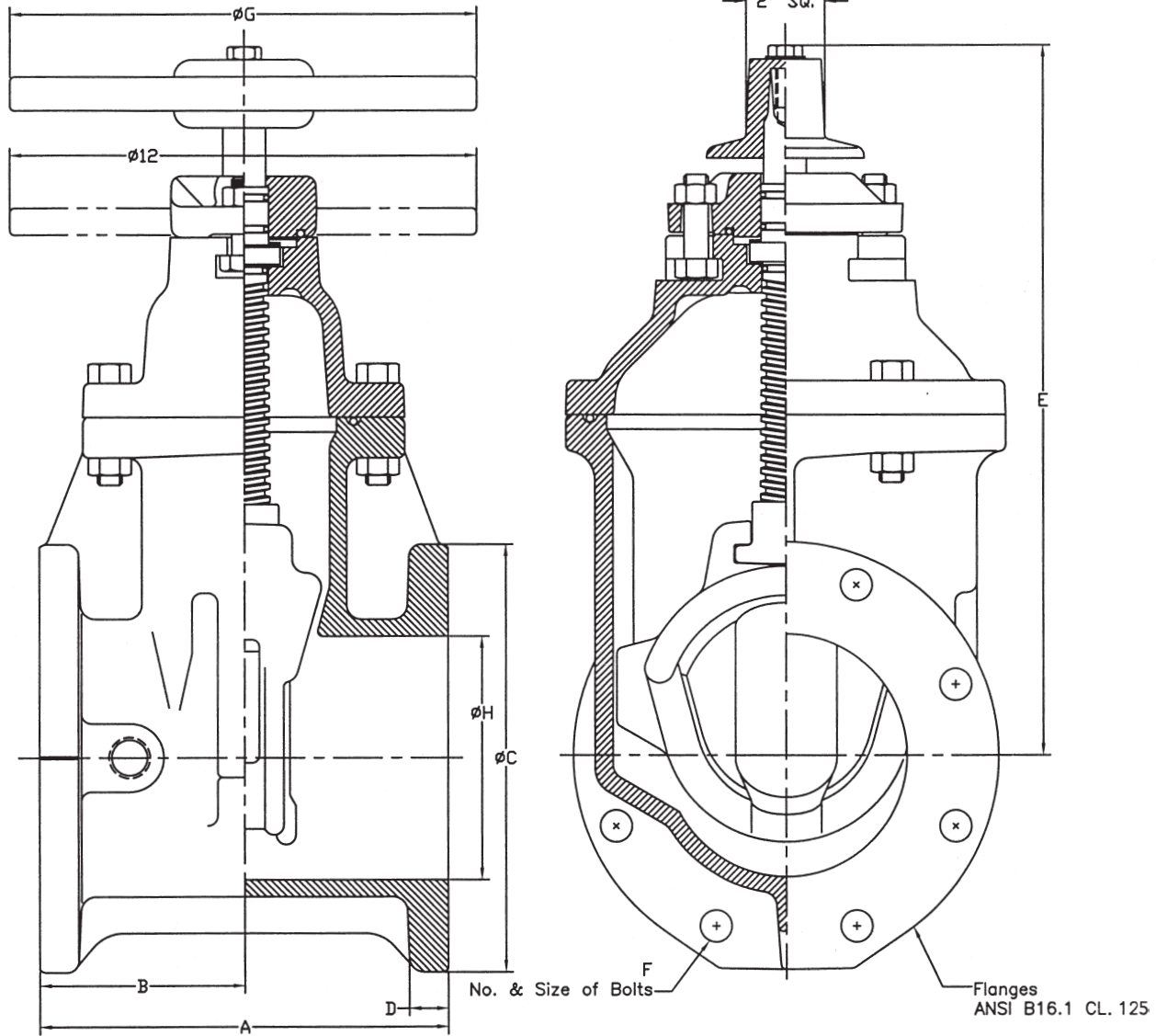
Complies with applicable requirements of AWWA C509

2"-12" R/W VALVE FLANGED ENDS
GENERAL DIMENSION

CLOW VALVE COMPANY

MODEL 2639 & 2640

F-6102



VALVE SIZE	A	B	C	D	E	F	G	H
2	7	3½	6	⅝	10⅞	4-⅝	7¼	2
2½	7½	3¾	7	1⅛	11⅞	4-⅝	7¼	2½
3	8	4	7½	¾	12⅞	4-⅝	10	3
4	9	4½	9	1⅛	14¾	8-⅝	10	4¼
6	10½	5¼	11	1	19	8-¾	12	6¼
8	11½	5¾	13½	1⅞	22½	8-¾	14	8¼
10	13	6½	16	1¾	26½	12-⅞	18	10¼
12	14	7	19	1¼	30	12-⅞	18	12¼