

KOHLER®

Kathryn®
Under-Mount Bathroom Sink
K-2297

Components

Additional included component/s: Basin clamp assembly.



ADA

CSA B651

OBC

Codes/Standards

ASME A112.19.2/CSA B45.1

ADA

ICC/ANSI A117.1

CSA B651

OBC

All applicable US Federal and State material regulations

KOHLER® One-Year Limited Warranty

See website for detailed warranty information.

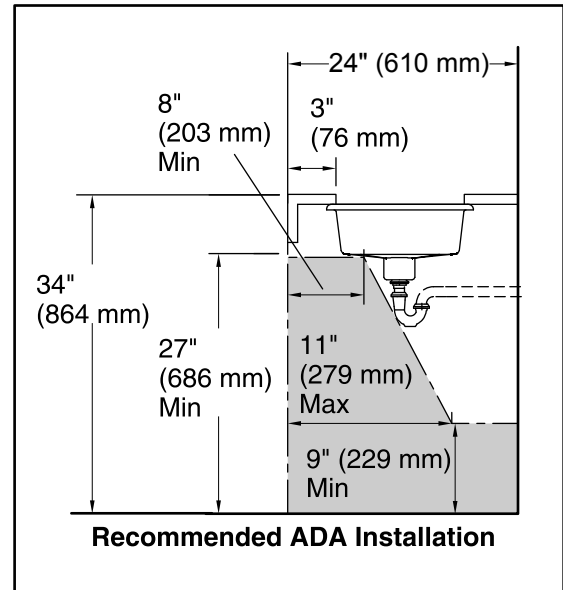
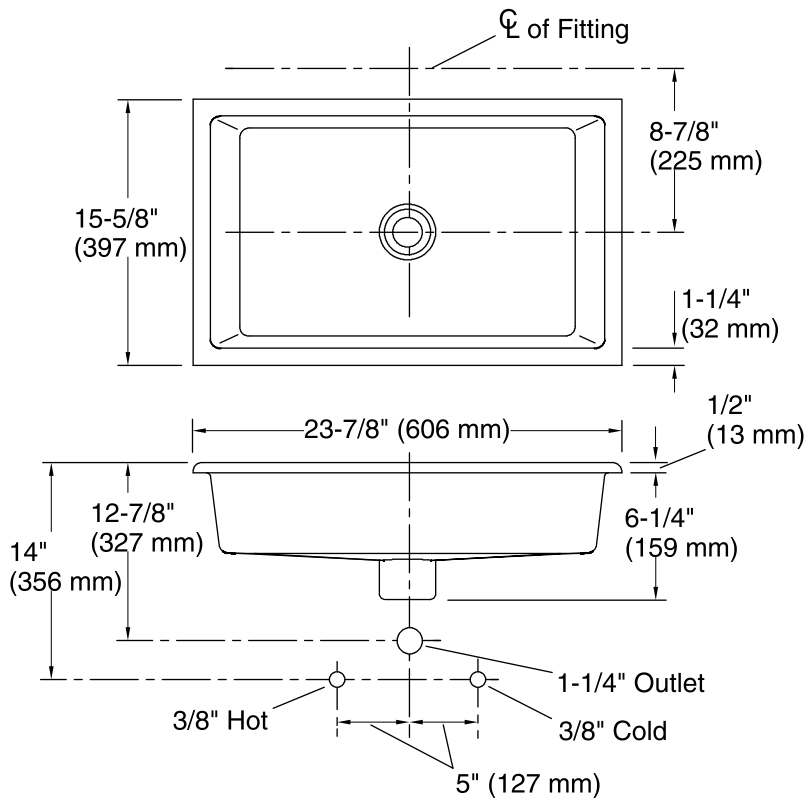
USA/Canada: 1-800-4KOHLER (1-800-456-4537)

Kohler Co. reserves the right to make revisions without notice to product specifications.

For the most current Specification Sheet, go to www.kohler.com.

4-8-2016 02:17

THE BOLD LOOK
OF **KOHLER®**



Technical Information

All product dimensions are nominal.

Bowl configuration:	Single
Installation:	Under-mount
Bowl area (Only)	Length: 21-3/8" (543 mm) Width: 13-1/8" (333 mm) Bowl depth: 4-7/8" (123 mm) With overflow: Yes Water depth: 3-5/16" (84 mm)
Bowl area	With overflow: Yes
Drain hole:	1-3/4" (44 mm)
Template:	Under-mount, 1241343-7, not required, included

Notes

Install this product according to the installation guide.

NOTICE: Countertop manufacturer or cutter must use the current product template available at www.kohler.com, or by calling 1-800-4KOHLER. Kohler Co. is not responsible for cutout errors when the incorrect cutout template is used.

Select a faucet with a minimum spout reach of 4-5/8" (117 mm). Refer to the faucet rough-in dimensions to ensure the spout will reach over the bathroom sink rim into the basin.

ADA, OBC, CSA B651 compliant when installed to the specific requirements of these regulations.