



C100A



JOB NAME: _____

DATE: _____

TYPE: _____

DESCRIPTION

Die cast round covers with one or three 1/2" holes. Fit 4" round boxes. Supplied with thick foam rubber gasket and two #10-24 brass screws. 3 hole cover comes with one die cast 1/2" close-up plug.

SPECIFICATIONS

Covers:

Precision die cast aluminum or molded polycarbonate plastic with 1/2" threaded hole

Gasket:

1/8" thick closed cell silicone rubber for long lasting seal won't crumple or break

Replacement Plugs:

Available for round and rectangular covers and boxes

Screws:

10-24 Brass Round Head Phillips/slotted

UL Listing:

Suitable for wet locations

Hole Count:

1 Hole

Color:

Bronze

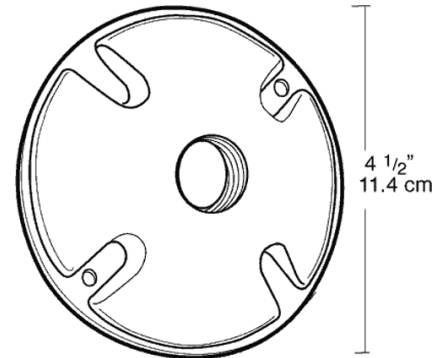
Patents:

RAB sensor and fixture designs are protected under U.S. and International Intellectual Property laws

Weight:

0.15

DIMENSIONS



Note: Specifications may change without notice

RAB Lighting, Inc. • 170 Ludlow Ave • Northvale, NJ 07647 • Tel: 888 RAB-1000 • Fax: 888 RAB-1232 • www.rabweb.com

© 2007