



LIQUID STORAGE TANKS / 2017



WATER

CHEMICALS

AGRICULTURE

INDUSTRY



NORWESCO is proud to be the world's largest manufacturer of molded poly tanks. For over 38 years, our customers have relied on Norwesco tanks for premium quality and reliability in performance.

Norwesco tanks are manufactured to strict quality guidelines to ensure years of high-performance use. Rugged, impact-resistant, one-piece seamless polyethylene construction make our tanks suitable for the storage and/or transport of most liquid chemicals. Norwesco tanks are manufactured using resins that meet FDA specifications to ensure safe storage of potable water. Norwesco tanks will be delivered to you with a fitting installed when applicable, but may also be ordered without a fitting.

Our goal is to make it easy and pleasant to do business with Norwesco. We consider our relationship with our customers to be one of our most valuable assets.

### TABLE OF CONTENTS

Vertical Storage Tanks . . . . . 2-3  
 Above Ground  
     Water Storage Tanks . . . . . 4  
 Horizontal Leg Tanks . . . . . 5  
 Drainable Leg Tanks . . . . . 6  
 Elliptical Leg Tanks . . . . . 7  
 Elliptical Tanks . . . . . 8  
 PCO Tanks . . . . . 8  
 Flat Bottom Utility Tanks . . . . . 9  
 Loaf Tanks . . . . . 10  
 Pickup Truck Tanks . . . . . 10  
 Spot Sprayer Tanks . . . . . 10  
 Total Drain Tanks . . . . . 10  
 Applicator Tanks . . . . . 11  
 Inductor Tanks . . . . . 12  
 Below Ground Holding Tanks . . 12  
 Specialty Flat Bottom  
     Hauling Tanks . . . . . 13  
 Specialty Water Hauling Tanks . 13  
 Free Standing Tanks . . . . . 13  
 Cone Bottom Tanks . . . . . 14-15  
 Containment Basins . . . . . 16  
 Specialty Sphere Tanks . . . . . 16  
 Chemical Injection  
     Tank Systems . . . . . 16  
 Lids . . . . . 17  
 Bulkhead Fittings . . . . . 18  
 Bolted Fittings . . . . . 19

## VERTICAL STORAGE TANKS

Vertical storage tanks are most frequently used for bulk storage and mobile nursing applications. Norwesco vertical tanks feature tie-down slots, built-in graduated gallon indicators, an offset fill-opening and a self-vented, slosh-proof lid.

### SMALL VERTICAL STORAGE TANKS

	GALLON CAPACITY	DIAMETER	OVERALL HEIGHT	FILL OPENING	OUTLET/ DRAIN	PREMIUM WEIGHT PART NO. WHITE	HEAVY WEIGHT PART NO. BLUE
<b>NEW</b>	10 □	12 "	26 "	8 "	¾ "	44844	—
<b>NEW</b>	20 □	16 "	28 "	8 "	¾ "	44846	—
	22 □	20 "	20 "	8 "	¾ "	43608	—
	25 □	18 "	29 "	5 "	¾ "	41867	—
<b>NEW</b>	40 □	18 "	42 "	8 "	¾ "	44848	—
<b>NEW</b>	45 □	20 "	37 "	5 "	¾ "	44850	—
	50 □	18 "	53 "	5 "	¾ "	41865	—
	65 □	23 "	43 "	8 "	1¼ "	45192	—
	75 □	23 "	49 "	8 "	1¼ "	41863	—
	100 □	28 "	43 "	8 "	1¼ "	41861	—
	105 □	23 "	63 "	8 "	2 "	40803	—
	120	38 "	31 "	5 "	1¼ "	40318	—
	130	32 "	46 "	8 "	1¼ "	44102	—
	150	30 "	56 "	8 "	1¼ "	41859	—
<b>NEW</b>	160	28 "	69 "	8 "	2 "	44536	—
	165	31 "	56 "	16 "	2 "	40281	—
	200	30 "	72 "	8 "	2 "	41856	—
	210	32 "	67 "	16 "	2 "	47401	—
	220	42 "	44 "	5 "	1¼ "	40320	—
<b>NEW</b>	225	31 "	77 "	8 "	2 "	44538	—
	250	30 "	89 "	8 "	2 "	41854	—
	300	35 "	79 "	16 "	2 "	40213	—
	305	46 "	50 "	16 "	2 "	40302	—
	310	32 "	94 "	16 "	2 "	43625	—
	500	48 "	73 "	16 "	2 "	40148	40150
	550	67 "	44 "	16 "	2 "	40023	—
	750	48 "	103 "	16 "	2 "	40606	—
	850	48 "	118 "	16 "	2 "	42214	—
	1000	64 "	80 "	16 "	2 "	40152	40154
	1000	72 "	66 "	16 "	2 "	44111	—
<b>NEW</b>	1050	48 "	152 "	16 "	2 "	44818	44820
	1100	87 "	53 "	16 "	2 "	40070	40081
	1100 G	87 "	53 "	16 "	2 "	42591	42593
	1250	60 "	114 "	16 "	2 "	44356	44358
	1500	64 "	116 "	16 "	2 "	40144	40146
	1505	60 "	135 "	16 "	2 "	44259	44261
	1550	87 "	67 "	16 "	2 "	40235	40236
	1550 G	87 "	67 "	16 "	2 "	42595	42597
	1700	87 "	74 "	16 "	2 "	40010	40012

□ May ship UPS    G = Gusset Top

**PLEASE NOTE:**

Tank availability may vary according to manufacturing location. Please contact Norwesco Customer Service or your Norwesco distributor for specific details. Tank dimensions and capacities may vary slightly and are subject to change without notice.

## LARGE VERTICAL STORAGE TANKS

GALLON CAPACITY	DIAMETER	OVERALL HEIGHT	FILL OPENING	OUTLET/ DRAIN	PREMIUM WEIGHT PART NO. WHITE	HEAVY WEIGHT PART NO. BLUE
2000	64"	152"	16"	2"	47109	47564
2000	90"	84"	16"	2"	44125	44127
2100	87"	89"	16"	2"	40178	40241
2100	102"	69"	16"	2"	41399	—
2500	95"	91"	16"	2"	40051	40052
2500	102"	79"	22"	2"	42382	42384
3000	95"	109"	16"	2"	40754	40755
3000	95"	109"	16"	3"/2"	43092	43093
3000	102"	93"	16"	2"	45246	42380
3000	102"	93"	22"	2"	43136	43138
<b>NEW</b> 3450	96"	120"	16"	2"	44668	44670
<b>NEW</b> 3600	87"	151"	16"	3"/2"	44790	44792
4000	102"	125"	16"	3"/2"	40312	—
4200	102"	131"	16"	3"/2"	41403	—
<b>NEW</b> 4995	142"	88"	16"	3"/2"	44822	44824
5000	102"	152"	22"	3"/2"	40164	40166
5000	141"	86"	16"	3"/2"	40941	43833
5500	138"	92"	16"	3"/2"	45086	—
6000	102"	182"	16"	3"/2"	40226	40233
6100	119"	140"	16"	3"/2"	40659	40661
6500	119"	150"	16"	3"/2"	40224	40232
6500	120"	147"	16"	3"/2"	42315	42317
6502	102"	196"	16"	3"/2"	47618	47620
7800	119"	176"	16"	3"/2"	40663	40665
8400	119"	188"	16"	3"/2"	42060	42062
8400	120"	187"	16"	3"/2"	44395	44397
9000	141"	146"	22"	3"/2"	43618	43620
10000	141"	160"	22"	3"/2"	43128	43130
10500	130"	202"	16"	3"/2"	47638	47640
11000	144"	167"	22"	3"/2"	44009	44011
12000	141"	193"	22"	3" *	43919	43921
13000	144"	198"	22"	3" *	44015	44017
15000	165"	186"	22"	3" *	43821	43823
15500	141"	244"	22"	3" *	43941	43943
20000	165"	242"	22"	3" *	43825	43827

\*316 Stainless Steel Bolted Fitting

**PLEASE NOTE:**

Tank availability may vary according to manufacturing location. Please contact Norwesco Customer Service or your Norwesco distributor for specific details. Tank dimensions and capacities may vary slightly and are subject to change without notice.



VERTICAL STORAGE TANKS



PREMIUM VERTICAL STORAGE TANK



PREMIUM VERTICAL STORAGE TANK



HEAVY WEIGHT VERTICAL STORAGE TANK

## ABOVE GROUND WATER STORAGE TANKS - BLACK OR DARK GREEN

Norwesco water tanks are manufactured using resins that meet FDA specifications to ensure safe storage of potable water. The black or green color limits light penetration, which reduces the growth of water-borne algae. These tanks are rated at 8 pounds per gallon, which means that they are for WATER STORAGE ONLY! They should not be used for chemicals, fertilizers or any other product. Where applicable, the tanks will carry the NSF approval. Please contact your distributor for more specific information regarding NSF approval.

	GALLON CAPACITY	DIAMETER	OVERALL HEIGHT	FILL OPENING	BOTTOM FITTING	TOP FITTING	BLACK PART NO.	DARK GREEN PART NO.	CA GREEN PART NO.
	120	38"	31"	5"	2"	1½"	43858	43860	43862
	165∞	31"	56"	16"	2"	–	43864	43866	43868
	200∞	30"	72"	8"	2"	–	44107	–	44109
	220	42"	44"	5"	2"	1½"	43870	43872	43874
	305	46"	50"	16"	2"	1½"	40702	40863	41362
	500	48"	73"	16"	2"	1½"	43101	43105	43103
	550	67"	44"	16"	2"	1½"	40703	40864	41364
	600	64"	50"	8"	2"	1½"	43800	43802	–
	1000	64"	80"	16"	2"	1½"	40892	41686	43878
	1000	72"	66"	16"	2"	1½"	44113	–	44115
	1075	87"	51"	16"	2"	1½"	43804	43806	–
	1100	87"	53"	16"	2"	1½"	40704	40865	41365
	1350	71"	88"	16"	2"	1½"	40860	40858	–
	1500	95"	58"	16"	2"	1½"	42038	–	42037
	1525	93"	62"	16"	2"	1½"	43808	43810	–
	1550	87"	67"	16"	2"	1½"	40627	40866	41368
	2000	90"	84"	16"	2"	1½"	44129	44131	–
	2100	87"	89"	16"	2"	1½"	44411	44413	44415
<b>NEW</b>	2450	96"	87"	16"	2"	1½"	44656	44658	–
	2500	95"	91"	16"	2"	1½"	40631	40867	41370
	2500	102"	79"	22"	2"	1½"	42040	44133	42039
	2550	93"	95"	16"	2"	1½"	43812	43814	–
<b>NEW</b>	2950	96"	101"	16"	2"	1½"	44660	44662	–
	3000	95"	109"	16"	2"	1½"	40635	40868	41372
	3000	102"	93"	16"	2"	1½"	42042	42604	–
	3000	102"	93"	22"	2"	1½"	43140	44135	42041
<b>NEW</b>	3450	96"	120"	16"	2"	1½"	44664	44666	–
<b>NEW</b>	4995	142"	88"	22"	2"	1½"	44247	44249	–
	5000	102"	152"	16"	2"	1½"	40641	40870	41375
	5000 Peanut Can	119"	112"	22"	2"	1½"	42044	–	42043
	5000 Tuna Can	141"	86"	22"	2"	1½"	40943	–	41377
	6500∞	119"	150"	16"	2"	–	43876	–	43880
	6600	144"	101"	22"	2"	1½"	44117	–	44119
	7750	144"	122"	22"	2"	1½"	44121	–	44123
	10000∞	141"	160"	22"	2"	–	43132	41379	–
	11000∞	144"	167"	22"	2"	–	44013	44023	–
<b>NEW</b>	12000∞	141"	193"	22"	3"½"	–	44810	44812	–
<b>NEW</b>	15500∞	141"	244"	22"	3"½"	–	44814	44816	–

Limited availability. For availability details please visit our website at [www.norwesco.com](http://www.norwesco.com).

∞Includes one bottom fitting only



## HORIZONTAL LEG TANKS

With the broadest leg tank line available, Norwesco manufactures a size that will fit your needs. Used primarily for transport and nursing applications, Norwesco's leg tanks feature molded-in legs that act as "baffles" to reduce sloshing. The 6025 gallon includes a baffle system to minimize fluid sloshing and increase safety aspects of transporting liquid. Support bands are shown below.

GALLON CAPACITY	DIAMETER	OVERALL HEIGHT	LENGTH	FILL OPENING	OUTLET/ DRAIN	NO. OF BANDS	PREMIUM WEIGHT PART NO. WHITE	HEAVY WEIGHT PART NO. BLUE
35 □	20"	23"	29"	5"	¾"	2 optional	45223	—
55 □	23"	26"	34"	5"	¾"	2 optional	41873	—
65 □	23"	26"	43"	5"	¾"	2 optional	45191	—
125	32"	35"	41"	8"	2"	2 optional	40298	—
225	38"	41"	49"	8"	2"	2 optional	40299	—
325	38"	43"	68"	16"	2"	2 optional	40217	—
425	49"	54"	60"	16"	2"	2 optional	42016	—
525 Δ	49"	54"	71"	16"	2"	2 optional	40181	40193
725 *	49"	54"	101"	16"	2"	3 required	40180	40194
925 *	62"	65"	80"	16"	2"	2 required	45209	—
925 * w/sump	62"	69"	80"	16"	2"	2 required	45210	—
1025 *	49"	54"	139"	16"	2"	4 required	40089	40131
1325 *	66"	70"	99"	16"	2"	3 required	41875	41877
1625 *	63"	68"	139"	16"	2"	4 required	40026	40133
1800 * 2CPT	62"	68"	146"	16"	2"	4 required	42990	—
1800 * w/sump, 2CPT	62"	72"	146"	16"	2"	4 required	42992	—
3725 *	92"	97"	145"	16"	3"/2"	4 required	44047	44049
5025 *	92"	96"	190"	16" **	3"/2"	5 required	41879	41881
6025 * w/baffle system	99"	103"	193"	22" ***	3"/2"	5 required	44314	44316

□ May ship UPS      \* Requires full length support and bands      Δ Requires full length support      \*\* 16" hinged lid      \*\*\* 22" hinged lid  
**NOTE:** The 1800 gallon tank consists of two 900 gallon tanks, each with a fitting installed, and a cylindrical "donut" that with the referenced connecting bar at the bottom of this page, holds the two tanks together but does not plumb them together. Ships unassembled.

## HORIZONTAL LEG TANK BANDS

Norwesco bands are custom fabricated to support the Norwesco tanks and are galvanized or powder coated for added corrosion protection. Whether using the tank in a stationary position or for transport, bands are necessary to ensure that the tank retains its shape and integrity. See diagram at right.

TANK SIZE	A	B	C	NO. OF BANDS	PART NO.
35 □	18½"	18½"	21⅜"	2 optional	60520
55 □	22"	22"	26½"	2 optional	61745
65 □	22"	22"	26½"	2 optional	61745
125 □	30¾"	30½"	35"	2 optional	61744
225 □	36½"	36"	42"	2 optional	60478
325 □	36½"	36"	42"	2 optional	60478
425	47¾"	46¼"	52¼"	2 optional	60057
525	47¾"	46¼"	52¼"	2 optional	60057
725	47¾"	46¼"	52¼"	3 required	60057
925	61"	60"	66"	2 required	62852
1025	47¾"	46¼"	52¼"	4 required	60057
1325	64"	64"	70"	3 required	63282
1625	61"	60¾"	67¼"	4 required	60079
1800 *	61"	60"	66"	4 required	62852
3725	89¾"	89½"	93⅞"	4 required	63284
5025	89¾"	89½"	93⅞"	5 required	63284
6025	96"	96¼"	101"	5 required	64085

□ May ship UPS      \* Tank requires one connecting bar, Part No. 63653

**PLEASE NOTE:**  
 Tank availability may vary according to manufacturing location. Please contact Norwesco Customer Service or your Norwesco distributor for specific details.  
 Tank dimensions and capacities may vary slightly and are subject to change without notice.



## DRAINABLE LEG TANKS

When complete drainage is necessary, these are the tanks of choice. They are designed primarily for use on fertilizer and chemical nurse trailers. All Norwesco drainable tanks require full length bottom support as well as support bands. Support bands are shown below.

GALLON CAPACITY	DIAMETER	OVERALL HEIGHT	LENGTH	FILL OPENING	OUTLET/ DRAIN	NO. OF BANDS	PREMIUM WEIGHT PART NO. WHITE	HEAVY WEIGHT PART NO. BLUE
710 (horizontal)	47"	57"	104"	16"	2" •	3 required	40655	40657
1010 (horizontal)	47"	58"	140"	16"	2" •	4 required	40393	40395
1310 (horizontal)	66"	75"	99"	16"	—	3 required	41871	41872
1315 (elliptical)	66"	60"	126"	16"	—	3 required	42925	42926
1610 (elliptical)	69"	63"	140"	16"	—	4 required	40806	40808
2010 (elliptical)	69"	74"	140"	16"	—	4 required	43651	43652
2610 (elliptical)	90"	79"	140"	16" *	—	4 required	41382	41383
3210 (elliptical)	92"	75"	178"	16" *	—	4 required	40822	40824

\*16" hinged lid •Fitting is loose, not installed

## DRAINABLE LEG TANK BANDS

Norwesco bands are custom fabricated to support the Norwesco tanks and are galvanized or powder coated for added corrosion protection. Whether using the tank in a stationary position or for transport, bands are necessary to ensure that the tank retains its shape and integrity.

TANK SIZE	A	B	C	NO. OF BANDS	PART NO.
710 α	46¼"	45"	51"	3 required	60584 short
1010 α	46¼"	45"	51"	2 required	60584 short
1010 α	48"	45"	51"	2 required	60585 long
1310	64"	64"	70"	3 required	63282
1315	49¾"	63½"	69½"	3 required	63642
1610	49"	66"	72"	4 required	62434
2010	59"	66"	72"	4 required	63846
2610 *	58"	87½"	91⅞"	2 required	63044 short
2610 *	62"	87½"	91⅞"	2 required	63045 long
3210 *	56"	89½"	92¾"	2 required	62347 short
3210 *	60"	89½"	92¾"	2 required	62348 long

αMay ship UPS ∞2 short and 2 long band are required for 1 tank

## LADDERS

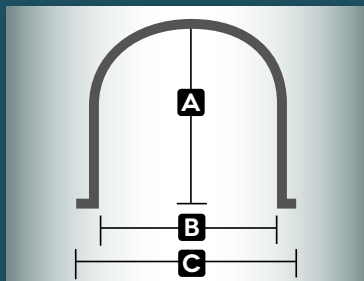
DESCRIPTION	TANK SIZE	PART NO.
Ladder (optional)	2610	63047
Ladder (optional)	3210	63047

### PLEASE NOTE:

Tank availability may vary according to manufacturing location. Please contact Norwesco Customer Service or your Norwesco distributor for specific details. Tank dimensions and capacities may vary slightly and are subject to change without notice.



1010 DRAINABLE LEG / BANDS



DRAINABLE LEG TANK BANDS

## ELLIPTICAL LEG TANKS

This elliptical tank style is designed to provide the greatest capacity with the lowest center of gravity, making it the best design available for transporting larger volumes. Norwesco elliptical tanks feature molded-in legs that act as "baffles" to reduce sloshing and provide increased stability during transport. The 3250 gallon includes a baffle system to minimize fluid sloshing and increase safety aspects of transporting liquid. Norwesco elliptical leg tanks require full length bottom support as well as support bands, shown below.

	GALLON CAPACITY	WIDTH	OVERALL HEIGHT	LENGTH	FILL OPENING	OUTLET/ DRAIN	PREMIUM WEIGHT PART NO. WHITE	HEAVY WEIGHT PART NO. BLUE
	135	36"	26"	56"	8"	1 1/4"	44804	—
	235	40"	32"	66"	8"	2"	44806	—
<b>NEW</b>	335	48"	33"	71"	16"	2"	42339	—
<b>NEW</b>	535	57"	39"	80"	16"	2"	42353	—
	1035	79"	54"	89"	16"	2"	40191	—
	1235	66"	53"	128"	16"	2"	40239	—
	1335	66"	55"	126"	16"	2"	42927	42929
	1635	71"	58"	142"	16"	2"	40387	40388
	1635 Black	71"	58"	142"	16"	2"	40602	41890
	2035	84"	56"	142"	16"	2"	40618	40623
	2035 Black	84"	56"	142"	16"	2"	40621	40775
	2635	90"	72"	140"	16"	3"/2"	40547	40283
	2635 Black	90"	72"	140"	16"	3"/2"	—	41294
	3135	88"	80"	150"	16"	3"/2"	40686	40688
	3135 Black	88"	80"	150"	16"	3"/2"	—	41417
<b>NEW</b>	3250 w/baffle system	88"	82"	152"	22" **	3"/2"	44597	44599
<b>NEW</b>	3250 Black w/baffle system	88"	82"	152"	22" **	3"/2"	44601	44603
	4035	92"	75"	192"	16" *	3"/2"	41267	41269
	4035 Black	92"	75"	192"	16" *	3"/2"	—	42011

\*16" hinged lid \*\* 22" hinged lid

## ELLIPTICAL LEG TANK BANDS

Norwesco bands are custom fabricated to support the Norwesco tanks and are galvanized or powder coated for added corrosion protection. Whether using the tank in a stationary position or for transport, bands are necessary to ensure that the tank retains its shape and integrity.

TANK SIZE	A	B	C	NO. OF BANDS	PART NO.
135	21"	35"	39 1/16"	2 required	64164
235	27 1/4"	38"	45 5/16"	2 required	64165
335	29"	46 1/2"	52 1/2"	2 required	63546
535	35"	55 1/2"	61 1/2"	2 required	63547
1035	47 1/4"	77"	83"	3 required	60325
1235	47 3/4"	64 3/4"	70 3/4"	4 required	60477
1335	49 3/4"	63 1/2"	69 1/2"	3 required	63642
1635	50 3/8"	68"	74"	4 required	60586
2035 †	51 1/4"	81 1/2"	86 3/4"	4 required	62079
2035 ††	51 1/4"	81 1/2"	86 3/4"	4 required	63840
2635	65 1/4"	87 1/2"	94"	4 required	60353
3135 / 3250 *	75 1/4"	85 1/2"	92"	4 required	62097
3135 / 3250 **	74 1/4"	85 1/2"	92"	4 required	63620
4035	70"	89 1/2"	96"	4 required	62832

† For tanks manufactured in MN, OK, TX  
†† For tanks manufactured in CA, GA, OH, UT

\*For tanks manufactured in GA, OH  
\*\*For tanks manufactured in MN, OK, TX, UT

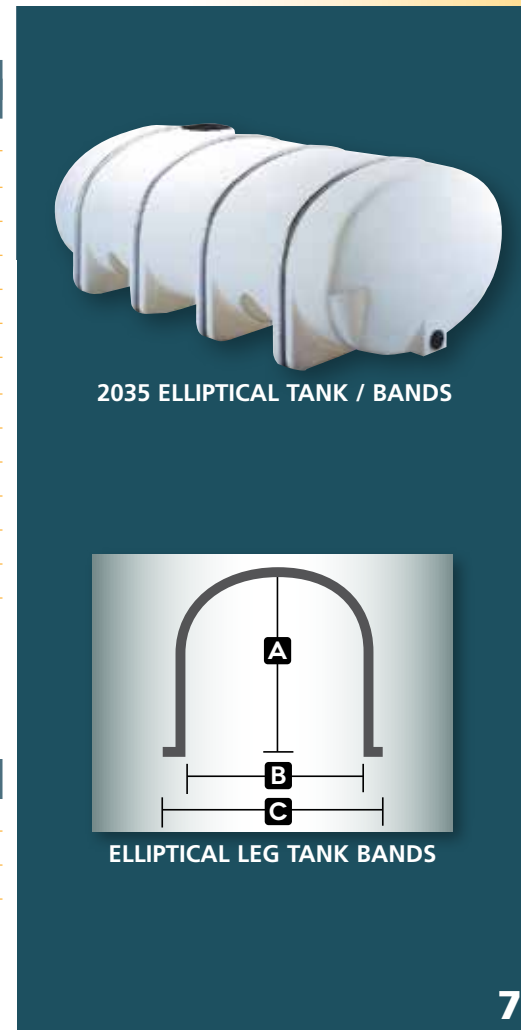
## LADDERS

DESCRIPTION	TANK SIZE	PART NO.
Ladder (optional)	2635 & 3135	60354
Ladder (optional)	4035	63033
Adapter kit for ladder Δ	3135	62301

ΔThis kit is required when using the ladder on the 3135 gallon tank

### PLEASE NOTE:

Tank availability may vary according to manufacturing location. Please contact Norwesco Customer Service or your Norwesco distributor for specific details. Tank dimensions and capacities may vary slightly and are subject to change without notice.



## ELLIPTICAL TANK

Designed for larger volume applicator needs, the Norwesco elliptical tanks feature a low profile design and a low center of gravity for excellent visibility in the field and increased stability when towed. A deep sump permits complete drainage and the tanks feature an 8" or 16" fill-opening. Please refer to information below for steel supports.

GALLON CAPACITY	WIDTH	OVERALL HEIGHT INCLUDING SUMP	LENGTH	SUMP DEPTH	FILL OPENING	OUTLET/ DRAIN	PREMIUM WEIGHT PART NO. WHITE
200	40"	30"	66"	¾"	8"	1¼" & 1¼"	41252
300	48"	36"	70"	3"	16"	1¼" & 1¼"	40327
500	57"	44"	82"	5"	16"	1¼" & 1¼"	40328
500	57"	44"	82"	2"	16"	1¼" & 1¼"	40328
750	69"	48"	88"	3"	16"	2"	40329
1000	78"	55"	90"	3"	16"	2"	40330
1600 *	78"	54"	138"	2½"	16"	2"	47111

\*Includes 1 stainless steel baffle

NOTE: Skid not included with tank. See below for skids.

## ELLIPTICAL TANK SKIDS

Skids come with bands and bolts. See dimensional drawings at left.

TANK SIZE	TANK PART NO.	A	B	C	D	E	F	PART NO.
200	41252	4"	24"	52"	57"	2" x 68"	8"	63015
300	40327	4"	34"	46¼"	54¼"	2" x 76"	8"	63016
500	40328	4"	34"	60"	68"	2" x 96"	8"	63018
750	40329	4"	38"	69½"	78"	2" x 112"	8"	60371
1000	40330	4"	46"	60"	72"	2" x 130"	8"	60372

200 and 300 are galvanized; 500 and larger are black painted steel.

Replacement bands and hardware are available. Please contact Norwesco Customer Service for details.

## PCO TANKS

A multi-purpose tank, the PCO is well suited for nursery, agricultural and lawn care applications. These tanks feature self-supporting legs and do not require any saddles or steel supports. Flat spots are molded into both ends to provide mounting areas for agitation equipment.

### SMOOTH SIDE WALL PCO TANKS

GALLON CAPACITY	WIDTH	OVERALL HEIGHT	LENGTH	FILL OPENING	PREMIUM WEIGHT PART NO. WHITE
30 □	19"	23"	25"	5"	41254
50 □	19"	22"	38"	8"	40664
100 □	30"	28"	38"	8"	40668
150	36"	28"	48"	8"	40669
200	36"	37"	48"	8"	41413
300	36"	37"	69"	16"	41381

### RIBBED SIDE WALL PCO TANKS

GALLON CAPACITY	WIDTH	OVERALL HEIGHT	LENGTH	FILL OPENING	PREMIUM WEIGHT PART NO. WHITE
50 □	19"	23"	38"	8"	42834
100	30"	30"	38"	8"	42835
150	37"	29"	48"	16"	42836
200	37"	37"	48"	16"	42837

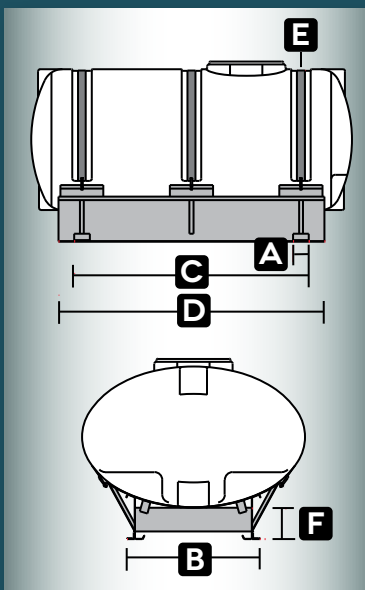
□ May ship UPS

#### PLEASE NOTE:

Tank availability may vary according to manufacturing location. Please contact Norwesco Customer Service or your Norwesco distributor for specific details. Tank dimensions and capacities may vary slightly and are subject to change without notice.



750 ELLIPTICAL TANK / SKID



ELLIPTICAL TANK SKIDS



50 SMOOTH SIDE WALL PCO



## FLAT BOTTOM UTILITY TANKS

The Flat Bottom Utility tanks are all purpose tanks used for a variety of applications. They are the perfect choice when looking for a tank to put in the bed of a pickup truck. They are often used in agricultural, industrial, manufacturing, auto detailing and liquid transportation industries for storage of water, wastewater, fertilizer and chemicals.

	GALLON CAPACITY	WIDTH	OVERALL HEIGHT	LENGTH	FILL OPENING	OUTLET/ DRAIN	PREMIUM WEIGHT PART NO. WHITE
<b>NEW</b>	7 □	9"	18"	14"	5"	—	44852
<b>NEW</b>	16 □	14"	17"	20"	5"	—	44853
<b>NEW</b>	20 □	11"	34"	15"	5"	—	44854
	26 □	18"	20"	25"	8"	¾"	43835
<b>NEW</b>	35 □	15"	43"	15"	5"	1"	44873
	45 □●	18"	22"	38"	5"	1"	43837
	50 □	19"	23"	38"	8"	1"	42341
	52 □	24"	15"	43"	5"	1"	43839
<b>NEW</b>	55 □●	18"	44"	18"	5"	1"	44855
	68 □	27"	17"	42"	5"	1"	43841
	100□	27"	29"	43"	8"	1"	42343
	110 Low profile	35"	18"	48"	5" *	1"	42349
	150	36"	29"	48"	8"	1"	42345
	200	36"	38"	48"	8"	1"	42347
<b>NEW</b>	200 Low profile	48"	20"	60"	8"	—	44875
	300 Low profile	56"	19"	95"	8"	—	44233
<b>NEW</b>	500 Low profile	52"	23"	130"	8"	—	44643

□ May ship UPS    \*5" Hinged lid    ●Fitting is loose, not installed.

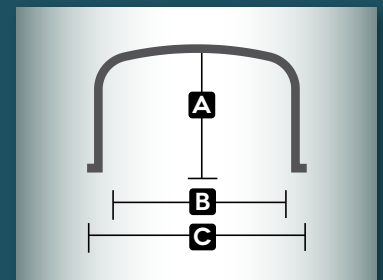
## FLAT BOTTOM UTILITY TANK BANDS

TANK SIZE	A	B	C	NO. OF BANDS	PART NO.
50 □	19"	18½"	23"	2 optional	63551
100 □	24"	25"	29½"	2 optional	63552
150 □	24"	34½"	39"	2 optional	63553
200 □	33"	34½"	39"	2 optional	63554

□ May ship UPS



68 FLAT BOTTOM UTILITY



FLAT BOTTOM UTILITY TANK BANDS

### PLEASE NOTE:

Tank availability may vary according to manufacturing location. Please contact Norwesco Customer Service or your Norwesco distributor for specific details. Tank dimensions and capacities may vary slightly and are subject to change without notice.



200 LOAF



300 LOAF



500 LOAF



210 PICKUP



425 PICKUP



14 & 25 SPOT SPRAYER



5 TOTAL DRAIN

## LOAF TANKS

The loaf tanks are designed for a variety of applications. Its rectangular shape allows for placement within pickup beds or it may be mounted on various equipment trailers for use as a mobile water supply. This line of tanks may also be used in a variety of stationary storage applications.

GALLON CAPACITY	WIDTH	OVERALL HEIGHT	LENGTH	FILL OPENING	PREMIUM WEIGHT PART NO. WHITE
50 □	27"	17"	41"	8"	43610
100 □	27"	30"	41"	8"	43611
200	36"	29"	48"	8"	43612
300	42"	30"	63"	8"	43613
500	48"	31"	92"	8"	43843

□ May ship UPS

## PICKUP TRUCK TANKS

Designed to fit full-size, American made pickups, the 325 and 425 sizes have low profiles for better rear vision. They feature fill openings offset to the side of the tank for safety and easy access. A tough circular design adds strength. The 210 gallon tank fits both "mini" pickups and full-size models. Depending on which way the tank is turned, the bottom width can be either 39" or 48".

GALLON CAPACITY	TOP WIDTH OR DIAMETER	BOTTOM WIDTH OR DIAMETER	OVERALL HEIGHT	FILL OPENING	OUTLET DRAIN	PREMIUM WEIGHT PART NO. WHITE
210	60"/51"	48"/39"	29"	8"	2"	40300
<b>NEW</b> 305	60"	48"	30"	8"	2"	44808
325	62"	49"	33"	8"	2"	40160
425	65"	49"	39"	8"	2"	40102

## SPOT SPRAYER TANKS

The spot sprayers feature threaded inserts on the bottom of the tank for mounting purposes, on one side for wand/gun placement and on the top for a 12 volt pump.

GALLON CAPACITY	WIDTH	OVERALL HEIGHT	LENGTH	FILL OPENING	OUTLET DRAIN	PREMIUM WEIGHT PART NO. WHITE
14 □	14"	15"	31"	5"	—	45115
25 □	18"	18"	36"	5"	—	62080

□ May ship UPS

## TOTAL DRAIN TANKS

Total Drain tanks are most frequently used for bulk dispensing applications when complete drainage is needed.

GALLON CAPACITY	WIDTH	OVERALL HEIGHT	LENGTH	FILL OPENING	OUTLET DRAIN	PREMIUM WEIGHT PART NO. WHITE
5 □	11"	18"	11"	8"	1¼"	42321
10 □	13"	21"	13"	8"	1¼"	42351
12 □	14"	15"	18"	5"	¾"	60521

□ May ship UPS

NOTE: The 5 gallon square is packaged 4 per box. The 10 gallon square is packaged 2 per box.

### PLEASE NOTE:

Tank availability may vary according to manufacturing location. Please contact Norwesco Customer Service or your Norwesco distributor for specific details. Tank dimensions and capacities may vary slightly and are subject to change without notice.

## APPLICATOR TANKS

Whether you're looking for a new or replacement tank, you'll find it in the Norwesco line. Applicator tanks are most often used when complete drainage is required. They may be used for transporting water, chemicals, fertilizers and other liquids.

GALLON CAPACITY	DIAMETER	OVERALL HEIGHT	LENGTH	FILL OPENING	OUTLET/ DRAIN	PREMIUM WEIGHT PART NO. WHITE
20 □ Δ	15"	18"	31"	5"	¾"	61737
30 □	23"	26"	21"	5"	¾"	41799
55 □	23"	27"	34"	5"	¾"	45193
70 □	23"	26"	44"	5"	¾"	44237
85 □	23"	26"	52"	5"	¾"	45105
100 □ Δ	24"	28"	57"	8"	¾"	60204
110 □	30"	34"	41"	8"	1¼" & 1¼"	45053
150	30"	33"	58"	8"	1¼" & 1¼"	40648
150	32"	35"	46"	8"	1¼" & 1¼"	45117
200	32"	35"	62"	8"	1¼" & 1¼"	45059
200	38"	42"	47"	8"	1¼" & 1¼"	45061
300	38"	41"	68"	8"	1¼" & 1¼"	40135
400	42"	45"	74"	8"	1¼" & 1¼"	40137
500	48"	51"	75"	8"	1¼" & 1¼"	40274
150 Slim line Δ	28"	41"	50"	8"	1¼" & 1¼"	40777
200 Slim line Δ	24"	48"	61"	8"	1¼" & 1¼"	41305
200 Slim line Δ	31"	46"	48"	8"	1¼" & 1¼"	40780

□ May ship UPS    Δ Saddle not available for this tank

## APPLICATOR TANK SADDLE ASSEMBLIES

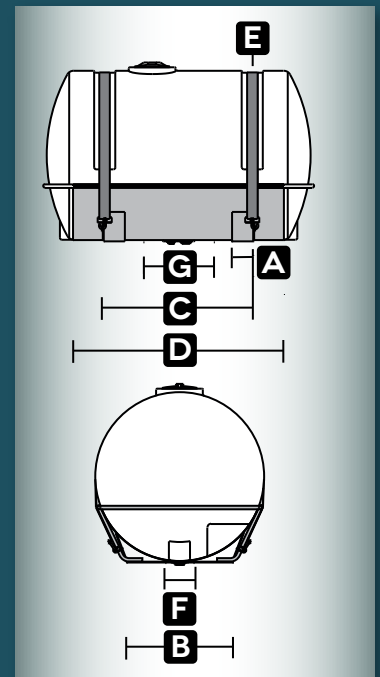
Designed to provide necessary support for the applicator tank during use. Norwesco saddles include polyester straps, buckles and bolts to secure tanks.

TANK SIZE	TANK PART NO.	A	B	C	D	E	F	G	PART NO.
30 □	41799	3"	19"	13½"	13½"	2" x 54"	8"	7¾"	60321
55 □	45193	6"	18⅞"	24"	24"	2" x 48"	—	12"	60303
70 □	44237	6"	18⅞"	24"	24"	2" x 48"	—	2"	60303
85 □	45105	6"	18⅞"	24"	24"	2" x 48"	—	12"	60303
110 □	45053	12"	23¾"	28¾"	34¾"	2" x 72"	—	10¾"	60315
150-30" □	40648	12"	23¾"	28¾"	34¾"	2" x 72"	—	10¾"	60315
150-32" □	45117	12"	23¾"	28¾"	34¾"	2" x 72"	—	10¾"	60315
200-32"	45059	6"	27⅞"	36"	60"	2" x 96"	8"	13¼"	63019
200-38"	45061	6"	24¾"	34"	42"	2" x 96"	—	13¼"	63020
300-38"	40135	6"	24¾"	34"	60"	3" x 96"	8"	12"	63021
400-42"	40137	6"	30⅞"	42½"	60"	3" x 96"	8"	12"	63022
500-48"	40274	6"	30⅞"	42½"	60"	3" x 132"	8"	12"	63023

□ May ship UPS  
Replacement bands and hardware are available. Please contact Norwesco Customer Service for details.



150 X 32" APPLICATOR / SADDLE ASSEMBLY



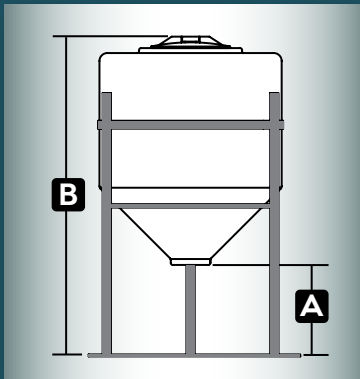
APPLICATOR TANK SADDLE ASSEMBLIES

### PLEASE NOTE:

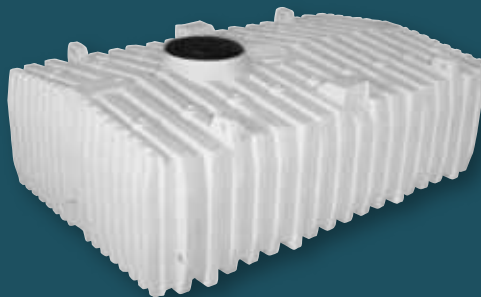
Tank availability may vary according to manufacturing location. Please contact Norwesco Customer Service or your Norwesco distributor for specific details. Tank dimensions and capacities may vary slightly and are subject to change without notice.



15 (24" D) INDUCTOR / STAND



INDUCTOR TANK STAND



BELOW GROUND HOLDING

## INDUCTOR TANKS

Inductor tanks are ideal for mixing applications. The conical bottom enables complete drainage. Steel support stands are shown below.

GALLON CAPACITY	DIAMETER	OVERALL HEIGHT	FILL OPENING	OUTLET/ DRAIN	PREMIUM WEIGHT PART NO. WHITE
15 □	19"	23"	8"	2"	60214
15 □	24"	21"	16"	2"	42064
30 □	24"	28"	16"	2"	42065
35 □	23"	29"	8"	2"	45098
60	24"	42"	16"	2"	42066
60 □	31"	32"	16"	2"	62205
80	32"	37"	16"	2"	47190

□ May ship UPS

## INDUCTOR TANK STANDS

Designed to provide necessary support for the inductor tank during use. Norwesco inductor stands are supplied with all necessary hardware. See dimensional drawings at left.

TANK SIZE	TANK PART NO.	A	B	PART NO.
15 x 19" D □	60214	15½"	38"	60313
15 x 24" D □	42064	13½"	36"	63397
30 x 24" D □	42065	13½"	43"	63397
35 x 23" D □	45098	15"	44"	65517
60 x 24" D □	42066	13¼"	56"	63397
60 x 31" D □	62205	14½"	47"	62204

□ May ship UPS      Stand not available for 80 gallon tank.

## BELOW GROUND HOLDING TANKS

Typically used to store water – both potable and non-potable. They can also be used as a large capacity septic tank or sewage holding tank depending on local codes. The end ribs will accept fittings up to 4" in size. Integral columns in the tank provide excellent structural strength.

GALLON CAPACITY	WIDTH	OVERALL HEIGHT	LENGTH	MANHOLE DIAMETER	PART NO.
2000	98"	51"	126"	20"	42559
<b>NEW</b> 2000	98"	51"	126"	20"	44593
2500	99"	51"	159"	20"	44079
2600	99"	51"	155"	20"	43770
2650 *	99"	81"	155"	20"	43771
3525	102"	51"	211"	20"	44390
<b>NEW</b> 5025	102"	76"	211"	20"	44876
<b>NEW</b> 5025 *	102"	96"	211"	20"	44877

\*Tank includes molded on manhole extension

### PLEASE NOTE:

Tank availability may vary according to manufacturing location. Please contact Norwesco Customer Service or your Norwesco distributor for specific details. Tank dimensions and capacities may vary slightly and are subject to change without notice.

## SPECIALTY FLAT BOTTOM HAULING TANKS

The Flat Bottom Hauling tank is ideal for use on flatbed or drop deck trailers. Large ribs eliminate the need for steel support bands and assist with reducing the sloshing of fluid. The tanks may be used for liquid fertilizer and other transport applications.

GALLON CAPACITY	WIDTH	OVERALL HEIGHT	LENGTH	FILL OPENING	OUTLET/ DRAIN	PREMIUM WEIGHT PART NO. WHITE	HEAVY WEIGHT PART NO. BLUE
1600	80"	53"	126"	16"	2"	43143	43167
3180	92"	80"	145"	16"	3"/2"	44391	44393

## SPECIALTY WATER HAULING TANKS

The low profile tanks may be used for storage or transport. They are an excellent choice when height limitations are a factor and are the perfect height for putting under your cottage or cabin.

GALLON CAPACITY	WIDTH	OVERALL HEIGHT	LENGTH	FILL OPENING	OUTLET/ DRAIN	WATER WEIGHT ONLY PART NO.
1250 Low Profile	81"	38"	130"	16"	2"	40756
1275 Low Profile	84"	36"	126"	16"	2"	43011
1500 Low Profile	81"	44"	130"	16"	2"	41392
1600 Low Profile	84"	42"	126"	16"	2"	43013
2400 Box	90"	53"	150"	16"	2"	40912

## FREE STANDING TANKS

These tanks have been specifically designed with residential and commercial applications in mind. The dimensions of the tanks allow them to fit through a conventional doorway. The design of the freestanding/self-support tanks eliminate the need for a steel support frame.

	GALLON CAPACITY	WIDTH	OVERALL HEIGHT	LENGTH	FILL OPENING	OUTLET/ DRAIN	WATER WEIGHT ONLY PART NO.	PREMIUM WEIGHT PART NO.
<b>NEW</b>	100 Slender *	22"	45"	38"	8"	1¼"	—	44800
	250	29"	44"	62"	16"	1¼"	42337	—
	300	29"	48"	62"	16"	1¼"	41869	—
	300	29"	50"	66"	16"	1¼"	—	44330
	400	29"	70"	66"	16"	1¼"	—	43856
	400	30"	68"	64"	16"	1¼"	41247	—
	400 Dark Green	30"	68"	64"	16"	1¼"	44361	—
<b>NEW</b>	400 Vertical Ribbed	33"	84"	43"	16"	—	44654	—
	500	31"	70"	74"	16"	1¼"	—	43616
<b>NEW</b>	600 Vertical Ribbed	35"	84"	58"	16"	—	44655	—
	750	35"	85"	82"	16"	2"	—	44310
	1000	40"	89"	92"	16"	2"	—	44045

\* Also available boxed, part number 44802

### PLEASE NOTE:

Tank availability may vary according to manufacturing location. Please contact Norwesco Customer Service or your Norwesco distributor for specific details. Tank dimensions and capacities may vary slightly and are subject to change without notice.



3180 FLAT BOTTOM



1250 LOW PROFILE



2400 BOX



NEW 100 SLENDER



400 FREESTANDING



NEW 600 VERTICAL RIBBED

## CONE BOTTOM TANKS

Norwesco offers a full range of cone bottom tanks designed for a variety of applications. The conical bottoms enable quick and complete drainage. As with all Norwesco tanks, the cone bottom tanks are molded of rugged, high density polyethylene and are both impact and chemical resistant. Please refer to page 15 for polyethylene or steel stands.

GALLON CAPACITY	SLOPE	DIAMETER	OVERALL HEIGHT	FILL OPENING	OUTLET/ DRAIN	PREMIUM WEIGHT PART NO. WHITE	HEAVY WEIGHT PART NO. BLUE
125 with Stand*	15°	48"	41"/12"†	8"	2"	43161	—
160	45°	36"	52"	16"	2"	43845	—
175 with Stand*	30°	43"	49"/9"†	16"	2"	60113	—
300 with Stand*	30°	49"	61"/9"†	16"	2"	62343	—
300	45°	48"	56"	16"	2"	43848	—
310 with Stand*	30°	43"	72"/9"†	16"	2"	62441	—
500 with Stand*	30°	49"	87"/9"†	16"	2"	40289	—
500	45°	48"	85"	16"	2"	43850	—
<b>NEW</b> 550	20°	72"	47"	16"	2"	44647	—
<b>NEW</b> 550 with Stand*	20°	73"	57"/11"†	16"	2"	44649	—
750	20°	72"	56"	16"	2"	40811	—
750 with Stand*	20°	73"	67"/11"†	16"	2"	40809	—
1000	45°	72"	89"	16"	2"	43852	—
1020	15°	91"	53"	16"	2"	44341	44420
1050	20°	72"	75"	16"	2"	40356	—
1050 with Stand*	20°	73"	86"/11"†	16"	2"	40359	—
1320	15°	91"	64"	16"	2"	44339	44422
1500	45°	72"	118"	16"	2"	43854	—
1600	30°	88"	84"	16"	2"	40817	40819
1600 with Stand*	30°	89"	96"/11"†	16"	2"	40813	40815
1720	15°	91"	78"	16"	2"	44337	44424
2500 **	15°	91"	108"	16"	3"	43065	43067
2500	30°	96"	105"	16"	2"	40066	40129
2500 with Stand*	30°	99"	116"/10"†	16"	2"	40672	40674

\*Polyethylene stand    \*\*Stand not available for this tank    †Distance from bottom of cone to ground  
Fittings ship uninstalled unless tank is purchased assembled with a polyethylene stand.



500 CONE BOTTOM /  
POLYETHYLENE STAND



1600 CONE BOTTOM /  
POLYETHYLENE STAND



3000 CONE BOTTOM /  
STEEL STAND

## CONE BOTTOM TANKS (CONTINUED)

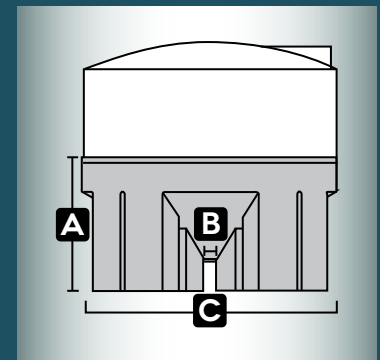
GALLON CAPACITY	SLOPE	DIAMETER	OVERALL HEIGHT	FILL OPENING	OUTLET/ DRAIN	PREMIUM WEIGHT PART NO. WHITE	HEAVY WEIGHT PART NO. BLUE
3000 **	15°	91"	120"	16"	3"	45141	45242
3000	30°	96"	123"	16"	2"	40170	40172
3000 with Stand*	30°	99"	134"/10"†	16"	2"	40797	40799
5500	30°	119"	148"	16"	3"	40549	40316
6000	10°	102"	189"	16"	3"	43054	43056
6000	15°	102"	195"	16"	3"	40931	40933
7500	30°	141"	149"	16"	3"	40551	40409
<b>NEW</b> 10000	15°	142"	173"	22"	3"	44459	44461
10000	30°	141"	190"	16"	3"	44103	44105

\*Polyethylene stand    \*\*Stand not available for this tank    †Distance from bottom of cone to ground  
Fittings ship uninstalled unless tank is purchased assembled with a polyethylene stand.

### POLYETHYLENE CONE BOTTOM STANDS

Maintenance free, lightweight Norwesco polyethylene stands offer unequaled corrosion resistance. Refer to diagram at right.

TANK SIZE	A	B	C
175 - 30°	31½"	8"	43"
300 - 30°	32"	8"	49"
310 - 30°	31½"	8"	43"
500 - 30°	32"	8"	49"
750 - 20°	34"	10"	73"
1050 - 20°	34"	10"	73"
1600 - 30°	46"	10"	89"
2500/3000 - 30°	47"	10"	96"

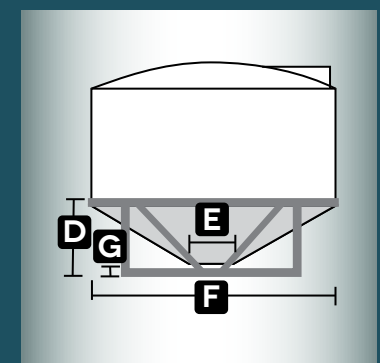


POLYETHYLENE  
CONE BOTTOM STANDS

### STEEL CONE BOTTOM STANDS

Norwesco cone bottom stands are manufactured from structural steel and offer a full dish for uniform support. Refer to diagram at right.

TANK SIZE	D	E	F	G	PART NO.
160 - 45°	29"	7"	43"	15"	63932
300/500 - 45°	30"	8"	54"	11"	63933
1000/1500 - 45°	43"	9"	74"	11"	63934
1020/1320/1720/2500/3000 - 15°	25"	12"	90"	10"	64090
2500/3000 - 30°	36"	11"	96"	12"	60059
2014 Design 2500/3000 - 30°	43"	18"	97"	19"	64076
5500 - 30°	45"	11"	119"	14"	60358
6000 - 10°	21"	12"	102"	13"	63675
6000 - 15°	25"	13"	102"	13"	62473
7500/10000 - 30°	49"	11"	140"	12"	61860
2014 Design 7500/10000 - 30°	61"	25"	142"	24"	64070
10000 - 15°	30"	16"	143"	11"	64113



STEEL  
CONE BOTTOM STANDS

**PLEASE NOTE:**

Tank availability may vary according to manufacturing location. Please contact Norwesco Customer Service or your Norwesco distributor for specific details. Tank dimensions and capacities may vary slightly and are subject to change without notice.



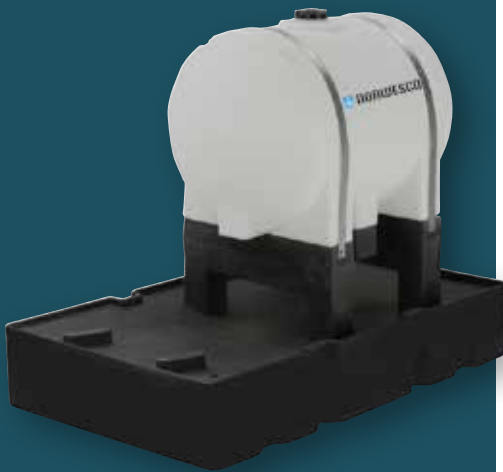
250 CONTAINMENT BASIN



1300 CONTAINMENT BASIN



SPECIALTY SPHERE



CHEMICAL INJECTION TANK SYSTEM

## CONTAINMENT BASINS

Our containment basins and tanks are impact and corrosion resistant and are molded as a one-piece, seamless unit. The 140, 250, 360, 500, 600 and 1300 gallon sizes are "basin style". The 2800 "Tank In A Tank" is molded with a dome that can be cut off to enable it to be used as a containment tank. Required containment capacity may vary depending on application and location.

GALLON CAPACITY	WIDTH/DIAMETER	OVERALL HEIGHT	LENGTH	FILL OPENING	COLOR	PREMIUM WEIGHT PART NO.
140	45"	17"	45"	—	Black	42771
250	68"	11"	92"	—	Black	42114
360	69"	16"	93"	—	Black	42940
500	80"	19"	92"	—	Black	42051
600	84"	20"	98"	—	Black	43069
1300	97"	22"	175"	—	Black	42195
2800 *	102"	104"	—	16"	White	42222

\*Tank In A Tank

## SPECIALTY SPHERE TANKS

The Sphere tanks are most often used on trailers that are specifically designed with the tank to allow for complete drainage and a tight turning radius.

GALLON CAPACITY	DIAMETER	OVERALL HEIGHT	FILL OPENING	HEAVY WEIGHT PART NO. WHITE	HEAVY WEIGHT PART NO. BLUE
525	62"	64"	16"	44878	44879
1000	78"	82"	16"	43672	41440
1100	78"	86"	16"	44347	44346

## CHEMICAL INJECTION TANK SYSTEMS

Our chemical injection tank system is designed for applications in the oil and gas industry. The package includes a leg tank, stand, and enclosed containment basin. The enclosed containment basins have a pump mount, a 2" and a 3" female threaded connection for additional items such as solar panels. Does not include bands.

DESCRIPTION	WIDTH/DIAMETER	HEIGHT	LENGTH	FILL OPENING	PART NO.
<b>65 Chemical Injection System*</b>					44099
65 Leg Tank	23"	26"	43"	5"	
Stand for 65 Leg Tank	23"	32"	31"		
Containment Basin - 95 Gallon	36"	15"	61"		
<b>125 Chemical Injection System*</b>					63880
125 Leg Tank	32"	35½"	43½"	6"	
Stand for 125 Leg Tank	32"	32"	30¼"		
Containment Basin - 165 Gallon	45"	14½"	64"		
<b>225 Chemical Injection System*</b>					63885
225 Leg Tank	38"	41½"	52"	6"	
Stand for 225 Leg Tank	38"	30"	34½"		
Containment Basin - 300 Gallon	54"	15½"	89"		
<b>335 Chemical Injection System*</b>					63890
335 Leg Tank	44"	49"	56"	6"	
Stand for 335 Leg Tank	38"	30"	34½"		
Containment Basin - 380 Gallon	54"	19½"	80"		

\*Includes Tank, Stand and Basin

### PLEASE NOTE:

Tank availability may vary according to manufacturing location. Please contact Norwesco Customer Service or your Norwesco distributor for specific details. Tank dimensions and capacities may vary slightly and are subject to change without notice.



## HIGH DENSITY POLYETHYLENE LIDS

DESCRIPTION	ITEM CODE	PART NO.
22" Lid and ring with air vent		63679
22" Lid, ventless with ring		63863
Vent for 22" lid (63679)		64150
16" Lid and ring with blue snap-in vent	A	63485
16" Lid and ring with 3" center thread		63868
16" Lid, ventless with ring		60367
16" Lid, ventless	B	60365
16" Ring only		60012
Ethafoam gasket for 16" non-hinged lid		62941
Blue snap-in vent for 16" lid (63485)		63539
8" Lid with blue snap-in vent	C	63480
Blue snap-in vent for 8" lid (63480)		63482
5" Lid with ball check air vent	D	63484
5" Lid with 2" FPT (does not include vent cap)		63264
5" Lid, hinged		63673
EPDM gasket for 5" lid (63264 or 63484)		60366

## HINGED LID

This lid is manufactured from a co-polymer material for strength, durability and excellent chemical resistance. Our unique locking tab allows you to easily slip a padlock through it and secure your lid from theft or spills. The lid is interchangeable with a standard 16" lid and ring assembly if you choose to replace your existing lid.

- Easy open/close – opens a full 180 degrees.
- Comes complete with a baffle vent assembly, allowing for adequate venting when bottom filling your tank.

DESCRIPTION	ITEM CODE	PART NO.
22" Complete lid assembly (hinged lid with ring and vent)	E	63874
16" Complete lid assembly (hinged lid with ring and vent)	E	62532

## HINGED LID REPAIR PARTS

DESCRIPTION	PART NO.
16" hinged lid with vent assembly, without ring	62826
16" hinged ventless lid, with ring	63390
Vent assembly	62827
Ring assembly	62828
Hinge assembly	62829
EPDM O-ring gasket for 16" hinged lid	62830
Neoprene O-ring for 16" hinged lid ring	62831

## BELOW GROUND TANK LIDS

DESCRIPTION	PART NO.
20" Lid for below ground tank, 2000 (42559)	62408
20" Lid for below ground tanks	63672

## LID ACCESSORIES AND REPAIR KIT

DESCRIPTION	PART NO.
2" MPT vent cap with poly screen	63266
2" MPT vent cap, anti-vortex, without screen	63316
3" MPT vent cap with poly screen	63845
Stainless steel screw for 8" and 16" rings	60081
18" Lanyard for 8" lid and 16" non-hinged lid (tethers lid to tank)	62531
Strainer basket for 16" fill-opening (7" depth)	67374
Poly welding gun and rod	60221
Poly welding rod, natural 30'	61879
Poly welding rod, black 30'	64160



HINGED LID  
Shown open  
and closed

## POLYPROPYLENE BULKHEAD FITTINGS / EPDM OR VITON GASKETS

Norwesco's polypropylene fittings come standard with an EPDM gasket. Viton gaskets are available as an option when EPDM may not be suitable for your application. The 2" stainless steel bulkhead fitting comes standard without a gasket.

DESCRIPTION	HOLE SIZE REQUIRED IN TANK FOR INSTALLATION	ITEM CODE	PART NO.
½" Heavy duty double threaded polypropylene fitting	17/16"	A	62834
¾" Double threaded polypropylene fitting	17/16"	A	60401
EPDM gasket for ½" and ¾" (62834 and 60401)			60402
Type A Viton gasket for ½" and ¾" (62834 and 60401)			60360
¾" Heavy duty double threaded polypropylene fitting	1½"	A	62798
EPDM gasket ¾" (62798)			62799
Type A Viton gasket for ¾" (62798)			62800
1" Double threaded polypropylene fitting	2¼"	A	60427
1¼" Double threaded polypropylene fitting	2¼"	A	60403
1¼" Anti-vortex polypropylene fitting	2¼"	D	63065
EPDM gasket for 1" and 1¼" (60427, 60403 and 63065)			60404
Type A Viton gasket for 1" and 1¼" (60427, 60403 and 63065)			60361
Anti-vortex adapter for 1¼" (60403)			62398
1½" Standard duty double threaded polypropylene fitting	2¾"	A	63931
EPDM gasket for 1½" (63931)			63938
Type A Viton gasket for 1½" (63931)			63939
1½" Double threaded polypropylene fitting	3"	A	60124
Siphon tube, 1½" x 415/16" long			63682
Siphon tube, 1½" x 12" long			63279
2" Double threaded polypropylene fitting	3"	A	60405
2" Double threaded 316 stainless steel fitting, less gasket	3"		61767
EPDM gasket for 1½" and 2" (60124, 60405, 63481 and 61767)			60406
Type A Viton gasket for 1½" and 2" (60124, 60405, 63481 and 61767)			60523
2" Standard duty double threaded polypropylene fitting (maximum tank wall thickness = 3/8")	3"	E	63481
2" Heavy duty double threaded polypropylene fitting	3¼"	B	63683
EPDM gasket for 2" (63683)			60336
Type A Viton gasket for 2" (63683)			60008
Siphon tube, 2" short			60335
Siphon tube, 2" x 12" long			63262
Anti-vortex adapter for 2" bulkhead fitting			62399
2" Polypropylene dust plug			60021
2" Self-aligning double threaded polypropylene fitting (designed to install in dome of vertical tank above the liquid level)	4½"		63668
EPDM gasket for 2" self-aligning (63668)			60331
Type A Viton gasket for 2" self-aligning (63668)			60351
3" Double threaded polypropylene fitting (hex nut as shown in photo C)	4½"	C	62299
EPDM gasket for 3" (62299)			60331
Type A Viton gasket for 3" (62299)			60351
2" Polypropylene reducer for 3"			60330
Siphon tube, 3" short			60327
Siphon tube, 3" x 12" long			63263
Siphon tube extension, 3" x 19-1/2" long			64102
4" Double threaded polypropylene fitting (hex nut as shown in photo C)	5¾"		62171
EPDM gasket for 4" (62171)			62785
Type A Viton gasket for 4" (62171)			62786
Siphon tube for 4"			62714



## POLYPROPYLENE DOUBLE THREADED BOLTED FITTINGS

Equipped with 316 stainless steel bolts and come standard with EPDM gaskets. Viton gaskets are available as an option for the fittings.

DESCRIPTION	ITEM CODE	PART NO.
¾" Polypropylene bolted fitting with SS bolts and EPDM gaskets	F	60502
1" Polypropylene bolted fitting with SS bolts and EPDM gaskets	F	60505
EPDM gasket for ¾" and 1" Part No. 60498 / Type A Viton gasket for ¾" and 1" Part No. 60355		
1½" Polypropylene bolted fitting with SS bolts and EPDM gaskets	F	60513
2" Polypropylene bolted fitting with SS bolts and EPDM gaskets	F	60516
EPDM gasket for 1½" and 2" Part No. 60497 / Type A Viton gasket for 1½" and 2" Part No. 60356		
3" Polypropylene bolted fitting with SS bolts and EPDM gaskets		62471
EPDM gasket for 3" Part No. 62048 / Type A Viton gasket for 3" Part No. 60602		
2 gaskets required per fitting		

## CON-TECH STAINLESS STEEL DOUBLE THREADED BOLTED FITTINGS

These fittings are designed to install in heavy wall tanks. Please contact Norwesco Customer Service for additional information.

DESCRIPTION	ITEM CODE	PART NO.
1" 316 SS double threaded bolted fitting with SS long bolts and EPDM gaskets		63972
EPDM gasket for 1" Part No. 64154 / Type A Viton gasket for 1" Part No. 63978		
1½" 316 SS double threaded bolted fitting with SS long bolts and EPDM gaskets		63973
EPDM gasket for 1½" Part No. 64155 / Type A Viton gasket for 1½" Part No. 63979		
2" 316 SS double threaded bolted fitting with SS long bolts and EPDM gaskets		63974
EPDM gasket for 2" Part No. 64156 / Type A Viton gasket for 2" Part No. 63980		
3" 316 SS double threaded bolted fitting with SS long bolts and EPDM gaskets		63975
EPDM gasket for 3" Part No. 64152 / Type A Viton gasket for 3" Part No. 63981		
2 gaskets required per fitting		

## STAINLESS STEEL BOLTED HALF NIPPLE FITTINGS

DESCRIPTION	ITEM CODE	PART NO.
¾" 316 SS half nipple fitting, MPT, and cross linked polyethylene gasket		64093

## STAINLESS STEEL DOUBLE THREADED BOLTED FITTINGS

Bolts are threaded into back plate – no welds or bolt holes that can be potential points of leakage. Fittings come standard without a gasket and require a single gasket installed on the inside of the tank. Available gaskets are cross-linked polyethylene, EPDM or Viton.

DESCRIPTION	ITEM CODE	PART NO.
½" 316 SS double threaded bolted fitting less gasket	G	63216
¾" 316 SS double threaded bolted fitting less gasket	G	63035
1" 316 SS double threaded bolted fitting less gasket	G	62948
EPDM gasket for ½", ¾", 1" Part No. 63205 / Type A Viton gasket for ½", ¾", 1" Part No. 63224		
Cross-linked polyethylene gasket for ½", ¾", 1" Part No. 62950		
1¼" 316 SS double threaded bolted fitting less gasket	G	63036
Cross-linked polyethylene gasket for 1¼" Part No. 63041		
1½" 316 SS double threaded bolted fitting less gasket	G	63037
EPDM gasket for 1¼", 1½" Part No. 63426 / Cross-linked polyethylene gasket for 1½" Part No. 63042		
2" 316 SS double threaded bolted fitting less gasket	G	63038
EPDM gasket for 2" Part No. 63206 / Type A Viton gasket for 2" Part No. 63225		
Cross-linked polyethylene gasket for 2" Part No. 62848		
3" 316 SS double threaded bolted fitting less gasket	H	63038
EPDM gasket for 3" Part No. 63223 / Type A Viton gasket for 3" Part No. 63226		
Cross-linked polyethylene gasket for 3" Part No. 63043		
4" 316 SS 8-bolt double threaded bolted fitting with gasket		63688
EPDM gasket for 4" Part No. 63690 / Type A Viton gasket for 4" Part No. 63691		
Cross-linked polyethylene gasket for 4" Part No. 63689		
1 gasket required per fitting		

## STAINLESS STEEL SINGLE THREADED BOLTED FITTINGS

DESCRIPTION	ITEM CODE	PART NO.
3" 316 SS single threaded bolted fitting, anti-vortex, less gasket		63233
EPDM gasket for 3" Part No. 63223 / Type A Viton gasket for 3" Part No. 63226		
Cross-linked polyethylene gasket for 3" Part No. 63043 (1 required)		

1 gasket required per fitting



## MANUFACTURING & DISTRIBUTION



### WARRANTY

NORWESCO offers a three year warranty from date of manufacture on tanks shown in this brochure. Should a defect appear within the warranty period Norwesco will supply a new, equivalent tank in replacement thereof. Norwesco's liability is limited to the value of the tank itself and specifically excludes the cost of installation and/or removal or consequential damages. Please contact your chemical supplier or Norwesco Customer Service for chemical resistance information. Tank dimensions and capacities may vary slightly and are subject to change without notice.



Norwesco, INC.

4365 Steiner Street  
P.O. Box 439  
St. Bonifacius, MN 55375-0439  
Tel (800) 328-3420  
Fax (800) 874-2371

[www.norwesco.com](http://www.norwesco.com)