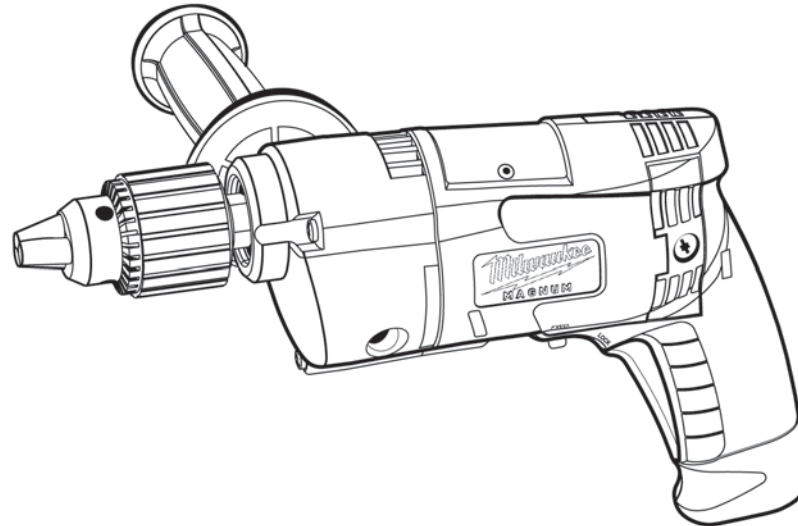




OPERATOR'S MANUAL
MANUEL de L'UTILISATEUR
MANUAL del OPERADOR

Catalog No.
No de Cat.
0233-20
0234-6
0235-21
0244-1



**HEAVY-DUTY MAGNUM DRILLS
EXTRA ROBUSTE PERCEUSES MAGNUM
TALADROS MAGNUM HEAVY-DUTY**

TO REDUCE THE RISK OF INJURY, USER MUST READ AND UNDERSTAND OPERATOR'S MANUAL.

AFIN DE RÉDUIRE LE RISQUE DE BLESSURES, L'UTILISATEUR DOIT LIRE ET BIEN COMPRENDRE LE MANUEL DE L'UTILISATEUR.

PARA REDUCIR EL RIESGO DE LESIONES, EL USUARIO DEBE LEER Y ENTENDER EL MANUAL DEL OPERADOR.

GENERAL POWER TOOL SAFETY WARNINGS

⚠ WARNING READ ALL SAFETY WARNINGS AND ALL INSTRUCTIONS. Failure to follow the warnings and instructions may result in electric shock, fire and/or serious injury. **Save all warnings and instructions for future reference.** The term "power tool" in the warnings refers to your mains-operated (corded) power tool or battery-operated (cordless) power tool.

WORK AREA SAFETY

- **Keep work area clean and well lit.** Cluttered or dark areas invite accidents.
- **Do not operate power tools in explosive atmospheres, such as in the presence of flammable liquids, gases or dust.** Power tools create sparks which may ignite the dust or fumes.
- **Keep children and bystanders away while operating a power tool.** Distractions can cause you to lose control.

ELECTRICAL SAFETY

- **Power tool plugs must match the outlet. Never modify the plug in any way. Do not use any adapter plugs with earthed (grounded) power tools.** Unmodified plugs and matching outlets will reduce risk of electric shock.
- **Avoid body contact with earthed or grounded surfaces such as pipes, radiators, ranges and refrigerators.** There is an increased risk of electric shock if your body is earthed or grounded.
- **Do not expose power tools to rain or wet conditions.** Water entering a power tool will increase the risk of electric shock.
- **Do not abuse the cord. Never use the cord for carrying, pulling or unplugging the power tool. Keep cord away from heat, oil, sharp edges or moving parts.** Damaged or entangled cords increase the risk of electric shock.
- **When operating a power tool outdoors, use an extension cord suitable for outdoor use.** Use of a cord suitable for outdoor use reduces the risk of electric shock.
- **If operating a power tool in a damp location is unavoidable, use a ground fault circuit interrupter (GFCI) protected supply.** Use of an GFCI reduces the risk of electric shock.

PERSONAL SAFETY

- **Stay alert, watch what you are doing and use common sense when operating a power tool. Do not use a power tool while you are tired or under the influence of drugs, alcohol or medication.** A moment of inattention while operating power tools may result in serious personal injury.
- **Use personal protective equipment. Always wear eye protection.** Protective equipment such as dust mask, non-skid safety shoes, hard hat, or hearing protection used for appropriate conditions will reduce personal injuries.
- **Prevent unintentional starting. Ensure the switch is in the off-position before connecting to power source and/or battery pack, picking up or carrying the tool.** Carrying power tools with your finger on the switch or energising power tools that have the switch on invites accidents.

- **Remove any adjusting key or wrench before turning the power tool on.** A wrench or a key left attached to a rotating part of the power tool may result in personal injury.
- **Do not overreach. Keep proper footing and balance at all times.** This enables better control of the power tool in unexpected situations.
- **Dress properly. Do not wear loose clothing or jewellery. Keep your hair, clothing and gloves away from moving parts.** Loose clothes, jewellery or long hair can be caught in moving parts.
- **If devices are provided for the connection of dust extraction and collection facilities, ensure these are connected and properly used.** Use of dust collection can reduce dust-related hazards.

POWER TOOL USE AND CARE

- **Do not force the power tool. Use the correct power tool for your application.** The correct power tool will do the job better and safer at the rate for which it was designed.
- **Do not use the power tool if the switch does not turn it on and off.** Any power tool that cannot be controlled with the switch is dangerous and must be repaired.
- **Disconnect the plug from the power source and/or the battery pack from the power tool before making any adjustments, changing accessories, or storing power tools.** Such preventive safety measures reduce the risk of starting the power tool accidentally.
- **Store idle power tools out of the reach of children and do not allow persons unfamiliar with the power tool or these instructions to operate the power tool.** Power tools are dangerous in the hands of untrained users.
- **Maintain power tools. Check for misalignment or binding of moving parts, breakage of parts and any other condition that may affect the power tool's operation. If damaged, have the power tool repaired before use.** Many accidents are caused by poorly maintained power tools.
- **Keep cutting tools sharp and clean.** Properly maintained cutting tools with sharp cutting edges are less likely to bind and are easier to control.
- **Use the power tool, accessories and tool bits etc. in accordance with these instructions, taking into account the working conditions and the work to be performed.** Use of the power tool for operations different from those intended could result in a hazardous situation.

SERVICE

- **Have your power tool serviced by a qualified repair person using only identical replacement parts.** This will ensure that the safety of the power tool is maintained.

SPECIFIC SAFETY RULES

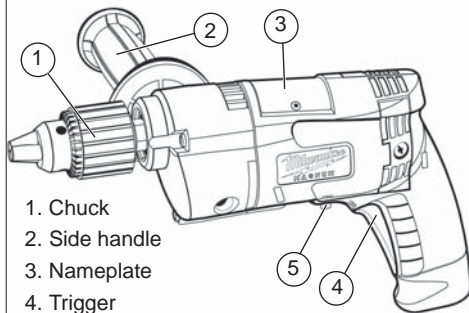
- Use auxiliary handle(s), if supplied with the tool. Loss of control can cause personal injury.
- Hold power tool by insulated gripping surfaces, when performing an operation where the cutting accessory may contact hidden wiring or its own cord. Cutting accessory contacting a "live" wire may make exposed metal parts of the power tool "live" and could give the operator an electric shock.
- Maintain labels and nameplates. These carry important information. If unreadable or missing, contact a MILWAUKEE service facility for a free replacement.
- WARNING Some dust created by power sanding, sawing, grinding, drilling, and other construction activities contains chemicals known to cause cancer, birth defects or other reproductive harm. Some examples of these chemicals are:
 - lead from lead-based paint
 - crystalline silica from bricks and cement and other masonry products, and
 - arsenic and chromium from chemically-treated lumber.
 Your risk from these exposures varies, depending on how often you do this type of work. To reduce your exposure to these chemicals: work in a well ventilated area, and work with approved safety equipment, such as those dust masks that are specially designed to filter out microscopic particles.

SPECIFICATIONS

Cat. No.	Volts AC	Amps	No Load RPM
0233-20	120	5.5	0-2800
0234-6	120	5.5	without RAD 0-950 RAD low 0-630 Rad high 0-1425
0235-21	120	5.5	0-950
0244-1	120	5.5	without RAD 0-700 RAD low 0-465 RAD high 0-1050

Right Angle Drive Unit Cat. No. 48-06-2871

FUNCTIONAL DESCRIPTION



1. Chuck
2. Side handle
3. Nameplate
4. Trigger
5. Forward/Reverse switch

SYMBOLOLOGY

	Double Insulated
	Amps
	Volts
	Alternating Current Only
n_0 XXXXmin. ⁻¹	No Load Revolutions per Minute (RPM)
	Underwriters Laboratories, Inc. United States and Canada
	Mexican Approvals Marking

EXTENSION CORDS

Grounded tools require a three wire extension cord. Double insulated tools can use either a two or three wire extension cord. As the distance from the supply outlet increases, you must use a heavier gauge extension cord. Using extension cords with inadequately sized wire causes a serious drop in voltage, resulting in loss of power and possible tool damage. Refer to the table shown to determine the required minimum wire size.

The smaller the gauge number of the wire, the greater the capacity of the cord. For example, a 14 gauge cord can carry a higher current than a 16 gauge cord. When using more than one extension cord to make up the total length, be sure each cord contains at least the minimum wire size required. If you are using one extension cord for more than one tool, add the nameplate amperes and use the sum to determine the required minimum wire size.

Guidelines for Using Extension Cords

- If you are using an extension cord outdoors, be sure it is marked with the suffix "W-A" ("W" in Canada) to indicate that it is acceptable for outdoor use.
- Be sure your extension cord is properly wired and in good electrical condition. Always replace a damaged extension cord or have it repaired by a qualified person before using it.
- Protect your extension cords from sharp objects, excessive heat and damp or wet areas.

Recommended Minimum Wire Gauge For Extension Cords*

Nameplate Amperes	Extension Cord Length				
	25'	50'	75'	100'	150'
0 - 2.0	18	18	18	18	16
2.1 - 3.4	18	18	18	16	14
3.5 - 5.0	18	18	16	14	12
5.1 - 7.0	18	16	14	12	12
7.1 - 12.0	16	14	12	10	
12.1 - 16.0	14	12	10		
16.1 - 20.0	12	10			

* Based on limiting the line voltage drop to five volts at 150% of the rated amperes.

READ AND SAVE ALL INSTRUCTIONS FOR FUTURE USE.

GROUNDING

WARNING Improperly connecting the grounding wire can result in the risk of electric shock. Check with a qualified electrician if you are in doubt as to whether the outlet is properly grounded. Do not modify the plug provided with the tool. Never remove the grounding prong from the plug. Do not use the tool if the cord or plug is damaged. If damaged, have it repaired by a MILWAUKEE service facility before use. If the plug will not fit the outlet, have a proper outlet installed by a qualified electrician.

The grounding prong in the plug is connected through the green wire inside the cord to the grounding system in the tool. The green wire in the cord must be the only wire connected to the tool's grounding system and must never be attached to an electrically "live" terminal. Your tool must be plugged into an appropriate outlet, properly installed and grounded in accordance with all codes and ordinances. The plug and outlet should look like those in Figure A.

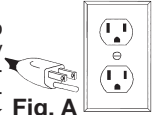


Fig. A

Double Insulated Tools: Tools with Two Prong Plugs

Tools marked "Double Insulated" do not require grounding. They have a special double insulation system which satisfies OSHA requirements and complies with the applicable standards of Underwriters Laboratories, Inc., the Canadian Standard Association and the National Electrical Code. Double Insulated tools may be used in either of the 120 volt outlets shown in Figures B and C.

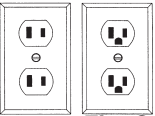


Fig. B



Fig. C

ASSEMBLY

WARNING To reduce the risk of injury, always unplug tool before changing or removing accessories. Only use accessories specifically recommended for this tool. Others may be hazardous.

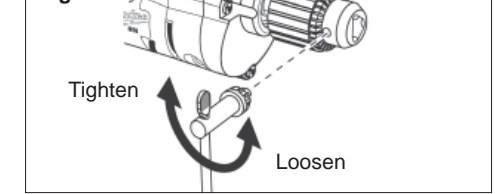
WARNING To prevent personal injury, always remove the chuck key from the chuck after each use.

Installing Bits into Keyed Chucks (Cat. No. 0234-6, 0244-1)

Always unplug the tool before installing or removing bits.

1. Open the chuck jaws wide enough to insert the bit. Be sure the bit shank and chuck jaws are clean. Dirt particles may prevent the bit from lining up properly.
2. When using drill bits, insert the bit into the chuck. Center the bit in the chuck jaws and lift it about 1/16" off of the bottom. Tighten the chuck jaws by hand to align the bit. When using screwdriver bits, insert the bit far enough for the chuck jaws to grip the bit shank. Tighten the chuck jaws by hand to align the bit.
3. Place the chuck key in each of the three holes in the chuck, turning it clockwise as shown. Tighten securely.

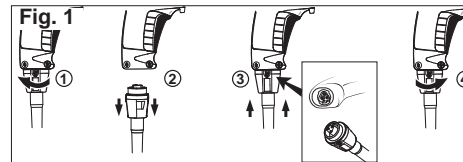
Fig. 2



4. To remove the bit, insert the chuck key into one of the holes in the chuck and turn it counterclockwise.

Removing and Replacing Quik-Lok® Cords

MILWAUKEE's exclusive Quik-Lok® Cords provide instant field replacement or substitution.



1. To remove the Quik-Lok® Cord, turn the cord nut 1/4 turn to the left and pull it out.
2. To replace the Quik-Lok® Cord, align the connector keyways and push the connector in as far as it will go. Turn the cord nut 1/4 turn to the right to lock.

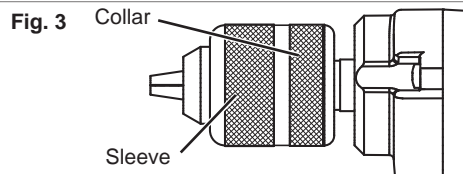
Installing Side Handle

MILWAUKEE Magnum Drills are supplied with a side handle that can be installed on either side of the tool for right or left handed use. To install the side handle, thread it into the socket on the desired side of the tool and tighten it securely. Always use the side handle for best control.

⚠ WARNING To reduce the risk of injury: Do not grasp the bit while the chuck is rotating or while the bit is falling from the chuck. Release the trigger as soon as the ratcheting stops to avoid throwing the bit.

Installing Bits into Keyless Chucks (Cat. No. 0233-20)

These tools are equipped with a hand-tightening keyless chuck. Always unplug the tool before installing or removing bits.

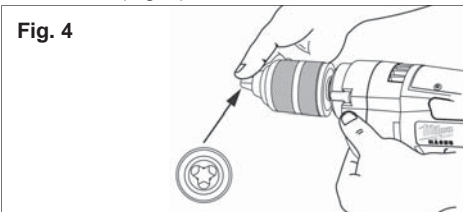


1. To open the chuck jaws, turn the sleeve in the counterclockwise direction. When using drill bits, allow the bit to strike the bottom of the chuck. Center the bit in the chuck jaws and lift it about 1/16" off of the bottom. When using screwdriver bits, insert the bit far enough for the chuck jaws to grip the hex of the bit.
2. To close the chuck jaws, hold the collar while turning the sleeve in the clockwise direction. Tighten securely.

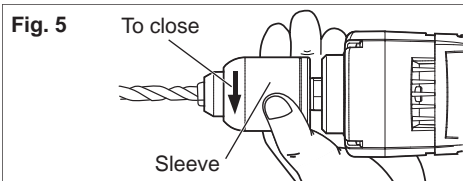
Installing Bits into Keyless Chucks (Cat. No. 0235-21)

These tools are equipped with a spindle-lock mechanism and a single-sleeve keyless chuck. Always unplug the tool before inserting or removing bits.

1. To open the chuck jaws, turn the chuck sleeve in counterclockwise direction.
2. To install a bit, open the chuck jaws slightly wider than the bit. Center the bit in the chuck jaws and lift it about 1/16" off of the bottom. Align the bit as shown (Fig. 4).



3. To close the chuck jaws, turn the chuck sleeve in clockwise direction (Fig. 5). Tighten securely. Several detents will be felt as the chuck sleeve is turned.



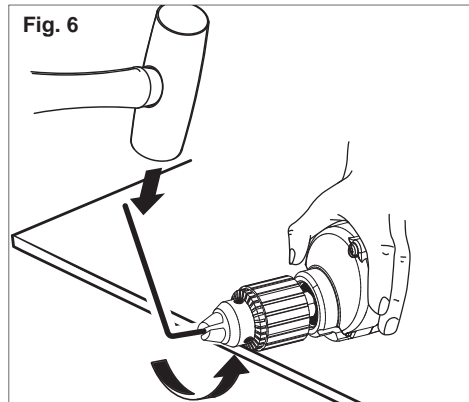
NOTE: If the spindle rotates when opening or closing the chuck jaws, grasp the chuck and slightly rotate back and forth to engage the spindle-lock mechanism. The spindle will remain locked until the tool is turned on. The spindle-lock mechanism will automatically disengage when the tool is turned on.

⚠ WARNING To reduce the risk of injury, wear safety goggles or glasses with side shields.

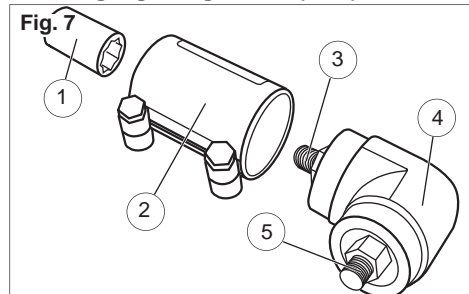
Chuck Removal

This tool is equipped with a threaded spindle to hold the chuck. Before removing the chuck, unplug the tool and open the chuck jaws. A left-handed thread screw is located inside the chuck to prevent the chuck from loosening when the tool is operated in reverse direction. Remove the screw by turning it clockwise. To remove the chuck, hold the tool so that only the side of the chuck rests firmly and squarely on a solid workbench. Insert the chuck key or a chuck remover bar in one of the keyholes. Turn the chuck so the key is at about a 30° angle to the bench top and strike the key sharply with a hammer so the chuck turns in a counterclockwise direction (looking from the front of the tool). This should loosen the chuck from the spindle which has a right hand thread making it easy to remove the chuck by hand.

NOTE: When replacing the chuck, always replace the left hand thread screw in the chuck.



Attaching Right Angle Drive (RAD) to Drill



1. Remove the chuck from the drill following instructions (See "Removing the Chuck From the Drill"). Slip the double hex coupling (1) over the hex on the drill spindle.

Loosen the clamping screws on the clamping sleeve (2) and slip the sleeve onto the drill collar.

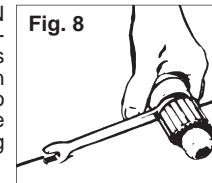
2. Slide the Right Angle Drive head (4) into the other side of the sleeve and turn the drive head slightly in either direction so the hexagonal hole in the coupling (1) engages the hexagonal portion of the spindle (3).

NOTE: Attaching the drill chuck to the side marked "LOW" reduces the speed by 1/3, or 33%. Attaching the drill chuck to the opposite side increases the speed by 50%.

3. When assembled, turn the Right Angle Drive head to the desired position and tighten the clamping screws to secure the unit. Thread the chuck onto the Right Angle Drive spindle (5). **INSTALL CHUCK LOCKING SCREW.**

Removing the Chuck From RAD

The chuck can be removed from the Right Angle Drive Unit in the same manner it is removed from the drill; however, **ALWAYS REMOVE RIGHT ANGLE DRIVE FROM THE DRILL BEFORE ATTEMPTING TO LOOSEN THE CHUCK.** This will prevent damaging the drill's gearing. Use the open end wrench provided to hold the Right Angle Drive spindle before attempting to loosen the chuck.



1. For **forward** (clockwise) rotation, push the forward/reverse switch to **FWD** as shown.
2. For **reverse** (counterclockwise) rotation, push the forward/reverse switch to **REV** as shown. Although an interlock prevents reversing the tool while the motor is running, allow it to come to a full stop before reversing.

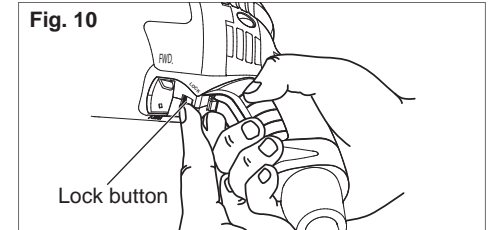
⚠ WARNING To reduce the risk of injury, keep hands and cord away from the bit and all moving parts.

Starting, Stopping and Controlling Speed

1. To **start** the tool, pull the trigger.
2. To **stop** the tool, release the trigger.
3. To **vary** the drilling speed, simply increase or decrease pressure on the trigger. The further the trigger is pulled, the greater the speed.

Locking Trigger

The lock button holds the trigger in the ON position for continuous full speed use.



1. To **lock** the trigger, hold the lock button in while pulling the trigger. Release the trigger.
2. To **unlock** the trigger, pull the trigger and release. The lock button will pop out.

⚠ WARNING To reduce the risk of explosion, electric shock and property damage, always check the work area for hidden pipes and wires before drilling.

Drilling

1. Before drilling, be sure the workpiece is clamped securely. Use backing material to prevent damage to the workpiece during breakthrough.
2. When starting a hole, place the drill bit on the work surface and apply firm pressure. Begin drilling at a slow speed, gradually increasing the speed as you drill.
3. Always apply pressure in line with the bit. Use enough pressure to keep the drill biting, but do not push hard enough to stall the motor.
4. Reduce pressure and ease the bit through the last part of the hole. While the tool is still running, pull the bit out of the hole to prevent jamming.

Stalling

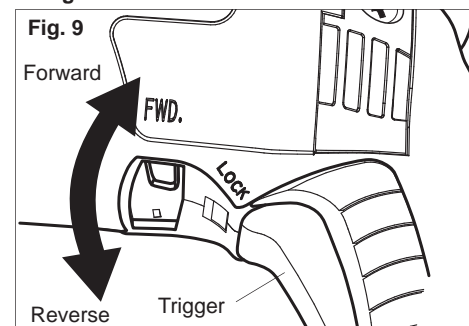
If the tool seems as if it is about to stall, maintain a firm grip and reduce pressure slightly to allow the bit to regain speed. If the tool does stall, release the trigger immediately. Reverse the motor, remove the bit from the work and start again. Do not pull the trigger on and off in an attempt to start a stalled drill. This can damage the drill.

OPERATION

⚠ WARNING To reduce the risk of injury, always unplug tool before attaching or removing accessories or making adjustments. Use only specifically recommended accessories. Others may be hazardous.

⚠ WARNING To reduce the risk of injury, wear safety goggles or glasses with side shields.

Using Forward/Reverse Switch



APPLICATIONS

CAPACITIES

Cat. No.	Wood				Steel		Masonry	
	Flat Boring Bits	Auger Bits	Ship Auger Bits	Selffeed Bits	Hole Saws	Twist Drill	Hole Saws	Carbide-Tipped Bits
0233-20	1"	N/R	N/R	N/R	1-3/4"	3/8"	1"	3/8"
0234-6	1-1/2"	1-1/2"	1-1/4"	2"	4"	1/2"	2"	1/2"
RAD low	1-1/2"	1-1/2"	1-1/2"	2-1/4"	4-1/2"	1/2"	2-1/8"	9/16"
RAD high	1-1/2"	1-1/8"	1"	1-1/2"	2-3/4"	1/2"	1-1/2"	7/16"
0235-21	1-1/2"	1-1/2"	1-1/4"	2"	4"	1/2"	2"	1/2"
0244-1	1-1/2"	1-1/2"	1-1/2"	2-1/4"	4-1/2"	1/2"	2-1/4"	9/16"
RAD low	1-1/2"	1-1/2"	1-1/2"	2-9/16"	5"	1/2"	2-1/4"	5/8"
RAD high	1-1/2"	1-1/2"	1-1/4"	1-3/4"	3-1/4"	1/2"	1-3/4"	1/2"

Selecting Bits

When selecting a bit, use the right type for your job. For best performance, always use sharp bits.

Drilling in Wood, Composition Materials and Plastic

When drilling in wood, composition materials and plastic, start the drill slowly, gradually increasing speed as you drill. When using twist drill bits, pull the bit out of the hole frequently to clear chips from the bit flutes. Use low speeds for plastics with a low melting point.

Drilling in Masonry

When drilling in masonry, use high speed carbide-tipped bits. Drilling soft masonry materials such as cinder block requires little pressure. Hard materials like concrete require more pressure. A smooth, even flow of dust indicates the proper drilling rate. Do not let the bit spin in the hole without cutting. Do not use water to settle dust or to cool bit. Both actions will damage the carbide.

Drilling in Metal

When drilling in metal, use high speed steel twist drills or hole saws. Use slow speeds for hard metals and high speeds for softer metals. Lubricate drill bits with cutting oil when drilling in iron or steel. Use a coolant when drilling in nonferrous metals such as copper, brass or aluminum. Back the material to prevent binding and distortion on breakthrough.

Driving Screws

When driving screws, use the proper screwdriver bit for your job. After drilling pilot and shank holes, start the screw slowly and increase the speed as driving progresses. Set the screw by slowing to a stop. Do not run screws down at excessive speeds. To remove screws, reverse the motor.

WARNING High rotational force. To reduce the risk of injury, always hold or brace securely. Always use side handle on tools rated 1200 RPM or less.

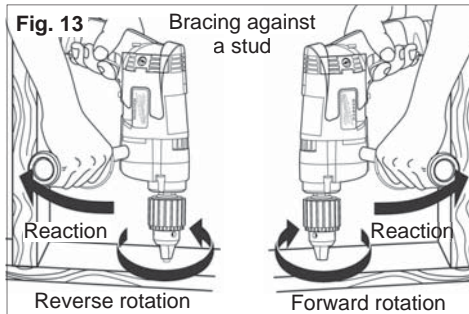
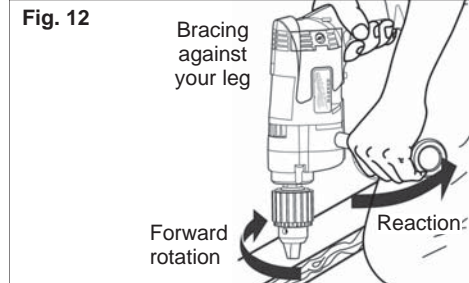
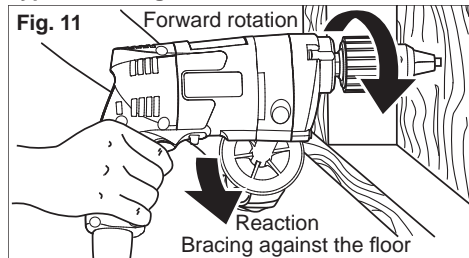
Bit Binding

A high rotational force occurs when a bit binds. If the bit binds, the tool will be forced in the opposite direction of the bit rotation (See Fig. 11 - 13). Bits may bind if they are misaligned or when they are breaking through a hole. Wood boring bits can also bind if they run into nails or knots. Be prepared for bit binding situations.

To reduce the chance of bit binding:

- Use sharp bits. Sharp bits are less likely to bind when drilling.
- Use the proper bit for the job. There are bits that are designed for specific purposes.
- Use caution when drilling pitchy, knotty, wet or warped material or when drilling in material that may contain nails.

Typical Bracing Methods

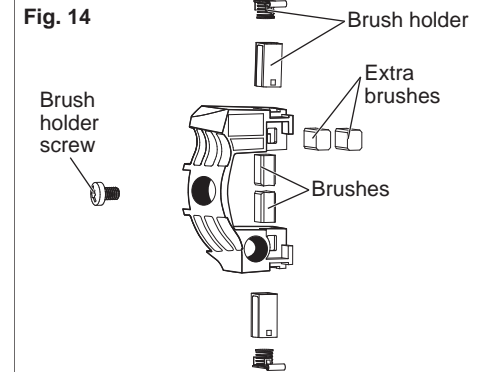


MAINTENANCE

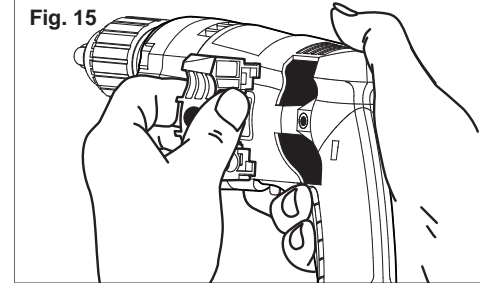
WARNING To reduce the risk of injury, always unplug your tool before performing any maintenance. Never disassemble the tool or try to do any rewiring on the tool's electrical system. Contact a **MILWAUKEE** service facility for ALL repairs.

Replacing Brushes

MILWAUKEE Magnum Drills have an exclusive Brush Cartridge System. The tool will not start when the brushes are worn to 1/8", preventing expensive damage to the armature. New brushes are provided in the Cartridge for fast changes anywhere.



1. Unplug tool and rest it on its side with the cartridge facing up. Loosen the brush holder screw in the cartridge and pull cartridge out.



2. Remove worn brushes. If the brushes should fall into the tool, be sure to shake them out before reinserting the cartridge. Discard **BOTH** brushes. Brushes should always be replaced in sets.
3. A set of spare brushes is provided in the cartridge. Remove the brushes from storage compartment.
4. Position new brushes with the flat silver end facing into the brush holder. Push cartridge into the tool and press evenly on top and bottom of the cartridge to align terminals for proper connection.
5. Tighten the brush holder screw gently. If the head of screw is damaged, use only **MILWAUKEE** replacement parts.

WARNING Never use a different screw as a brush holder screw.

Maintaining Tools

Keep your tool in good repair by adopting a regular maintenance program. Before use, examine the general condition of your tool. Inspect guards, switches, tool cord set and extension cord for damage. Check for loose screws, misalignment, binding of moving parts, improper mounting, broken parts and any other condition that may affect its safe operation. If abnormal noise or vibration occurs, turn the tool off immediately and have the problem corrected before further use. Do not use a damaged tool. Tag damaged tools "DO NOT USE" until repaired (see "Repairs").

Under normal conditions, relubrication is not necessary until the motor brushes need to be replaced. After six months to one year, depending on use, return your tool to the nearest **MILWAUKEE** service facility for the following:

- Lubrication
- Brush inspection and replacement
- Mechanical inspection and cleaning (gears, spindles, bearings, housing, etc.)
- Electrical inspection (switch, cord, armature, etc.)
- Testing to assure proper mechanical and electrical operation

WARNING To reduce the risk of injury, electric shock and damage to the tool, never immerse your tool in liquid or allow a liquid to flow inside the tool.

Cleaning

Clean dust and debris from vents. Keep the tool handles clean, dry and free of oil or grease. Use only mild soap and a damp cloth to clean your tool since certain cleaning agents and solvents are harmful to plastics and other insulated parts. Some of these include: gasoline, turpentine, lacquer thinner, paint thinner, chlorinated cleaning solvents, ammonia and household detergents containing ammonia. Never use flammable or combustible solvents around tools.

Repairs

If your tool is damaged, return the entire tool to the nearest service center.

ACCESSORIES

WARNING To reduce the risk of injury, always unplug the tool before attaching or removing accessories. Use only specifically recommended accessories. Others may be hazardous.

For a complete listing of accessories refer to your **MILWAUKEE** Electric Tool catalog or go on-line to www.milwaukeetool.com. To obtain a catalog, contact your local distributor or a service center.

LIMITED WARRANTY - USA AND CANADA

Every MILWAUKEE power tool (including cordless product – tool, battery pack(s) - see separate & distinct CORDLESS BATTERY PACK LIMITED WARRANTY statements & battery charger and Work Lights*) is warranted to the original purchaser only to be free from defects in material and workmanship. Subject to certain exceptions, MILWAUKEE will repair or replace any part on an electric power tool which, after examination, is determined by MILWAUKEE to be defective in material or workmanship for a period of five (5) years* after the date of purchase unless otherwise noted. Return of the power tool to a MILWAUKEE factory Service Center location or MILWAUKEE Authorized Service Station, freight prepaid and insured, is required. A copy of the proof of purchase should be included with the return product. This warranty does not apply to damage that MILWAUKEE determines to be from repairs made or attempted by anyone other than MILWAUKEE authorized personnel, misuse, alterations, abuse, normal wear and tear, lack of maintenance, or accidents.

*The warranty period for, Job Site Radios, M12™ Power Port, M18™ Power Source, and Trade Titan™ Industrial Work Carts is one (1) year from the date of purchase. The warranty period for a LED Work Light and LED Upgrade Bulb is a limited LIFETIME warranty to the original purchaser only, if during normal use the LED bulb fails the Work Light or Upgrade Bulb will be replaced free of charge.

*This warranty does not cover Air Nailers & Stapler, Airless Paint Sprayer, Cordless Battery Packs, Gasoline Driven Portable Power Generators, Hand Tools, Hoist – Electric, Lever & Hand Chain, M12™ Heated Jackets, Reconditioned product and Test & Measurement products. There are separate and distinct warranties available for these products.

Warranty Registration is not necessary to obtain the applicable warranty on a MILWAUKEE power tool product. The manufacturing date of the product will be used to determine the warranty period if no proof of purchase is provided at the time warranty service is requested.

ACCEPTANCE OF THE EXCLUSIVE REPAIR AND REPLACEMENT REMEDIES DESCRIBED HEREIN IS A CONDITION OF THE CONTRACT FOR THE PURCHASE OF EVERY MILWAUKEE PRODUCT. IF YOU DO NOT AGREE TO THIS CONDITION, YOU SHOULD NOT PURCHASE THE PRODUCT. IN NO EVENT SHALL MILWAUKEE BE LIABLE FOR ANY INCIDENTAL, SPECIAL, CONSEQUENTIAL OR PUNITIVE DAMAGES, OR FOR ANY COSTS, ATTORNEY FEES, EXPENSES, LOSSES OR DELAYS ALLEGED TO BE AS A CONSEQUENCE OF ANY DAMAGE TO, FAILURE OF, OR DEFECT IN ANY PRODUCT INCLUDING, BUT NOT LIMITED TO, ANY CLAIMS FOR LOSS OF PROFITS. SOME STATES DO NOT ALLOW THE EXCLUSION OR LIMITATION OF INCIDENTAL OR CONSEQUENTIAL DAMAGES, SO THE ABOVE LIMITATION OR EXCLUSION MAY NOT APPLY TO YOU. THIS WARRANTY IS EXCLUSIVE AND IN LIEU OF ALL OTHER EXPRESS WARRANTIES, WRITTEN OR ORAL. TO THE EXTENT PERMITTED BY LAW, MILWAUKEE DISCLAIMS ANY IMPLIED WARRANTIES, INCLUDING WITHOUT LIMITATION ANY IMPLIED WARRANTY OF MERCHANTABILITY OR FITNESS FOR A PARTICULAR USE OR PURPOSE; TO THE EXTENT SUCH DISCLAIMER IS NOT PERMITTED BY LAW, SUCH IMPLIED WARRANTIES ARE LIMITED TO THE DURATION OF THE APPLICABLE EXPRESS WARRANTY AS DESCRIBED ABOVE. SOME STATES DO NOT ALLOW LIMITATIONS ON HOW LONG AN IMPLIED WARRANTY LASTS, SO THE ABOVE LIMITATION MAY NOT APPLY TO YOU. THIS WARRANTY GIVES YOU SPECIFIC LEGAL RIGHTS, AND YOU MAY ALSO HAVE OTHER RIGHTS WHICH VARY FROM STATE TO STATE. This warranty applies to product sold in the U.S.A. and Canada only.

Please consult the 'Service Center Search' in the Parts & Service section of MILWAUKEE's website www.milwaukeekeetool.com or call 1.800.SAWDUST (1.800.729.3878) to locate your nearest service facility for warranty and non-warranty service on a Milwaukee electric power tool.

LIMITED WARRANTY - MEXICO, CENTRAL AMERICA AND CARIBBEAN

TECHTRONIC INDUSTRIES' warranty is for 5 year since the original purchase date.

This warranty card covers any defect in material and workmanship on this Power Tool.

To make this warranty valid, present this warranty card, sealed/stamped by the distributor or store where you purchased the product, to the Authorized Service Center (ASC). Or, if this card has not been sealed/stamped, present the original proof of purchase to the ASC.

Call toll-free 1 800 832 1949 to find the nearest ASC, for service, parts, accessories or components.

Procedure to make this warranty valid

Take the product to the ASC, along with the warranty card sealed/stamped by the distributor or store where you purchased the product, and there any faulty piece or component will be replaced without cost for you. We will cover all freight costs relative with this warranty process.

Exceptions

This warranty is not valid in the following situations:

- When the product is used in a different manners from the end-user guide or instruction manual.
- When the conditions of use are not normal.
- When the product was modified or repaired by people not authorized by TECHTRONIC INDUSTRIES.

Note: If cord set is damaged, it should be replaced by an Authorized Service Center to avoid electric risks.

SERVICE AND ATTENTION CENTER
Av. Presidente Mazarik 29 Piso 7, 11570 Chapultepec Morales
Miguel Hidalgo, Distrito Federal, Mexico
Ph. 52 55 4160-3547

IMPORTED AND COMMERCIALIZED BY:
TECHTRONIC INDUSTRIES MEXICO, S.A. DE C.V.
Av. Presidente Mazarik 29 Piso 7, 11570 Chapultepec Morales
Miguel Hidalgo, Distrito Federal, Mexico

Model: _____

Date of Purchase: _____

Distributor or Store Stamp: _____

RÈGLES DE SÉCURITÉ GÉNÉRALES RELATIVES AUX OUTILS ÉLECTRIQUES

AVERTISSEMENT LIRE TOUTES LES RÈGLES ET INSTRUCTIONS DE SÉCURITÉ. Ne pas suivre l'ensemble des règles et instructions peut entraîner une électrocution, un incendie ou des blessures graves. **Conserver les règles et les instructions à des fins de référence ultérieure.** Le terme «outil électrique» figurant dans les avertissements ci-dessous renvoie à l'outil électrique à alimentation par le réseau (à cordon) ou par batterie (sans fil).

SÉCURITÉ DU LIEU DE TRAVAIL

- **Maintenir la zone de travail propre et bien éclairée.** Les zones encombrées ou mal éclairées sont favorables aux accidents.
- **Ne pas utiliser d'outil électrique dans une atmosphère explosive, telle qu'en en présence de liquides, de gaz ou de poussières inflammables.** Les outils électriques génèrent des étincelles qui peuvent enflammer les poussières ou les fumées.
- **Tenir les enfants et les personnes non autorisées à l'écart pendant le fonctionnement d'un outil électrique.** Un manque d'attention de l'opérateur risque de lui faire perdre le contrôle de l'outil.

SÉCURITÉ ÉLECTRIQUE

- **La fiche de l'outil électrique doit correspondre à la prise d'alimentation. Ne jamais modifier la fiche d'une manière quelconque. Ne pas utiliser d'adaptateur avec les outils électriques mis à la terre (à la masse).** Des fiches non modifiées et des prises d'alimentation assorties réduisent le risque de choc électrique.
- **Éviter tout contact corporel avec des surfaces reliées à la masse ou à la terre telles que tuyaux, radiateurs, cuisinières et réfrigérateurs.** Un risque de choc électrique plus élevé existe si le corps est relié à la masse ou à la terre.
- **Ne pas exposer les outils électriques à la pluie ou à l'humidité.** Le risque de choc électrique augmente si de l'eau s'infiltré dans un outil électrique.
- **Prendre soin du cordon. Ne jamais utiliser le cordon pour transporter, tirer ou débrancher l'outil électrique. Tenir le cordon à l'écart de la chaleur, des huiles, des arêtes coupantes ou des pièces en mouvement.** Un cordon endommagé ou emmêlé présente un risque accru de choc électrique.
- **Se procurer un cordon d'alimentation approprié en cas d'utilisation d'un outil électrique à l'extérieur.** L'utilisation d'un cordon d'alimentation pour usage extérieur réduit le risque de choc électrique.
- **S'il est nécessaire d'utiliser l'outil électrique dans un endroit humide, installer un disjoncteur différentiel (GFCI).** L'utilisation d'un GFCI réduit le risque de décharge électrique.

SÉCURITÉ INDIVIDUELLE

- **Être sur ses gardes, être attentif et faire preuve de bon sens en utilisant un outil électrique. Ne pas utiliser un outil électrique en cas de fatigue ou sous l'influence de drogues, d'alcool ou de médicaments.** Un instant d'inattention lors de l'utilisation d'un outil électrique peut entraîner des blessures graves.

- **Porter l'équipement de protection requis. Toujours porter une protection oculaire.** Selon les conditions, porter aussi un masque anti-poussières, des bottes de sécurité antidérapantes, un casque protecteur ou une protection auditive afin de réduire les blessures.
- **Empêcher les démarrages accidentels. S'assurer que la gâchette est en position d'arrêt avant de brancher l'outil à une source de courant, d'insérer la batterie, de le ramasser ou de le transporter.** Le fait de transporter l'outil en gardant le doigt sur la gâchette ou de le brancher lorsque la gâchette est en position de marche favorise les accidents.
- **Retirer toute clé de réglage avant de mettre l'outil sous tension.** Une clé laissée attachée sur une pièce mobile de l'outil électrique peut entraîner des blessures.
- **Ne pas travailler à bout de bras. Bien garder un bon équilibre à tout instant.** Ceci permet de mieux préserver la maîtrise de l'outil électrique dans des situations imprévues.
- **Porter des vêtements adéquats. Ne pas porter de vêtements amples ni de bijoux. Ne pas approcher les cheveux, vêtements et gants des pièces en mouvement.** Les vêtements amples, les bijoux ou les cheveux longs risquent d'être happés par les pièces en mouvement.
- **Si des dispositifs sont prévus pour l'extraction et la récupération des poussières, vérifier qu'ils sont connectés et utilisés correctement.** L'utilisation de ces dispositifs peut réduire les risques liés aux poussières.

UTILISATION ET ENTRETIEN DE L'OUTIL ÉLECTRIQUE

- **Ne pas forcer l'outil électrique. Utiliser l'outil électrique approprié à l'application considérée.** L'outil électrique adapté au projet considéré produira de meilleurs résultats, dans des conditions de sécurité meilleures, à la vitesse pour laquelle il a été conçu.
- **Ne pas utiliser l'outil électrique si le commutateur ne le met pas sous ou hors tension.** Tout outil électrique dont le commutateur de marche-arrêt est inopérant est dangereux et doit être réparé.
- **Débrancher la fiche de la prise d'alimentation et/ou la batterie de l'outil électrique avant d'effectuer des réglages, de changer d'accessoires ou de ranger l'outil.** De telles mesures de sécurité préventive réduisent le risque de mettre l'outil en marche accidentellement.
- **Ranger les outils électriques inutilisés hors de la portée des enfants et ne pas laisser des personnes qui connaissent mal les outils électriques ou ces instructions utiliser ces outils.** Les

outils électriques sont dangereux dans les mains d'utilisateurs non formés à leur usage.

- **Entretien des outils électriques. S'assurer de l'absence de tout désalignement ou de grippage des pièces mobiles, de toute rupture de pièce ou de toute autre condition qui pourrait affecter le bon fonctionnement de l'outil électrique. En cas de dommages, faire réparer l'outil avant de l'utiliser de nouveau.** Les outils électriques mal entretenus sont à la source de nombreux accidents.
- **Garder les outils de coupe affûtés et propres.** Les outils de coupe correctement entretenus et bien affûtés risquent moins de se gripper et sont plus faciles à manier.
- **Utiliser l'outil électrique, les accessoires, les grains etc. conformément à ces instructions en tenant compte des conditions de travail et de la tâche à effectuer.** L'utilisation de cet outil électrique pour effectuer une opération pour laquelle il n'est pas conçu peut occasionner une situation dangereuse.

ENTRETIEN

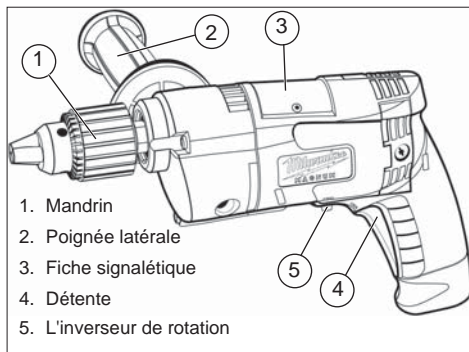
- **Faire effectuer l'entretien de l'outil électrique par un technicien qualifié qui n'utilisera que des pièces de rechange identiques.** La sécurité d'utilisation de l'outil en sera préservée.

RÈGLES DE SÉCURITÉ SPÉCIFIQUES

- **Utiliser les poignée(s) auxiliaire(s) si elles sont fournie(s) avec l'outil.** La perte de contrôle peut causer des blessures.
- **Tenir les outils par ses surfaces de préhension isolées lors des opérations pendant lesquelles l'accessoire de coupe peut entrer en contact avec du câblage caché ou avec son propre cordon d'alimentation.** Le contact d'un accessoire de coupe avec un fil sous tension « électrifié » les pièces métalliques exposées de l'outil et peut électrocuter l'utilisateur.
- **Entretenez les étiquettes et marqies de fabricant.** Les indications qu'elles contiennent sont précieuses. Si elles deviennent illisibles ou se détachent, faites-les remplacer gratuitement à un centre de service MILWAUKEE accrédité.
- **AVERTISSEMENT :** Certaines poussières générées par les activités de ponçage, de coupe, de rectification, de perçage et d'autres activités de construction contiennent des substances considérées être la cause de malformations congénitales et de troubles de l'appareil reproducteur. Parmi ces substances figurent :
 - le plomb contenu dans les peintures à base de plomb;
 - la silice cristalline des briques, du ciment et d'autres matériaux de maçonnerie, ainsi que
 - l'arsenic et le chrome des sciages traités chimiquement.

Les risques encourus par l'opérateur envers ces expositions varient en fonction de la fréquence de ce type de travail. Pour réduire l'exposition à ces substances chimiques, l'opérateur doit travailler dans une zone bien ventilée et porter l'équipement de sécurité approprié, tel qu'un masque anti-poussière spécialement conçu pour filtrer les particules microscopiques.

DESCRIPTION FONCTIONNELLE



1. Mandrin
2. Poignée latérale
3. Fiche signalétique
4. Détente
5. L'inverseur de rotation

PICTOGRAPHIE

	Double Isolation
	Ampères
	Volts
	Courant alternatif
n_0 XXXXmin. ⁻¹	Tours-minute. à vide (RPM)
	Underwriters Laboratories, Inc. États-Unis et Canada
	Inscription mexicaine d'approbation

SPÉCIFICATIONS

No de cat.	Volts AC	A	T-min. à vide
0233-20	120	5,5	0 - 2 800
0234-6	120	5,5	sans l'unité coudée 0 - 950 l'unité coudée bas 0 - 630 l'unité coudée haut 0 - 1 425
0235-21	120	5,5	0 - 950
0244-1	120	5,5	sans l'unité coudée 0 - 700 l'unité coudée bas 0 - 465 l'unité coudée haut 0 - 1 050

l'unité coudée 48-06-2871

CORDONS DE RALLONGE

Si l'emploi d'un cordon de rallonge est nécessaire, un cordon à trois fils doit être employé pour les outils mis à la terre. Pour les outils à double isolation, on peut employer indifféremment un cordon de rallonge à deux ou trois fils. Plus la longueur du cordon entre l'outil et la prise de courant est grande, plus le calibre du cordon doit être élevé. L'utilisation d'un cordon de rallonge incorrectement calibré entraîne une chute de voltage résultant en une perte de puissance qui risque de détériorer l'outil. Reportez-vous au tableau ci-contre pour déterminer le calibre minimum du cordon. Moins le calibre du fil est élevé, plus sa conductivité est bonne. Par exemple, un cordon de calibre 14 a une meilleure conductivité qu'un cordon de calibre 16. Lorsque vous utilisez plus d'une rallonge pour couvrir la distance, assurez-vous que chaque cordon possède le calibre minimum requis. Si vous utilisez un seul cordon pour brancher plusieurs outils, additionnez le chiffre d'intensité (ampères) inscrit sur la fiche signalétique de chaque outil pour obtenir le calibre minimal requis pour le cordon.

Directives pour l'emploi des cordons de rallonge

- Si vous utilisez une rallonge à l'extérieur, assurez-vous qu'elle est marquée des sigles « W-A » (« W » au Canada) indiquant qu'elle est adéquate pour usage extérieur.
- Assurez-vous que le cordon de rallonge est correctement câblé et en bonne condition. Remplacez tout cordon de rallonge détérioré ou faites-le remettre en état par une personne compétente avant de vous en servir.
- Tenez votre cordon de rallonge à l'écart des objets rattachants, des sources de grande chaleur et des endroits humides ou mouillés.

Calibres minimaux recommandés pour les cordons de rallonge*

Fiche signalétique Ampères	Longueur du cordon de rallonge (m)					
	7,6	12,2	22,8	30,4	45,7	60,9
0 - 5,0	16	16	16	14	12	12
5,1 - 8,0	16	16	14	12	10	--
8,1 - 12,0	14	14	12	10	--	--
12,1 - 15,0	12	12	10	10	--	--
15,1 - 20,0	10	10	10	--	--	--

* Basé sur sur une chute de voltage limite de 5 volts à 150% de l'intensité moyenne de courant.

LISEZ ATTENTIVEMENT CES INSTRUCTIONS ET CONSERVEZ-LES POUR LES CONSULTER AU BESOIN.

MISE A LA TERRE

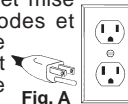
AVERTISSEMENT Si le fil de mise à la terre est incorrectement raccordé, il peut en résulter des risques de choc électrique. Si vous n'êtes pas certain que la prise dont vous vous servez est correctement mise à la terre, faites-la vérifier par un électricien. **N'altérez pas la fiche du cordon de l'outil. N'enlevez pas de la fiche, la dent qui sert à la mise à la terre. N'employez pas l'outil si le cordon ou la fiche sont en mauvais état. Si tel est le cas, faites-les réparer dans un centre-service MILWAUKEE accrédité avant de vous en servir. Si la fiche du cordon ne s'adapte pas à la prise, faites remplacer la prise par un électricien.**

Outils mis à la terre : Outils pourvus d'une fiche de cordon à trois dents

Les outils marqués « Mise à la terre requise » sont pourvus d'un cordon à trois fils dont la fiche a trois dents. La fiche du cordon doit être branchée sur une prise correctement mise à la terre (voir Figure A). De cette façon, si une défectuosité dans le circuit électrique de l'outil survient, le relais à la terre fournira un conducteur à faible résistance pour décharger le courant et protéger l'utilisateur contre les risques de choc électrique.

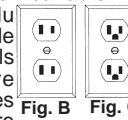
La dent de mise à la terre de la fiche est reliée au système de mise à la terre de l'outil via le fil vert du cordon. Le fil vert du cordon doit être le seul fil raccordé à un bout au système de mise à la terre de l'outil et son autre extrémité ne doit jamais être raccordée à une borne sous tension électrique.

Votre outil doit être branché sur une prise appropriée, correctement installée et mise à la terre conformément aux codes et ordonnances en vigueur. La fiche du cordon et la prise de courant doivent être semblables à celles de la Figure A.



Outils à double isolation : Outils pourvus d'une fiche de cordon à deux dents

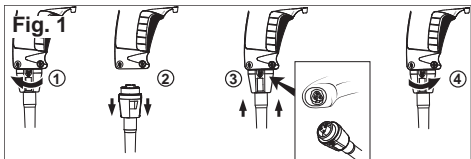
Les outils marqués « Double Isolation » n'ont pas besoin d'être raccordés à la terre. Ils sont pourvus d'une double isolation conforme aux exigences de l'OSHA et satisfont aux normes de l'Underwriters Laboratories, Inc., de l'Association canadienne de normalisation (ACNOR) et du « National Electrical Code » (code national de l'électricité). Les outils à double isolation peuvent être branchés sur n'importe laquelle des prises à 120 volt illustrées ci-contre Figure B et C.



MONTAGE DE L'OUTIL

AVERTISSEMENT Pour minimiser les risques de blessures, débranchez toujours l'outil avant d'y faire des réglages, d'y attacher ou d'en enlever les accessoires. L'usage d'accessoires autres que ceux qui sont spécifiquement recommandés pour cet outil peut comporter des risques.

Retrait et remplacement du cordon Quik-Lok®
Les cordons Quik-Lok® exclusifs à MILWAUKEE permettent d'installer le cordon ou de le remplacer sur place en un tournemain.



1. Pour retirer le cordon Quik-Lok®, tournez l'écrou du cordon 1/4 de tour vers la gauche et retirez-le.
2. Pour remettre le cordon en place, alignez les rainures à clavettes du connecteur et poussez le connecteur aussi loin que possible. Tournez ensuite l'écrou du cordon 1/4 de tour vers la droite pour le verrouiller.

Installation de la poignée latérale

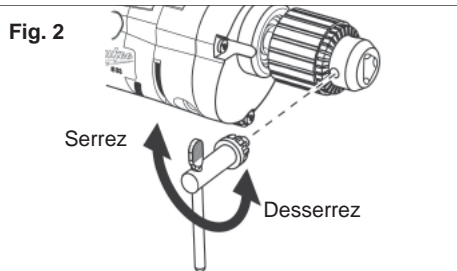
Les perceuses MILWAUKEE Magnum sont pourvues d'une poignée latérale qui peut être installée sur l'un ou l'autre des côtés de l'outil pour usage gaucher ou droitier. Pour installer la poignée latérale, vissez-la à fond dans l'orifice fileté sur le côté désiré. Servez-vous toujours de la poignée latérale pour obtenir une meilleure maîtrise de l'outil.

AVERTISSEMENT Pour prévenir les blessures corporelles, retirez toujours la clé du mandrin après chaque usage.

Pose des mèches dans le mandrin à clé (No de Cat. 0234-6, 0244-1)

Débranchez toujours l'outil avant d'installer ou d'enlever les mèches.

1. Écartez les mâchoires du mandrin, assez pour y insérer la mèche. Assurez-vous que la queue de la mèche et les mâchoires du mandrin sont propres car la saleté pourrait nuire à un alignement correct de la mèche.
2. Lorsque vous utilisez une mèche pour percer, insérez-la dans le mandrin. Centrez-la entre les mâchoires et retirez-la d'environ 1,6 mm (1/16") du fond du mandrin. Serrez les mâchoires à la main pour aligner la mèche.
Si vous servez de la perceuse comme tournevis, insérez la lame-tournevis assez loin pour que les mâchoires du mandrin en agrippent parfaitement la tige. Serrez les mâchoires du mandrin à la main pour aligner la pièce.
3. Placez la clé de mandrin dans chacun des trois trous du mandrin, tournez-la en sens horaire, tel qu'indiqué, et serrez-la à fond.

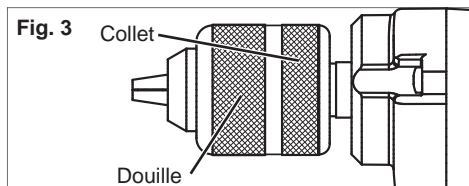


4. Pour retirer la lame, insérez la clé de mandrin dans l'un des trous du mandrin et tournez-la en sens inverse-horaire.

AVERTISSEMENT Pour réduire les risques de blessures: N'empoignez pas la mèche pendant que le mandrin est en mouvement ou pendant que la mèche est éjectée du mandrin. Relâchez la détente dès que le mécanisme à rochet s'arrête, afin d'éviter

Pose des mèches dans le mandrin sans clé (No de Cat. 0233-20)

Les outils sont pourvus d'un mandrin sans clé à serrage manuel. Débranchez toujours l'outil avant d'installer ou d'enlever les mèches.

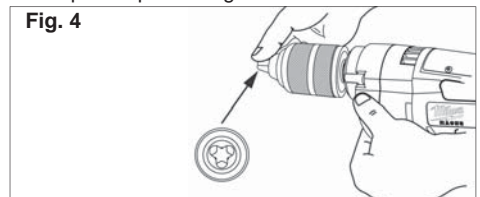


1. Pour écarter les mâchoires du mandrin, tournez la douille en sens inverse-horaire.
Si vous insérez une mèche pour percer, laissez la mèche atteindre le fond du mandrin. Centrez-la entre les mâchoires du mandrin et retirez-la d'environ 1,6 mm (1/16") du fond.
Si vous insérez une pièce tourne-vis, poussez-la assez loin dans le mandrin pour que les mâchoires en agrippent la tige hex.
2. Pour refermer les mâchoires du mandrin, tenez le collet en faisant tourner la douille en sens horaire. Serrez à fond.

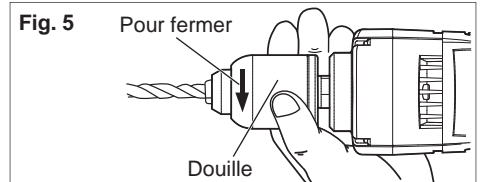
Pose des mèches dans le mandrin à manchon simple et serrage sans clé (No de Cat. 0235-21)

Les outils sont pourvus d'un mandrin à manchon simple et d'un mécanisme d'encliquetage sans clé. Débranchez toujours l'outil avant d'y installer ou d'en retirer un foret.

1. Pour écarter les mâchoires du mandrin, tournez le manchon du mandrin en sens inverse-horaire.
2. Pour installer un foret, écartez les mâchoires du mandrin pour introduire le foret. Centrez le foret entre les mâchoires et retirez-le d'environ 1,6 mm (1/16") du fond du mandrin. Alignez le foret tel qu'indiqué à la figure 4.



3. Pour refermer les mâchoires, faites tourner le manchon du mandrin en sens horaire, et serrez-le à fond (Fig. 5). En serrant le manchon, vous percevrez plusieurs encliquetages.



N.B. Si l'arbre tourne avec le manchon, empoignez le mandrin et faites-le tourner légèrement d'un côté et de l'autre pour engager le mécanisme d'encliquetage.

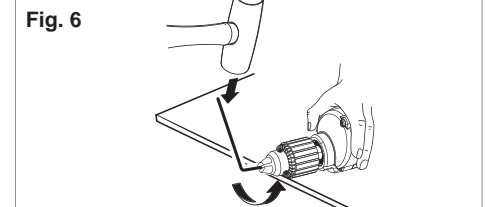
L'arbre demeurera verrouillé jusqu'à ce que l'outil soit mis en marche. Le mécanisme d'encliquetage se déclenchera de lui-même lorsque l'outil sera mis en marche.

AVERTISSEMENT Pour minimiser les risques de blessures, portez des lunettes à coques latérales.

Retrait du mandrin

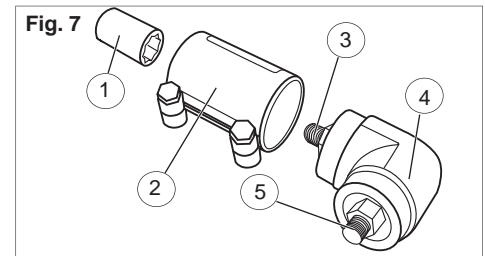
Cet outil est pourvu d'un pivot fileté sur lequel est vissé le mandrin. Avant de retirer le mandrin, débranchez l'outil et écartez les mâchoires du mandrin. Une vis à pas gauche est posée à l'intérieur du mandrin pour l'empêcher de se relâcher lorsque la rotation est inversée. Enlevez la vis en la tournant en sens horaire. Pour retirer le mandrin, tenez l'outil de façon à ce que le mandrin repose solidement sur l'établi. Serrez une clé hex en le mandrin. Tournez le mandrin pour que la clé soit à un angle d'environ 30° de la surface de l'établi et donnez un coup sec à la clé avec un marteau pour faire tourner le mandrin en sens inverse-horaire (vu du devant de l'outil). Cette technique devrait desserrer le mandrin de pivot à filetage droitier et faciliter le retrait du mandrin avec la main.

N.B. Lorsque vous remontez le mandrin, n'oubliez pas de poser la vis à pas gauche dans le mandrin.



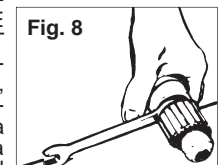
Fixation de l'unité coudée à la perceuse

1. Retirez le mandrin de la perceuse selon les instructions intitulées « Retrait du mandrin de la perceuse ». Glissez le manchon polygonal (1) sur la partie hexagonale du pivot de la perceuse. Dévissez les vis de fixation sur la douille de fixation (2) et glissez la douille sur le collet de la perceuse.
2. Passez la tête coudée (4) sur l'autre bout de la douille et tournez-la légèrement dans les deux sens pour que le trou hexagonal du manchon (1) s'engage sur la partie hexagonale du pivot (3).
N.B. La pose du mandrin sur le côté marqué « LOW » réduira la vitesse de rotation du tiers ou 33%. La fixation du mandrin au pivot opposé augmente la vitesse de rotation de 50%.
3. Après avoir monté la tête coudée, tournez-la à la position désirée et serrez les vis de fixation pour la maintenir en place. Vissez le mandrin sur le pivot de la tête coudée (5). **POSEZ LA VIS DE VERROUILLAGE DU MANDRIN.**



Retrait du mandrin de l'unité coudée

Le mandrin peut être retiré de l'unité coudée de la même façon qu'il se retire de la perceuse, cependant, **RETIREZ TOUJOURS L'UNITÉ COUDÉE DE LA PERCEUSE AVANT D'ESSAYER DE DÉVISSER LE MANDRIN.** Ceci, peut prévenir les dommages aux engrenages de la perceuse. Utilisez la clé à fourche fournie avec l'outil pour bloquer le pivot de l'unité coudée, avant d'essayer de dévisser le mandrin.



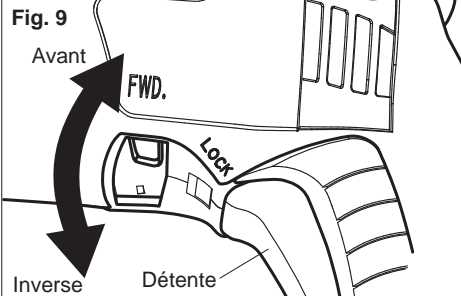
MANIEMENT

AVERTISSEMENT Pour minimiser les risques de blessures, débranchez toujours l'outil avant d'y faire des réglages, d'y attacher ou d'en enlever les accessoires. L'usage d'accessoires autres que ceux qui sont spécifiquement recommandés pour cet outil peut comporter des risques.

AVERTISSEMENT Pour minimiser les risques de blessures, portez des lunettes à coques latérales.

Utilisation de l'inverseur de rotation

- Pour la rotation avant, (sens horaire) poussez le levier inverseur vers la marque « FWD », tel qu'indiqué.
- Pour inverser la rotation (sens inverse-horaire), poussez le levier inverseur vers la marque « REV », tel qu'indiqué. Malgré qu'un système de verrouillage réciproque empêche l'inversion de la rotation pendant que l'outil est en marche, laissez quand même l'outil s'arrêter complètement de tourner avant d'actionner le levier inverseur.



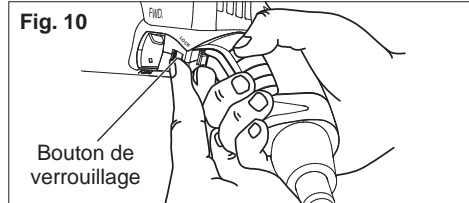
AVERTISSEMENT Pour minimiser les risques de blessures, gardez les mains et le cordon à distance de la mèche et des pièces en mouvement.

Démarrage, arrêt et contrôle de vitesse

- Pour mettre l'outil en marche, appuyez sur la détente.
- Pour arrêter l'outil, relâchez la détente.
- Pour varier la vitesse de rotation, il suffit simplement d'augmenter ou de diminuer la pression sur la détente. Plus la détente est enfoncée, plus la vitesse est grande.

Verrouillage de la détente

Le bouton de verrouillage placé à côté de la détente sert à maintenir la détente en position de marche « ON » pour la rotation interrompue à plein régime.



- Pour verrouiller la détente, enfoncez le bouton de verrouillage tout en appuyant sur la détente. Relâchez la détente.
- Pour déverrouiller la détente, enfoncez et relâchez la détente.

AVERTISSEMENT Pour minimiser les risques d'explosion, choc électrique, et dommage à la propriété, inspectez l'aire de travail pour en déceler les tuyaux et les câbles électriques avant perçage.

Perçage

- Avant de driller, assurez-vous que le matériau est fixé solidement. Appuyez-le sur une pièce rigide pour éviter de l'endommager en passant au travers.
- Pour commencer à percer un trou, placez le foret sur la surface à travailler et appuyez fermement sur l'outil. Commencez à driller lentement pour ensuite augmenter la vitesse de perçage.
- Appliquez toujours la pression en droite ligne avec le foret. Appuyez assez fermement pour qu'il morde dans la pièce sans toutefois causer l'arrêt du moteur.
- Réduisez la pression et relâchez la rotation en arrivant à la phase finale du perçage. Pour éviter le blocage, retirez le foret du trou tandis que l'outil tourne encore.

Blocage

Si l'outil semble vouloir se coincer, maintenez-le solidement et réduisez légèrement la pression afin que le moteur puisse reprendre de la vitesse. Si l'outil reste coincé, relâchez immédiatement la détente. Inversez la rotation et retirez le foret de la pièce à travailler avant de recommencer le perçage. Il est inutile d'essayer de remettre l'outil en marche lorsqu'il est coincé. Des tentatives intermittentes de remise en marche pourraient endommager la perceuse.

APPLICATIONS

CAPACITIES

No. de cat.	Bois				Acier			Maçonnerie
	Mèches d'alésage	Mèches à bois	Mèches à bateau	Mèches tire-fond	Lames-scies	Forets héli.	Lames-scies	Forets à pointe carburée
0233-20	25 mm (1")	N/R	N/R	N/R	45 mm (1-3/4")	10 mm (3/8")	25 mm (1")	10 mm (3/8")
0234-6	38 mm (1-1/2")	38 mm (1-1/2")	32 mm (1-1/4")	51 mm (2")	102 mm (4")	13 mm (1/2")	51 mm (2")	13 mm (1/2")
l'unité coudée bas	38 mm (1-1/2")	38 mm (1-1/2")	38 mm (1-1/2")	57 mm (2-1/4")	114 mm (4-1/2")	13 mm (1/2")	54 mm (2-1/8")	14 mm (9/16")
l'unité coudée haut	38 mm (1-1/2")	29 mm (1-1/8")	25 mm (1")	38 mm (1-1/2")	70 mm (2-3/4")	13 mm (1/2")	38 mm (1-1/2")	11 mm (7/16")
0235-21	38 mm (1-1/2")	38 mm (1-1/2")	32 mm (1-1/4")	51 mm (2")	102 mm (4")	13 mm (1/2")	51 mm (2")	13 mm (1/2")
0244-1	38 mm (1-1/2")	38 mm (1-1/2")	38 mm (1-1/2")	57 mm (2-1/4")	114 mm (4-1/2")	13 mm (1/2")	57 mm (2-1/4")	14 mm (9/16")
l'unité coudée bas	38 mm (1-1/2")	38 mm (1-1/2")	38 mm (1-1/2")	65 mm (2-9/16")	127 mm (5")	13 mm (1/2")	57 mm (2-1/4")	16 mm (5/8")
l'unité coudée haut	38 mm (1-1/2")	38 mm (1-1/2")	32 mm (1-1/4")	45 mm (1-3/4")	83 mm (3-1/4")	13 mm (1/2")	45 mm (1-3/4")	13 mm (1/2")

NR = Non recommandable

Choix des mèches

Lorsque vous choisissez une mèche, employez la mèche appropriée pour le travail à exécuter. Pour un meilleur forage, n'employez que des mèches bien affûtées.

Perçage dans le bois, les agglomérés et le plastique

Lorsque vous percez dans le bois, les agglomérés et le plastique, commencez à driller lentement pour augmenter graduellement la vitesse. Si vous employez une mèche hélicoïdale, sortez fréquemment la mèche du trou pour en débarrasser les cannelures des rognures. Drillez à basse vitesse dans les plastiques dont le point de fusion est peu élevé.

Forage dans la maçonnerie

Pour driller dans un ouvrage de maçonnerie, servez-vous d'un foret d'acier-rapide à pointe de carbure et drillez lentement. Pour driller dans la maçonnerie molle comme les blocs de cendre, par exemple, n'appliquez qu'une légère pression sur l'outil. Pour les matériaux plus durs comme le béton, appliquez plus de pression sur l'outil. Le perçage s'effectue correctement lorsqu'une fine poussière s'échappe du trou. Ne laissez pas le foret tourner à vide dans le trou si elle ne mord pas, car cela pourrait l'émousser. N'utilisez pas de l'eau pour refroidir le foret ou abattre la poussière. L'eau peut endommager la pointe de carbure et constituer un risque de choc électrique.

Perçage dans le métal

Pour percer le métal, employez des forets d'acier-rapide de forme hélicoïdale ou des lames-scies du même métal. Lubrifiez le foret avec de l'huile de coupe lorsque vous drillez dans l'acier ou le fer. Pour les métaux non ferreux comme le cuivre, l'étain et l'aluminium, employez un liquide refroidisseur. Appuyez la pièce à travailler sur une pièce rigide pour éviter le grippage ou le gauchissement du foret à la phase finale du perçage.

Vissage

Pour enfoncer les vis, employez la pièce tournevis appropriée pour le travail à faire. Après avoir percé les trous-guides et les trous de mèche, commencez à visser lentement et augmentez progressivement la vitesse de vissage au fur et à mesure que la vis s'enfonce. Fixez la vis en ralentissant jusqu'à l'arrêt complet. N'enfoncez pas les vis à grande vitesse. Si la vitesse de vissage est trop grande, le couple de la perceuse peut provoquer la torsion du poignet au moment de la fixation de la vis. Pour retirer la vis, inversez la rotation de la perceuse.

AVERTISSEMENT Haute puissance rotatoire. Afin de réduire les risques de blessures, tenez toujours l'outil solidement et étayez-le fermement. Servez-vous toujours de la poignée latérale lorsque vous utilisez un outil dont le régime est de 1 200 t/min. ou moins.

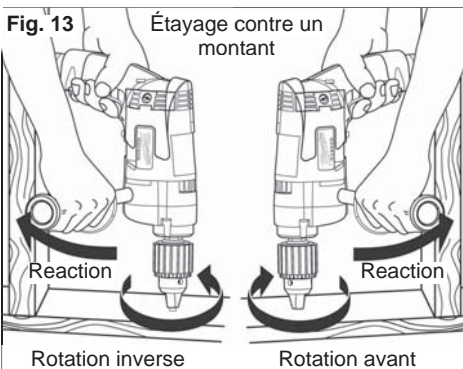
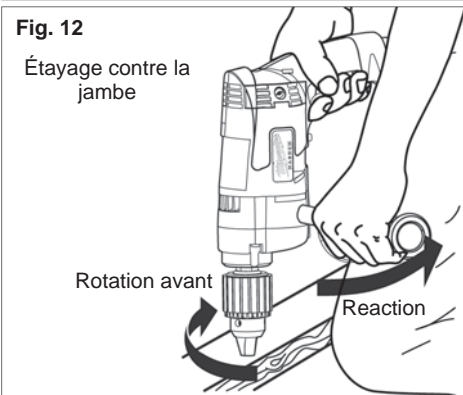
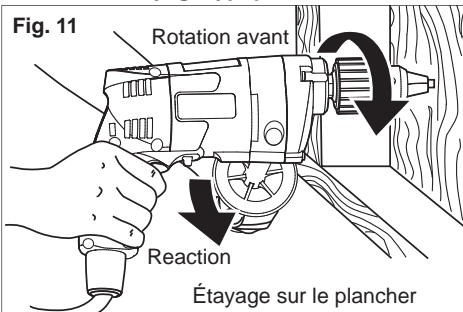
Coincement de mèches

Une grande force rotatoire se dégage lorsqu'une mèche reste coincée dans le matériau. L'outil est alors projeté dans la direction opposée à la rotation de la mèche (voir Fig. 11-13). Les mèches peuvent rester coincées lorsqu'elles sont mal alignées ou lorsqu'elles passent au travers du matériau. Les mèches à bois peuvent aussi rester coincées si elles viennent en contact avec des clous ou des noeuds. Prévenez les mouvements de recul dus au coincement de la mèche.

Pour minimiser les risques de coincement :

- Employez des mèches bien affûtées. Les mèches bien affûtées sont moins sujettes au coincement en cours de perçage.
- Utilisez une mèche appropriée à la tâche. Il y a des mèches pour chaque tâche spécifique.
- Soyez prudent lorsque vous percez dans des matériaux résineux, noueux, humides, ondulés ou parsemés de clous.

Méthodes d'étayage typiques

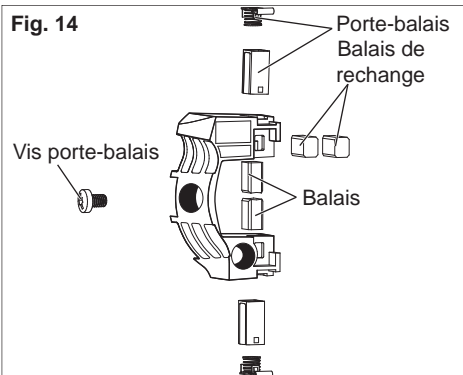


ENTRETIEN

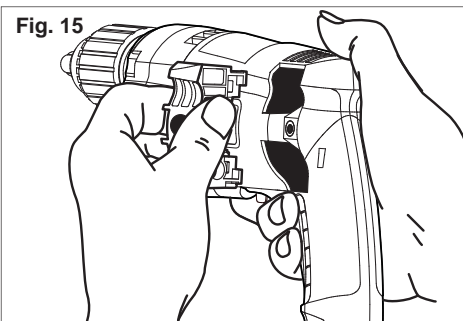
⚠ AVERTISSEMENT Pour minimiser les risques de blessures, débranchez toujours l'outil avant d'y effectuer des travaux de maintenance. Ne faites pas vous-même le démontage de l'outil ni le reboinage du système électrique. Consultez un centre de service **MILWAUKEE** accrédité pour toutes les réparations.

Remplacement des balais

Les perceuses « Magnum » **MILWAUKEE** sont pourvues d'un système exclusif de cartouche porte-balais. Ce système protège l'induit de l'outil en empêchant sa mise en marche si les balais sont usés à 3,2 mm (1/8"). Des balais neufs sont inclus dans la cartouche afin de permettre le remplacement rapide, n'importe où.



1. Débranchez l'outil et placez-le sur le côté, la cartouche tournée vers le haut. Dévissez la vis qui fixe le porte-balais dans la cartouche et retirez la cartouche.



2. Enlevez les balais usés. Si les balais tombent accidentellement dans l'outil, assurez-vous de les en expulser avant de réinstaller la cartouche. Disposez des deux balais usagés. Les balais doivent toujours être remplacés en paire.
3. Une paire de balais neufs est incluse dans la cartouche. Retirez-les de leur case.

4. Placez les balais neufs avec le bout aplati argenté face au porte-balais. Enfoncez la cartouche dans l'outil et appuyez uniformément sur chaque bout pour aligner correctement les bornes et faire un bon contact.
5. Serrez légèrement la vis de fixation du porte-balais. Si la tête de la vis est en mauvais état, remplacez la vis seulement avec les pièces de rechange de **MILWAUKEE**.

⚠ AVERTISSEMENT N'utilisez jamais une vis différente pour fixer le porte-balais.

Entretien de l'outil

Gardez l'outil en bon état en adoptant un programme d'entretien ponctuel. Avant de vous en servir, examinez son état en général. Inspectez-en la garde, interrupteur, cordon et cordon de rallonge pour en déceler les défauts. Vérifiez le serrage des vis, l'alignement et le jeu des pièces mobiles, les vices de montage, bris de pièces et toute autre condition pouvant rendre le fonctionnement dangereux. Si un bruit ou une vibration insolite survient, arrêtez immédiatement l'outil et faites-le vérifier avant de vous en servir de nouveau. N'utilisez pas un outil défectueux. Fixez-y une étiquette marquée « HORS D'USAGE » jusqu'à ce qu'il soit réparé (voir « Réparations »).

Normalement, il ne sera pas nécessaire de lubrifier l'outil avant que le temps ne soit venu de remplacer les balais. Après une période pouvant aller de 6 mois à un an, selon l'usage, retournez votre outil à un centre de service **MILWAUKEE** accrédité pour obtenir les services suivants:

- Lubrification
- Inspection et remplacement des balais
- Inspection et nettoyage de la mécanique (engrenages, pivots, coussinets, boîtier etc.)
- Inspection électrique (interrupteur, cordon, induit etc)
- Vérification du fonctionnement électromécanique

⚠ AVERTISSEMENT Pour minimiser les risques de blessures, choc électrique et dommage à l'outil, n'immergez jamais l'outil et ne laissez pas de liquide s'y infiltrer.

Nettoyage

Débarrassez les événements des débris et de la poussière. Gardez les poignées de l'outil propres, à sec et exemptes d'huile ou de graisse. Le nettoyage de l'outil doit se faire avec un linge humide et un savon doux. Certains nettoyants tels l'essence, la térébenthine, les diluants à laque ou à peinture, les solvants chlorés, l'ammoniaque et les détergents d'usage domestique qui en contiennent pourraient détériorer le plastique et l'isolation des pièces. Ne laissez jamais de solvants inflammables ou combustibles auprès des outils.

Réparations

Si votre outil est endommagé, retourne l'outil entier au centre de maintenance le plus proche.

ACCESOIRES

⚠ AVERTISSEMENT Débranchez toujours l'outil avant de changer ou d'enlever les accessoires. L'utilisation d'autres accessoires que ceux qui sont spécifiquement recommandés pour cet outil peut comporter des risques.

Pour une liste complète des accessoires, prière de se reporter au catalogue **MILWAUKEE** Electric Tool ou visiter le site internet www.milwaukeetool.com. Pour obtenir un catalogue, il suffit de contacter votre distributeur local ou l'un des centres-service.

GARANTIE LIMITÉE - AUX ÉTATS-UNIS ET AU CANADA

Chaque outil électrique MILWAUKEE (y compris les produits sans fil [outils, piles, chargeur de piles, lampe de travail]; consulter les énoncés de la GARANTIE LIMITÉE DES BLOCS-PILES SANS FIL) est garanti à l'acheteur d'origine être exempt de vice de matériau et de fabrication. Sous réserve de certaines exceptions, MILWAUKEE réparera ou remplacera toute pièce d'un outil électrique qui, après examen par MILWAUKEE, s'est avérée être affectée d'un vice de matériau ou de fabrication pendant une période de cinq (5) ans* après la date d'achat, sauf indication contraire. Retourner l'outil électrique, à un centre de réparations en usine MILWAUKEE ou à un poste d'entretien agréé MILWAUKEE, en port prépayé et assuré. Une copie de la preuve d'achat doit être présentée au moment de retourner le produit. Cette garantie ne couvre pas les dommages que MILWAUKEE détermine être causés par des réparations ou des tentatives de réparation par quiconque autre que le personnel agréé par MILWAUKEE, des utilisations incorrectes, des altérations, des utilisations abusives, une usure normale, une carence d'entretien ou des accidents.

*La période de garantie applicable pour les radios de chantier, le port d'alimentation M12™, Source d'énergie M18™, et les chariots de travail industriels Trade Titan™ est d'une durée d'un (1) an à partir de la date d'achat. La période de la garantie couvrant la lampe de travail à DEL et l'ampoule améliorée à DEL est une garantie À VIE limitée à l'acheteur d'origine seulement; si, lors d'une utilisation normale, l'ampoule à DEL présente une défectuosité, la lampe de travail et l'ampoule seront remplacées sans frais.

*Cette garantie ne s'applique pas aux cloueuses-agrafeuses pneumatiques, aux pulvérisateurs à peinture sans air, aux blocs piles pour outils sans fil, aux générateurs d'alimentation portatives à essence, aux outils à main, aux monte-charge – électrique, à levier et à chaîne (manuel), aux vestes chauffantes M12™, aux produits résinés, ni aux produits d'essai et de mesure. Il existe des garanties distinctes pour ces produits.

L'enregistrement de la garantie n'est pas nécessaire pour bénéficier de la garantie en vigueur sur un outil électrique MILWAUKEE. La date de fabrication du produit servira à établir la période de garantie si aucune preuve d'achat n'est fournie lorsqu'une demande de service sous garantie est présentée.

L'ACCEPTATION DES RECOURS EXCLUSIFS DE RÉPARATION ET DE REMPLACEMENT DÉCRITS AUX PRÉSENTS EST UNE CONDITION DU CONTRAT D'ACHAT DE TOUT PRODUIT MILWAUKEE. SI VOUS N'ACCEPTÉZ PAS CETTE CONDITION, VOUS NE DEVEZ PAS ACHETER LE PRODUIT. EN AUCUN CAS MILWAUKEE NE SAURAIT ÊTRE RESPONSABLE DE TOUT DOMMAGE ACCESSOIRE, SPÉCIAL OU INDIRECT, DE DOMMAGES-INTÉRÊTS PUNITIFS OU DE TOUTE DÉPENSE, D'HONORAIRES D'AVOCATS, DE FRAIS, DE PERTE OU DE DÉLAIS ACCESSOIRES À TOUT DOMMAGE, DÉFAILLANCE OU DÉFAUT DE TOUT PRODUIT, Y COMPRIS NOTAMMENT LES PERTES DE PROFIT. CERTAINS ÉTATS ET PROVINCES NE PERMETTANT PAS L'EXCLUSION OU LA LIMITATION DES DOMMAGES DIRECTS OU INDIRECTS, LES RESTRICTIONS CIDESSUS PEUVENT NE PAS ÊTRE APPLICABLES. CETTE GARANTIE EST EXCLUSIVE ET REMPLACE TOUTE AUTRE GARANTIE EXPRESSE, QU'ELLE SOIT ORALE OU ÉCRITE. DANS LA MESURE PERMISE PAR LA LOI, MILWAUKEE RENONCE À TOUTE GARANTIE IMPLICITE, Y COMPRIS, SANS S'Y LIMITER, TOUTE GARANTIE IMPLICITE DE QUALITÉ MARCHANDE OU D'ADAPTATION À UNE UTILISATION OU À UNE FIN PARTICULIÈRE, DANS LA MESURE OU UNE TELLE STIPULATION D'EXONÉRATION N'EST PAS PERMISE PAR LA LOI, LA DURÉE DE CES GARANTIES IMPLICITES EST LIMITÉE À LA PÉRIODE APPLICABLE DE LA GARANTIE EXPRESSE, TEL QUE DÉCRIT PRÉCÉDEMMENT. CERTAINS ÉTATS ET PROVINCES NE PERMETTANT PAS DE LIMITATION DE DURÉE DES GARANTIES IMPLICITES, LES RESTRICTIONS CIDESSUS PEUVENT NE PAS ÊTRE APPLICABLES. LA PRÉSENTE CONFÈRE À L'UTILISATEUR DES DROITS LÉGAUX PARTICULIERS; IL BÉNÉFICIE ÉGALEMENT D'AUTRES DROITS QUI VARIENT D'UN ÉTAT À L'AUTRE.

Cette garantie s'applique aux produits vendus aux États-Unis et au Canada uniquement.

Veuillez consulter la rubrique Centre SAV MILWAUKEE, dans la section Pièces & Service du site Web de MILWAUKEE, à l'adresse www.milwaukeeool.com, ou composer le 1-800-SAWDUST (1-800-729-3878) afin de trouver le centre de réparations en usine MILWAUKEE le plus près.

GARANTIE LIMITÉE – MEXIQUE, AMÉRIQUE CENTRALE ET CARAÏBES

TECHTRONIC INDUSTRIES' garantit le produit pendant cinq ans à partir de la date d'achat d'origine. Le présent bon de garantie couvre tous les vices de matériau et de fabrication qui peut afficher cet outil électrique. Pour assurer la validité de la présente garantie, veuillez présenter le bon de commande, estampillé du sceau du distributeur ou du magasin où le produit a été acheté, au centre de réparations agréé. Si le bon de commande n'a pas été estampillé, veuillez fournir la preuve d'achat d'origine au centre de réparations agréé. Pour un entretien, des pièces, des accessoires ou d'autres composants, composer sans frais le 1-800-832-1949 afin d'obtenir les coordonnées du centre de réparations agréé le plus près.

Procédure pour assurer la validité de la garantie

Présenter le produit au centre de réparations agréé, accompagné du bon de commande estampillé du sceau du distributeur ou du magasin où le produit a été acheté. Toute pièce défectueuse ou tout composant défectueux sera remplacé sans frais. Milwaukee assume tous les frais de transport liés à ce processus de garantie.

Exceptions

La garantie ne s'applique pas dans les situations suivantes :

- Si le produit a été utilisé pour une fin autre que celle indiquée dans le guide de l'utilisateur final ou le manuel d'instructions.
- Si les conditions d'utilisations ne sont pas habituelles.
- Si le produit a été modifié ou réparé par une personne non autorisée par TECHTRONIC INDUSTRIES.

Note : Si le cordon électrique est endommagé, il doit être remplacé par un centre de réparations agréé pour éviter les risques d'électrocution.

Modèle : _____

Date d'achat : _____

Sceau du distributeur ou du magasin : _____

CENTRE DE RÉPARATIONS ET DE SERVICE
Av Presidente Mazarik 29 Piso 7, 11570 Chapultepec Morales
Miguel Hidalgo, Distrito Federal, Mexico
Ph. 52 55 4160-3547

IMPORTÉ ET COMMERCIALISÉ PAR :
TECHTRONIC INDUSTRIES MEXICO, S.A. DE C.V.
Av Presidente Mazarik 29 Piso 7, 11570 Chapultepec Morales
Miguel Hidalgo, Distrito Federal, Mexico

ADVERTENCIAS DE SEGURIDAD GENERALES PARA LA HERRAMIENTA ELÉCTRICA

⚠ ADVERTENCIA LEA TODAS LAS ADVERTENCIAS E INSTRUCCIONES DE SEGURIDAD. Si no sigue todas las advertencias e instrucciones, se pueden provocar una descarga eléctrica, un incendio o lesiones graves.

Guarda todas las advertencias e instrucciones para consultarlas en el futuro. El término "herramienta eléctrica" en todas las advertencias incluidas más abajo se refiere a su herramienta operada por conexión (cable) a la red eléctrica o por medio de una batería (inalámbrica).

SEGURIDAD EN EL ÁREA DE TRABAJO

- **Mantenga limpia y bien iluminada el área de trabajo.** Las áreas desordenadas u oscuras contribuyen a que se produzcan accidentes.
- **No utilice herramientas eléctricas en atmósferas explosivas, como en la presencia de líquidos, gases o polvo inflamables.** Las herramientas eléctricas crean chispas que pueden incendiar el polvo o las emanaciones.
- **Mantenga a los niños y otras personas alejadas mientras utiliza una herramienta eléctrica.** Las distracciones pueden hacerle perder el control.

SEGURIDAD ELÉCTRICA

- **Los enchufes de las herramientas eléctricas deben ser del mismo tipo que el tomacorrientes. Nunca realice ningún tipo de modificación en el enchufe. No use enchufes adaptadores con herramientas eléctricas con conexión a tierra.** Se reducirá el riesgo de descarga eléctrica si no se modifican los enchufes y los tomacorrientes son del mismo tipo.
- **Evite el contacto corporal con superficies con conexión a tierra, como tuberías, radiadores, estufas y refrigeradores.** El riesgo de descarga eléctrica aumenta si su cuerpo está conectado a tierra.
- **No exponga las herramientas eléctricas a la lluvia o a condiciones de humedad.** El agua que entra en una herramienta eléctrica aumenta el riesgo de descarga eléctrica.
- **No abuse del cable. Nunca use el cable para transportar la herramienta eléctrica, tirar de ella o desenchufarla. Mantenga el cable alejado del calor, los bordes afilados o las piezas en movimiento.** Los cables dañados o enmarañados aumentan el riesgo de descarga eléctrica.
- **Cuando se utiliza una herramienta eléctrica en el exterior, use una extensión que sea apropiada para uso en el exterior.** El uso de un cable apropiado para el exterior reduce el riesgo de descarga eléctrica.
- **Si debe operar una herramienta eléctrica en un lugar húmedo, utilice un suministro protegido por un interruptor de circuito con conexión a tierra (GFCI).** Usar un GFCI reduce el riesgo de que se produzcan descargas eléctricas.

SEGURIDAD PERSONAL

- **Manténgase alerta, ponga cuidado a lo que está haciendo y use el sentido común cuando utilice una herramienta eléctrica. No use una herramienta eléctrica cuando está cansado o bajo la influencia de drogas, alcohol o medicamentos.** Despistarse un minuto cuando se utiliza una

herramienta eléctrica puede tener como resultado lesiones personales graves.

- **Use un equipo de protección personal. Lleve siempre protección ocular.** Llevar un equipo de protección apropiado para la situación, como una máscara antipolvo, zapatos de seguridad antideslizantes, un casco o protección auditiva, reducirá las lesiones personales.

- **Evite el encendido accidental. Asegúrese de que el interruptor esté en la posición de apagado antes de conectarlo a la toma de alimentación o a la batería, al levantar o mover la herramienta.** Mover herramientas con el dedo en el interruptor o enchufarlas con el interruptor en la posición de encendido contribuye a que se produzcan accidentes.

- **Quite todas las llaves de ajuste antes de encender la herramienta.** Una llave que esté acoplada a una pieza giratoria de la herramienta puede provocar lesiones personales.

- **No se estire demasiado. Mantenga los pies bien asentados y el equilibrio en todo momento.** Esto permite tener mejor control de la herramienta eléctrica en situaciones inesperadas.

- **Vístase de manera apropiada. No lleve ropa suelta ni joyas. Mantenga el cabello, la ropa y los guantes lejos de las piezas en movimiento.** La ropa floja, las joyas o el cabello largo pueden quedar atrapados en las piezas en movimiento.

- **Si se proporcionan dispositivos para la conexión de sistemas de recolección y extracción de polvo, asegúrese de que estén conectados y se usen apropiadamente.** El uso de estos dispositivos puede reducir los peligros relacionados con el polvo.

USO Y CUIDADO DE LAS HERRAMIENTAS ELÉCTRICAS

- **No fuerce la herramienta eléctrica. Use la herramienta eléctrica correcta para la aplicación.** La herramienta eléctrica correcta funcionará mejor y de manera más segura a la velocidad para la que se diseñó.

- **No use la herramienta eléctrica si el interruptor no la enciende ni la apaga.** Cualquier herramienta eléctrica que no se pueda controlar con el interruptor es peligrosa y se debe reparar.

- **Desconecte el enchufe de la toma de alimentación y/o la batería de la herramienta eléctrica antes de realizar cualquier ajuste, cambiar accesorios o almacenar las herramientas eléctricas.** Dichas medidas preventivas de seguridad reducen el riesgo de que la herramienta se prenda accidentalmente.

- **Almacene las herramientas eléctricas fuera del alcance de los niños y no permita que**

personas no familiarizadas con ellas o estas instrucciones las utilicen. Las herramientas eléctricas son peligrosas en las manos de usuarios no capacitados.

• **Mantenimiento de las herramientas eléctricas.** Revise que no haya piezas móviles que estén desalineadas o que se atasquen, piezas rotas ni ninguna otra condición que pueda afectar el funcionamiento de la herramienta eléctrica. Si se encuentran daños, haga que le reparen la herramienta antes de usarla. Las herramientas mal mantenidas son la causa de muchos accidentes.

• **Mantenga las herramientas de corte limpias y afiladas.** Es menos probable que se atasquen las herramientas de corte con filos afilados que se mantienen de manera apropiada y también son más fáciles de controlar.

• **Use la herramienta eléctrica, los accesorios, las brocas, etc. siguiendo estas instrucciones, teniendo en cuenta las condiciones de trabajo y la tarea que se va a realizar.** El uso de la herramienta eléctrica para operaciones diferentes de aquellas para las que se diseñó podría originar una situación peligrosa.

MANTENIMIENTO

• **Haga que un técnico calificado realice el mantenimiento de la herramienta eléctrica utilizando solamente piezas de repuesto idénticas.** Esto asegurará que se mantiene la seguridad de la herramienta eléctrica.

REGLAS ESPECIFICAS DE SEGURIDAD

• **Use las empuñaduras auxiliares si se proporcionan con la herramienta.** La pérdida de control puede causar lesiones personales.

• **Al realizar una operación donde el accesorio de corte pueda entrar en contacto con cableado oculto o con su propio cable, sostenga las herramientas eléctricas de las superficies de empuñadura aisladas.** El contacto del accesorio de corte con un cable que conduzca electricidad puede hacer que las partes metálicas de la herramienta se electrifiquen y podría ocasionar una descarga eléctrica al operador.

• **Guarde las etiquetas y placas de especificaciones.** Estas tienen información importante. Si son ilegibles o si no se pueden encontrar, póngase en contacto con un centro de servicio de MILWAUKEE para una refacción gratis.

• **ADVERTENCIA:** Algunas partículas de polvo resultantes del lijado mecánico, aserrado, esmerilado, taladrado y otras actividades relacionadas a la construcción, contienen sustancias químicas que se saben ocasionan cáncer, defectos congénitos u otros daños al aparato reproductivo. A continuación se citan algunos ejemplos de tales sustancias químicas:

- plomo proveniente de pinturas con base de plomo
- sílice cristalino proveniente de ladrillos, cemento y otros productos de albañilería y
- arsénico y cromo provenientes de madera químicamente tratada.

El riesgo que usted sufre debido a la exposición varía dependiendo de la frecuencia con la que usted realiza estas tareas. Para reducir la exposición a estas sustancias químicas: trabaje en un área bien ventilada, y utilice equipo de seguridad aprobado como, por ejemplo, máscaras contra el polvo que hayan sido específicamente diseñadas para filtrar partículas microscópicas.

ESPECIFICACIONES

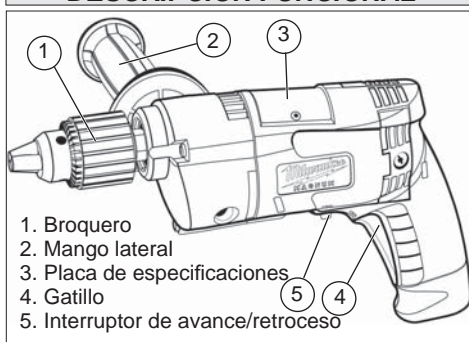
Cat. No.	Volts ca	A	RPM
0233-20	120	5,5	0 - 2 800
0234-6	120	5,5	sin aditamento en angulo recto 0 - 950 con aditamento en angulo recto baja 0 - 630 con aditamento en angulo recto alto 0 - 1 425
0235-21	120	5,5	0 - 950
0244-1	120	5,5	sin aditamento en angulo recto 0 - 700 con aditamento en angulo recto baja 0 - 465 con aditamento en angulo recto alto 0 - 1 050

Aditamento en Angulo Recto 48-06-2871

SIMBOLOGÍA

	Doble aislamiento
	Amperios
	Volts
	Corriente alterna
n_0 XXXX min. ⁻¹	No de revoluciones de carga por minuto (RPM)
	Underwriters Laboratories, Inc., Estados Unidos y Canadá
	Marca mejicana de la aprobación

DESCRIPCION FUNCIONAL



TIERRA

ADVERTENCIA Puede haber riesgo de descarga eléctrica si se conecta el cable de conexión de puesta a tierra incorrectamente. Consulte con un electricista certificado si tiene dudas respecto a la conexión de puesta a tierra del tomacorriente. No modifique el enchufe que se proporciona con la herramienta. Nunca retire la clavija de conexión de puesta a tierra del enchufe. No use la herramienta si el cable o el enchufe está dañado. Si está dañado antes de usarlo, llévelo a un centro de servicio MILWAUKEE para que lo reparen. Si el enchufe no se acopla al tomacorriente, haga que un electricista certificado instale un toma-corriente adecuado.

Herramientas con conexión a tierra: Herramientas con enchufes de tres clavijas

Las herramientas marcadas con la frase "Se requiere conexión de puesta a tierra" tienen un cable de tres hilo y enchufes de conexión de puesta a tierra de tres clavijas. El enchufe debe conectarse a un tomacorriente debidamente conectado a tierra (véase la Figura A). Si la herramienta se averiara o no funcionara correctamente, la conexión de puesta a tierra proporciona un trayecto de baja resistencia para desviar la corriente eléctrica de la trayectoria del usuario, reduciendo de este modo el riesgo de descarga eléctrica.

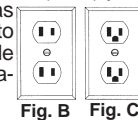
La clavija de conexión de puesta a tierra en el enchufe está conectada al sistema de conexión de puesta a tierra de la herramienta a través del hilo verde dentro del cable. El hilo verde debe ser el único hilo conectado al sistema de conexión de puesta a tierra de la herramienta y nunca se debe unir a una terminal energizada.

Su herramienta debe estar enchufada en un tomacorriente apropiado, correctamente instalado y conectado a tierra según todos los códigos y reglamentos. El enchufe y el tomacorriente deben asemejarse a los de la Figura A.



Herramientas con doble aislamiento: Herramientas con clavijas de dos patas

Las herramientas marcadas con "Doble aislamiento" no requieren conectarse "a tierra". Estas herramientas tienen un sistema aislante que satisface los estándares de OSHA y llena los estándares aplicables de UL (Underwriters Laboratories), de la Asociación Canadiense de Estándares (CSA) y el Código Nacional de Electricidad. Las herramientas con doble aislamiento pueden ser usadas en cualquiera de los toma corriente de 120 Volt mostrados en las Figuras B y C.



EXTENSIONES ELECTRICAS

Las herramientas que deben conectarse a tierra cuentan con clavijas de tres patas y requieren que las extensiones que se utilicen con ellas sean también de tres cables. Las herramientas con doble aislamiento y clavijas de dos patas pueden utilizarse indistintamente con extensiones de dos a tres cables. El calibre de la extensión depende de la distancia que exista entre la toma de la corriente y el sitio donde se utilice la herramienta. El uso de extensiones inadecuadas puede causar serias caídas en el voltaje, resultando en pérdida de potencia y posible daño a la herramienta. La tabla que aquí se ilustra sirve de guía para la adecuada selección de la extensión.

Mientras menor sea el número del calibre del cable, mayor será la capacidad del mismo. Por ejemplo, un cable calibre 14 puede transportar una corriente mayor que un cable calibre 16. Cuando use más de una extensión para lograr el largo deseado, asegúrese que cada una tenga al menos, el mínimo tamaño de cable requerido. Si está usando un cable de extensión para más de una herramienta, sume los amperes de las varias placas y use la suma para determinar el tamaño mínimo del cable de extensión.

Guías para el uso de cables de extensión

- Si está usando un cable de extensión en sitios al aire libre, asegúrese que está marcado con el sufijo "W-A" ("W" en Canadá) el cual indica que puede ser usado al aire libre.
- Asegúrese que su cable de extensión está correctamente cableado y en buenas condiciones eléctricas. Cambie siempre una extensión dañada o hágala reparar por una persona calificada antes de volver a usarla.
- Proteja su extensión eléctrica de objetos cortantes, calor excesivo o áreas mojadas.

Calibre mínimo recomendado para cables de extensiones eléctricas*

Amperios (En la placa)	Largo de cable de Extensión en (m)					
	7,6	12,2	22,8	30,4	45,7	60,9
0 - 5,0	16	16	16	14	12	12
5,1 - 8,0	16	16	14	12	10	--
8,1 - 12,0	14	14	12	10	--	--
12,1 - 15,0	12	12	10	10	--	--
15,1 - 20,0	10	10	10	--	--	--

* Basado en limitar la caída en el voltaje a 5 volts al 150% de los amperios.

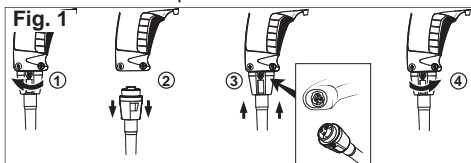
LEA Y GUARDE TODAS LAS INSTRUCCIONES PARA FUTURAS REFERENCIAS.

ENSAMBLAJE DE LA HERRAMIENTA

ADVERTENCIA Para reducir el riesgo de una lesión, desconecte siempre la herramienta antes de fijar o retirar accesorios, o antes de efectuar ajustes. Utilice sólo los accesorios específicamente recomendados. El uso de otros accesorios puede ser peligroso.

Montaje y desmontaje del cable de cambio rápido Quik-Lok®

Para realizar el cambio en forma inmediata en el área de trabajo, los Taladros Magnum de MILWAUKEE cuentan con el exclusivo cable Quik-Lok® de cambio rápido.



1. Para desmontar el cable Quik-Lok®, gire el cable 1/4 de vuelta hacia la izquierda y sepárelo del cuerpo de la unidad.
2. Para montar el cable Quik-Lok®, alinee las marcas en el conector con las del cable y empuje el conector hasta el fondo. Luego gire el cable 1/4 de vuelta hacia la derecha para asegurarlo.

Para instalar el mango lateral

Los Taladros MILWAUKEE Magnum son suministrados con un mango lateral el cual puede instalarse en cualquiera de los dos lados de la herramienta, para ser usados por operarios diestros o zurdos. Atornille el mango en la rosca del lado elegido y apriételo firmemente. Use siempre el mango control sobre la herramienta.

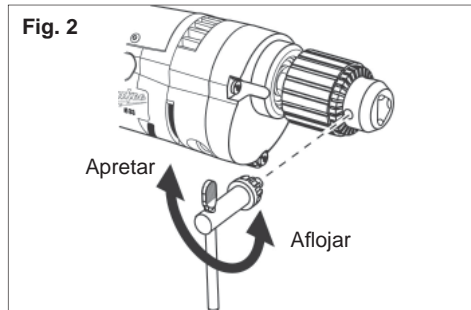
ADVERTENCIA Para reducir una lesión personal, retire siempre la llave del broquero cada vez que termine de usarla.

Instalación de las brocas dentro de un mandril o broquero con llave (Cat. No. 0234-6 y 0244-1)

- Siempre desconecte la herramienta antes de instalarle o quitarle una broca.
1. Abra las uñas del broquero lo suficiente para insertar la broca. Asegúrese que el zanco de la misma y las uñas del broquero están limpios, ya que si hay partículas de suciedad, estas pueden evitar que la broca quede alineada correctamente.
 2. Cuando use brocas para taladros, inserte la broca dentro del broquero. Centre la broca en las uñas del broquero y levántela aproximadamente 1,6 mm (1/16") por sobre el fondo del broquero. Apriete las uñas a mano para alinear la broca. Cuando use puntas para atornillador, insértelas lo suficiente para que las uñas del broquero sujeten el zanco de la punta.

3. Apriete con la llave cada uno de los tres agujeros del mandril, en sentido de un reloj. Apriete firmemente.

Fig. 2

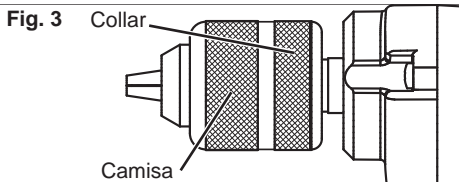


4. Para quitar la broca, inserte la llave del broquero en uno de los agujeros del mismo y gírela en sentido opuesto a un reloj.

ADVERTENCIA Para reducir el riesgo de lesión: girando o cuando la broca está saliendo del broquero. Suelte el gatillo del interruptor tan pronto como el "raqueteo" cesa, con el objeto de evitar que la broca salga disparada.

Usando broqueros sin llave (Cat. No. 0233-20)

Las herramientas están equipadas con un broquero sin llave que se aprieta con la mano. Siempre desconecte la herramienta antes de instalarle o quitarle una broca.



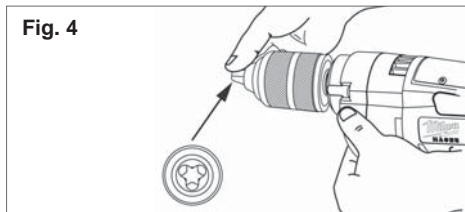
1. Para abrir las uñas del broquero, gire la camisa del mismo en sentido opuesto a las manecillas de un reloj. Cuando se usan brocas de taladro, permita que estas lleguen al fondo del broquero. Centre la broca en las uñas del broquero y levántela aproximadamente 1,6 mm (1/16") por sobre el fondo. Cuando se usen puntas de atornillador, inserte la punta lo suficiente para que las uñas del broquero sujeten el zanco hexagonal de la punta.
2. Para cerrar las uñas del broquero, sujete el collar al tiempo que gira la camisa en dirección de las manecillas de un reloj. Apriete firmemente.

Para utilizar los mandriles de casquillo sencillo sin llave (Cat. No. 0235-21)

Las herramientas están equipadas con mecanismo de traba y un mandril de casquillo sencillo sin llave. Siempre desconecte la herramienta antes de instalar o quitar las brocas.

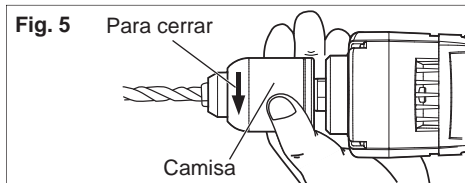
1. Para abrir las mordazas del mandril, haga girar el casquillo del mandril en dirección contraria a las manecillas del reloj.
2. Para instalar una broca, abra las mordazas del mandril un poco más que el ancho de la broca. Centre la broca en las mordazas del mandril y levántela aproximadamente 1,6 mm (1/16") de la parte inferior. Alinee la broca tal como se muestra.

Fig. 4



3. Para cerrar las mordazas del mandril, haga girar el casquillo en dirección de las manecillas del reloj. Apriete bien. Sentirá varios retenes al hacer girar el casquillo del mandril.

Fig. 5



NOTA: Si la espiga gira cuando se abren o se cierran las mordazas del mandril, sujete el mandril y hágalo girar ligeramente hacia adelante y hacia atrás para que la espiga con mecanismo de traba encaje. La espiga permanecerá fija hasta que se encienda la herramienta. La espiga con mecanismo de traba se soltará automáticamente cuando se encienda la herramienta.

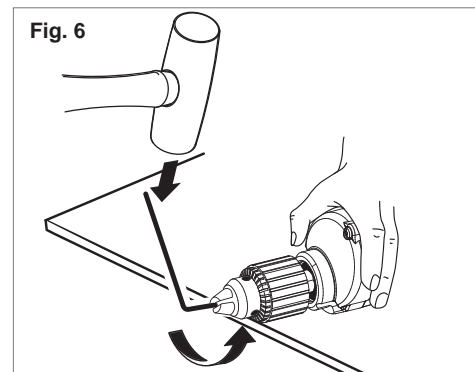
ADVERTENCIA Para reducir el riesgo de una lesión, use siempre lentes de seguridad o anteojos con protectores laterales.

Como quitar el mandril

Estos taladros están equipados con una flecha roscada para sujetar el mandril. Antes de proceder a quitarlo, desconecte la unidad y abra las uñas del mandril. Dentro del mandril encontrará un tornillo con rosca izquierda que evita que el mandril se afloje cuando se opera la unidad en sentido de reversa. Quite el tornillo, aflojándolo en sentido de las manecillas de un reloj. Para quitar el mandril, sujete el taladro de forma que un lado del broquero descansa firme y plano sobre una superficie sólida de un banco de trabajo. Apriete una llave hex en el mandril. Gire al mandril de forma que la llave quede en un ángulo de aproximadamente 30° con relación a la base del banco. Golpee firmemente la llave con un martillo para que el mandril gire en una dirección opuesta a la de un reloj (viéndolo desde el frente de la herramienta). De esta forma se deberá aflojar el mandril de la flecha, ya que esta es de cuerda derecha, y permitiendo ahora retirar el mandril con la mano.

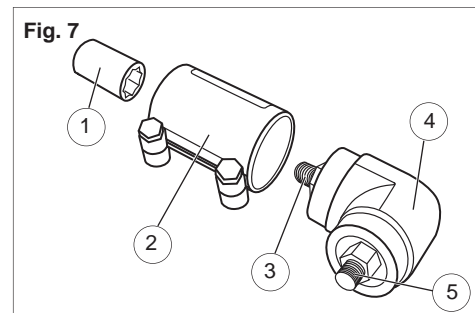
NOTA: Cuando cambie el mandril, cambie siempre el tornillo de cuerda izquierda que va dentro del mandril.

Fig. 6



Cómo conectar la unidad impulsora en ángulo de 90° a una taladradora

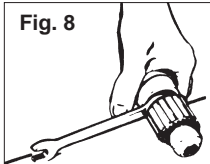
Fig. 7



1. Retire el cabezal portabrocas de la taladradora siguiendo las instrucciones (Véase "Cómo retirar el cabezal portabrocas de la taladradora" más abajo). Luego deslice el acoplador hexagonal doble (1) sobre la parte hexagonal del husillo de la taladradora. Afloje los tornillos de sujeción en el collar de sujeción (2) y deslícelo sobre el collar de la taladradora.
 2. Deslice el cabezal de la taladradora en ángulo de 90° (4) en el otro lado del collar y gire el cabezal de impulsión ligeramente en cualquiera de las dos direcciones de modo que el agujero hexagonal en el acoplador (1) engrane con la porción hexagonal del husillo (3).
 3. Cuando esté ensamblado, gire el cabezal en ángulo de 90° a la posición deseada y ajuste los tornillos de sujeción para fijar la unidad. Enrosque el cabezal portabrocas sobre el husillo de la unidad impulsora en ángulo de 90° (5).
- INSTALE EL TORNILLO DE FIJACIÓN DEL CABEZAL PORTABROCAS.**

Cómo retirar el cabezal portabrocas de la unidad impulsora en ángulo de 90°

El cabezal portabrocas se puede retirar de la unidad impulsora en ángulo de 90° de la misma manera que se retira de la taladradora; sin embargo, SIEMPRE RETIRE LA UNIDAD IMPULSORA EN ANGULO DE 90° DE LA TALADRADORA ANTES DE TRATAR DE AFLOJAR EL CABEZAL PORTABROCAS. Esto impedirá que el engranaje de la taladradora sufra algún daño. Use la llave de boca fija que se proporciona para sujetar el husillo de la unidad impulsora en ángulo de 90° antes de tratar de aflojar el cabezal portabrocas.



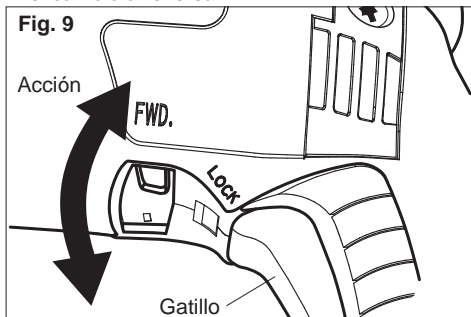
OPERACION

ADVERTENCIA Para reducir el riesgo de una lesión, desconecte siempre la herramienta antes de fijar o retirar accesorios, o antes de efectuar ajustes. Utilice sólo los accesorios específicamente recomendados. El uso de otros accesorios puede ser peligroso.

ADVERTENCIA Para reducir el riesgo de una lesión, use siempre lentes de seguridad o anteojos con protectores laterales.

Cómo utilizar interruptor de avance/retroceso

1. Para una rotación **positiva** (en el sentido de las manecillas de un reloj), empuje el interruptor de accion-reversa hasta la posición de **FWD**, como se ilustra.
2. Para acción de **reversa** (en el sentido opuesto a las manecillas de un reloj), empuje el interruptor hasta la posición de **REV**, como se ilustra. Aunque su unidad tiene un sistema de seguridad interno que evita que se accione la reversa con la unidad en operación, siempre espere que el motor esté completamente parado para hacer el cambio a reversa.



ADVERTENCIA Para reducir el riesgo de una lesión, mantenga las manos y el cable lejos de la broca y de cualquier otra parte en movimiento.

Cómo accionar, detener y controlar la velocidad

1. Para **accionarlo** simplemente presione el gatillo.
2. Para **detener** la unidad, suelte el gatillo.
3. Para **variar** la velocidad de operación, simplemente aumente o disminuya la presión sobre el gatillo. A mayor presión, mayor velocidad y viceversa.

Uso del seguro de botón

El seguro de botón, localizado junto el interruptor de gatillo, mantendrá a este en la posición de ON para un uso continuo al máximo de velocidad.



1. Para **accionar** el seguro de botón, presiónelo hacia adentro mientras aprieta el gatillo. Suelte el gatillo.
2. Para **desactivar** el seguro de botón, presione el gatillo y suéltelo. El botón de seguridad se saltará.

ADVERTENCIA Para reducir el riesgo de una explosión, descarga eléctrica, y daño en propiedad ajena antes de empezar la operación, inspeccione el área de trabajo buscando tuberías o cables no visibles.

Taladrando

1. Antes de taladrar, asegúrese que el material está asegurado firmemente. Utilice un material de apoyo para prevenir dañar el material una vez hecha la operación.
2. Cuando vaya a iniciar una perforación, coloque la broca en la superficie del trabajo y aplique una presión firme. Inicie el perforado a baja velocidad y gradualmente aumentela conforme taladra.
3. Aplique siempre presión en línea con la broca. Use suficiente presión para mantener el taladro perforando, pero no demasiada que pueda frenar el motor.
4. Reduzca la presión en la parte final de la perforación. Con el taladro aun operando, jale la broca fuera de la perforación para evitar dañar el material.

Herramienta frenada

Si una herramienta parece que está a punto de frenarse del motor, mantenga una sujeción firme y reduzca la presión ligeramente para permitir que la broca tome nuevamente velocidad. Si la herramienta llega a frenarse por completo, suelte el gatillo. Ponga el motor en reversa, retirando la broca de la perforación y empiece de nuevo. No presione el gatillo ON y OFF constantemente en un intento por arrancar el taladro frenado ya que puede dañar al mismo.

APLICACIONES

CAPACIDADES

Cat. No.	Madera					Acero		Concreto
	Brocas de "manita"	Brocas de husillo	Brocas de husillo largas	Brocas auto-alimentadoras	Brocas sierras	Brocas convencionales	Brocas sierras	Brocas con carburo
0233-20	25 mm (1")	N/R	N/R	N/R	45 mm (1-3/4")	10 mm (3/8")	25 mm (1")	10 mm (3/8")
0234-6	38 mm (1-1/2")	38 mm (1-1/2")	32 mm (1-1/4")	51 mm (2")	102 mm (4")	13 mm (1/2")	51 mm (2")	13 mm (1/2")
con aditamento en ángulo recto baja	38 mm (1-1/2")	38 mm (1-1/2")	38 mm (1-1/2")	57 mm (2-1/4")	114 mm (4-1/2")	13 mm (1/2")	54 mm (2-1/8")	14 mm (9/16")
con aditamento en ángulo recto alto	38 mm (1-1/2")	29 mm (1-1/8")	25 mm (1")	38 mm (1-1/2")	70 mm (2-3/4")	13 mm (1/2")	38 mm (1-1/2")	11 mm (7/16")
0235-21	38 mm (1-1/2")	38 mm (1-1/2")	32 mm (1-1/4")	51 mm (2")	102 mm (4")	13 mm (1/2")	51 mm (2")	13 mm (1/2")
0244-1	38 mm (1-1/2")	38 mm (1-1/2")	38 mm (1-1/2")	57 mm (2-1/4")	114 mm (4-1/2")	13 mm (1/2")	57 mm (2-1/4")	14 mm (9/16")
con aditamento en ángulo recto baja	38 mm (1-1/2")	38 mm (1-1/2")	38 mm (1-1/2")	65 mm (2-9/16")	127 mm (5")	13 mm (1/2")	57 mm (2-1/4")	16 mm (5/8")
con aditamento en ángulo recto alto	38 mm (1-1/2")	38 mm (1-1/2")	32 mm (1-1/4")	45 mm (1-3/4")	83 mm (3-1/4")	13 mm (1/2")	45 mm (1-3/4")	13 mm (1/2")

NR = Non recomendadas

Selección de las brocas

Cuando seleccione una broca, asegúrese que sea del tipo adecuado para el trabajo. Para un mejor rendimiento, use siempre brocas afiladas.

Taladrando en madera, materiales compuestos y plásticos

Cuando taladre en madera, materiales compuestos y plásticos, inicie lentamente, aumentando gradualmente la velocidad conforme avanza en el taladrado. Cuando use brocas regulares, saque frecuentemente la broca de la perforación para ayudar a desahogar las virutas pegadas en los rizos de la broca. Use baja velocidad en plásticos con bajo punto de fusión.

Cómo perforar el concreto

Cuando taladre en concreto, utilice una velocidad alta y brocas con punta de carburo. Taladrar materiales suaves como bloques de hormigón de escorias, requiere de muy poca presión. Materiales duros como el concreto, requieren más presión. La forma de saber si se está perforando a un ritmo adecuado viene dada por un flujo parejo y suave de polvo. No permita que la broca gire en el agujero sin cortar. Ambas acciones dañarán el carburo.

Perforando en metal

Cuando taladre en metal, use brocas de acero alta velocidad o brocas sierras. Cuando taladre en metal, use una marca guía para iniciar la perforación. Lubrique las brocas con aceite cuando taladre en acero o hierro. Use un refrigerante cuando taladre metales no ferrosos como cobre, latón o aluminio. Ponga un respaldo en el material para prevenir que este se doble o distorsione al terminar el taladrado.

Colocando tornillos

Cuando coloque tornillos, use la punta adecuada para el trabajo a realizar. Luego de perforar el agujero piloto y el del zanco, inicie elatornillado lentamente e incremente la velocidad conforme avanza. Termine correctamente la colocación del tornillo reduciendo la velocidad al final. No coloque tornillos hasta el fondo del material a alta velocidad. Si se usa mucha velocidad, el torque del taladro puede doblarle la muñeca una vez que el tornillo llegó al fondo. Para retirar tornillos colocados, use el motor en reversa.

⚠ ADVERTENCIA Fuerza de rotación elevada. Par reducir el riesgo de lesiones, sujete y apoye la herramienta de manera segura. Utilice siempre la empuñadura lateral en herramientas con clasificación de 1 200 RPM o menor.

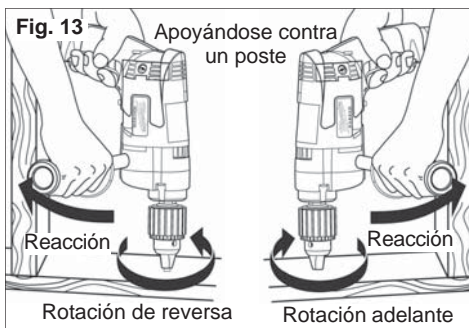
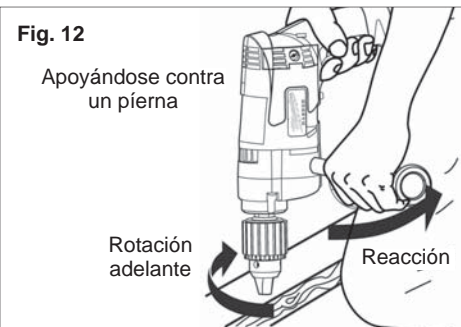
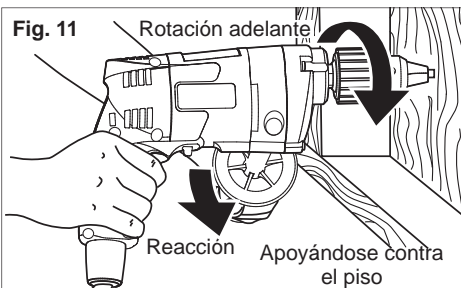
Atoramiento de la broca

Una fuerza de rotación elevada ocurre cuando se atora una broca. Si la broca se atora, la herramienta avanzará en dirección contraria a la de la operación (vea las Figs. 12-14). Las brocas se pueden atorar si se encuentran desalineadas o cuando perforan a través de un orificio. Las brocas perforadoras para madera también se pueden atorar si se encuentran clavos o nudos en su trayecto. Está preparado para este tipo de situaciones.

Para reducir la posibilidad de atoramiento de la broca:

- Use brocas afiladas. Las brocas afiladas tienen menos posibilidades de atorarse durante la perforación.
- Use la broca adecuada para el trabajo a realizar. Estas brocas han sido diseñadas para propósitos específicos.
- Tenga cuidado cuando perforo materiales alquitranosos, anudados, húmedos o combados, o cuando perforo materiales que contengan clavos.

Métodos de apoyo más comunes

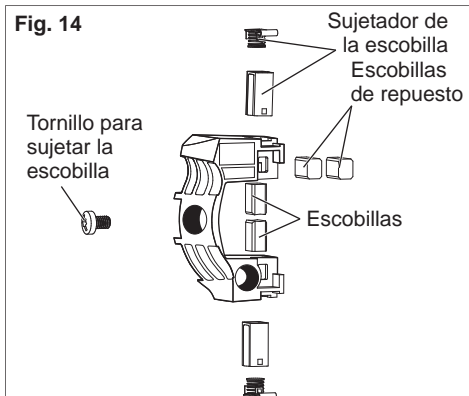


MANTENIMIENTO

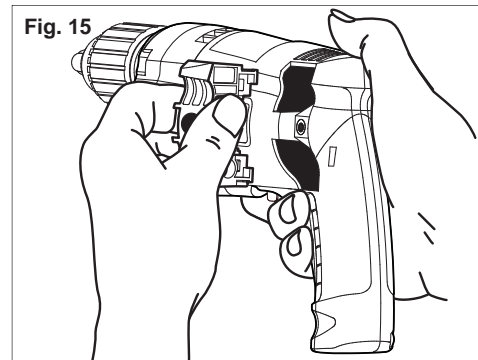
⚠ ADVERTENCIA Para reducir el riesgo de lesiones, desconecte siempre la herramienta antes de darle cualquier mantenimiento. Nunca desarme la herramienta ni trate de hacer modificaciones en el sistema eléctrico de la misma. Acuda siempre a un Centro de Servicio MILWAUKEE para TODAS las reparaciones.

Cómo reemplazar las escobillas

Los destornilladores Magnum de MILWAUKEE tienen un sistema exclusivo de cartuchos de escobillas. La herramienta no funciona cuando las escobillas de carbón están desgastadas hasta 3 mm (1/8"), lo que evita costosos daños al armazón. En el cartucho vienen escobillas nuevas para permitir una rápida sustitución de las escobillas en cualquier lugar.



1. Desenchufe la herramienta y colóquelo en un lado con el cartucho hacia arriba. Suelte el tornillo de sujeción de escobillas y saque el cartucho.



2. Retire las escobillas desgastadas. Si las escobillas caen en la herramienta, asegúrese de retirarlas, agitando la herramienta antes de insertar el cartucho de nuevo. Deseche **AMBAS** escobillas. Se deben sustituir las escobillas como un conjunto.
3. El cartucho viene con un conjunto de escobillas de repuesto. Saque las escobillas desde el comportamiento de almacenamiento.
4. Coloque las escobillas nuevas con el extremo plano plateado hacia el sujetador de escobillas. Empuje el cartucho en la herramienta y oprima la parte superior e inferior del cartucho, utilizando igual presión para alinear los terminales para una conexión correcta.
5. Apriete el tornillo de sujeción de escobillas con cuidado. Si la cabeza del tornillo está dañada, sustituya el tornillo solamente por los recambios de MILWAUKEE.

⚠ ADVERTENCIA Nunca utilice un tornillo diverso, como un tornillo de sujeción de escobillas.

Mantenimiento de las herramientas

Adopte un programa regular de mantenimiento y mantenga su herramienta en buenas condiciones. Antes de usarla, examine las condiciones generales de la misma. Inspeccione guardas, interruptores, el cable de la herramienta y el cable de extensión. Busque tornillos sueltos o flojos, defectos de alineación y dobleces en partes móviles, así como montajes inadecuados, partes rotas y cualquier otra condición que pueda afectar una operación segura. Si detecta ruidos o vibraciones anormales, apague la herramienta de inmediato y corrija el problema antes de volver a usarla. No utilice una herramienta dañada. Colóquelo una etiqueta que diga "NO DEBE USARSE" hasta que sea reparada (vea "Reparaciones").

Bajo condiciones normales, no se requiere lubricación hasta que haya que cambiar los carbones. Después de 6 meses a un año, dependiendo del uso dado, envíe su herramienta al Centro de Servicio MILWAUKEE más cercano para que le hagan:

- Lubricación
- Inspección y cambio de carbones
- Inspección mecánica y limpieza (engranes, flechas, baleros, carcaras, etc.)
- Inspección eléctrica (interruptor, cable, armadura, etc)
- Probarla para asegurar una operación mecánica y eléctrica adecuada.

⚠ ADVERTENCIA Para reducir el riesgo de lesiones, descarga eléctrica o daño a la herramienta, nunca la sumerja en líquidos ni permita que estos fluyan dentro de la misma.

Limpieza

Limpie el polvo y suciedad de las ventilas. Mantenga las empuñaduras de la herramienta limpias, secas y libres de aceite y grasa. Use sólo jabón neutro y un trapo húmedo para limpiar su herramienta ya que algunas sustancias y disolventes limpiadores pueden ocasionar daños a materiales plásticos y partes aislantes. Algunos de estos incluyen: gasolina, trementina, diluyente para barniz, diluyente para pintura, disolventes limpiadores clorados, amoníaco, y detergentes caseros que contengan amoníaco.

Reparaciones

Si su instrumento se daña, vuelva el instrumento entero al más cercano centro de reparaciones.

ACCESORIOS

⚠ ADVERTENCIA Para reducir el riesgo de lesiones, siempre desconecte la herramienta antes de cambiar o retirar accesorios. Utilice únicamente accesorios específicamente recomendados para esta herramienta. El uso de accesorios no recomendados podría resultar peligroso.

Para una lista completa de accesorios, refiérase a su catálogo MILWAUKEE Electric Tool o visite nuestro sitio en Internet: www.milwaukeetool.com. Para obtener un catálogo, contacte su distribuidor local o uno de los centros de servicio.

GARANTÍA LIMITADA - E.U.A. Y CANADÁ

Se garantiza al comprador original que ninguna de las herramientas eléctricas *MILWAUKEE* (incluido el producto inalámbrico, la herramienta y las baterías; consulte las declaraciones distintas y por separado en GARANTÍA LIMITADA DEL PAQUETE DE BATERÍAS INALÁMBRICAS y de las luces de trabajo y del cargador de baterías*) presentan defectos en material ni en mano de obra. En un plazo de cinco (5) años* a partir de la fecha de compra y sujeto a ciertas excepciones, *MILWAUKEE* reparará o reemplazará cualquier parte de una herramienta eléctrica que, luego de ser examinada, *MILWAUKEE* compruebe que presenta defectos en material o mano de obra, a menos que se indique lo contrario. Se requiere la devolución de la herramienta eléctrica a un centro de mantenimiento de la fábrica *MILWAUKEE* o a un centro de reparaciones autorizado por *MILWAUKEE*, con gastos de envío prepagados y asegurados. La devolución del producto debe estar acompañada por un comprobante de compra. Esta garantía no se aplica a los daños que *MILWAUKEE* establece que fueron ocasionados por reparaciones o intentos de reparación por parte de personal no autorizado por *MILWAUKEE*, uso indebido, alteraciones, abuso, desgaste y deterioro normal, falta de mantenimiento o accidentes.

*El período de garantía de las radios para obras, del puerto de alimentación M12™, Fuente de poder M18™, y de las carretillas de trabajo industrial Trade Titan™ es de un (1) año a partir de la fecha de compra. El período de garantía de la lámpara de trabajo con diodo luminiscente y del foco mejorado con diodo luminiscente es una garantía VITALICIA limitada para el comprador original únicamente. Si durante el uso normal el foco de diodo luminiscente no funciona, la lámpara de trabajo o el foco mejorado se reemplazará sin carga.

*Esta garantía no cubre las clavadoras aéreas, las engrapadoras, el rociador de pintura inalámbrico, el paquete de baterías inalámbrico, los generadores eléctricos portátiles que funcionan con gasolina, herramientas manuales, elevadores (eléctricos, con palanca y con cadenas manuales), camisas de calefacción M12™, productos reacondicionados y productos de prueba y medición. Se encuentran disponibles garantías distintas para estos productos.

No se necesita registro de garantía para obtener la garantía correspondiente de un producto eléctrico *MILWAUKEE*. La fecha de fabricación del producto se utilizará para determinar el período de garantía si no se presenta un comprobante de compra en el momento en que se solicita el servicio de garantía.

LA ACEPTACIÓN DE LOS DERECHOS A REPARACIÓN Y REEMPLAZO EXCLUSIVAMENTE DESCRITOS EN EL PRESENTE DOCUMENTO CONSTITUYE UNA CONDICIÓN DEL CONTRATO POR LA COMPRA DE CADA PRODUCTO *MILWAUKEE*. SI NO ACEPTA ESTA CONDICIÓN, NO DEBE COMPRAR EL PRODUCTO. *MILWAUKEE* NO SERÁ EN NINGUN CASO RESPONSABLE DE DAÑOS INCIDENTALES, ESPECIALES, CONSECUENTES O PUNITIVOS, NI DE COSTOS, HONORARIOS DE ABOGADOS, GASTOS, PERDIDAS O DEMORAS SUPUESTAMENTE CAUSADOS COMO CONSECUENCIA DE CUALQUIER DAÑO, FALLA O DEFECTO EN CUALQUIER PRODUCTO, INCLUIDOS, A MODO DE EJEMPLO, RECLAMOS POR PÉRDIDA DE GANANCIAS. ALGUNOS ESTADOS NO PERMITEN LA EXCLUSIÓN O LA LIMITACIÓN DE DAÑOS INCIDENTALES O CONSECUENTES. POR LO TANTO, LAS LIMITACIONES Y EXCLUSIONES ANTERIORES PUEDEN NO APLICARSE PARA USTED. ESTA GARANTÍA ES EXCLUSIVA Y SUSTITUYE A TODAS LAS OTRAS GARANTÍAS EXPRESAS, ESCRITAS U ORALES. SEGÚN LO PERMITA LA LEY, *MILWAUKEE* SE EXIME DE TODA GARANTÍA IMPLÍCITA, INCLUIDOS, A MODO DE EJEMPLO, TODA GARANTÍA IMPLÍCITA DE COMERCIABILIDAD O IDONEIDAD PARA UN USO O PROPÓSITO EN PARTICULAR; EN LA MEDIDA EN QUE DICHA RENUNCIA NO ESTÉ PERMITIDA POR LA LEY, DICHAS GARANTÍAS IMPLÍCITAS ESTÁN LIMITADAS A LA DURACIÓN DE LA GARANTÍA EXPRESA APLICABLE SEGÚN SE DESCRIBE ANTERIORMENTE. ALGUNOS ESTADOS NO PERMITEN LIMITACIONES EN LA DURACIÓN DE UNA GARANTÍA IMPLÍCITA. POR LO TANTO, LA LIMITACIÓN ANTERIOR PUEDE NO APLICARSE PARA USTED. ESTA GARANTÍA LE OTORGA DERECHOS LEGALES ESPECÍFICOS Y TAMBIÉN PUEDE TENER OTROS DERECHOS QUE VARIAN DE ESTADO EN ESTADO.

Esta garantía se aplica a los productos vendidos en los EE. UU. y Canadá.

Consulte 'Service Center Search' (Búsqueda de centro de servicio) en la sección Parts & Services (Piezas y servicios) del sitio web *MILWAUKEE*, www.milwaukeetool.com o llame al **1.800.SAWDUST (1.800.729.3878)** para encontrar su Centro de Servicio de la fábrica de *MILWAUKEE* más cercano.

PÓLIZA DE GARANTÍA - VALIDA SOLO PARA MÉXICO, AMÉRICA CENTRAL Y EL CARIBE

TECHTRONIC INDUSTRIES., garantiza por 5 años este producto a partir de la fecha original de compra.

Esta garantía cubre cualquier defecto que presenten las piezas, componentes y la mano de obra contenidas en este producto. Para América Central y el Caribe se debe confirmar en el Centro de Servicio Autorizado el plazo de la garantía. Para hacer efectiva la Garantía deberá presentar al Centro de Servicio Autorizado la Póliza de Garantía sellada por el establecimiento en donde adquirió el producto. Si no la tienen, podrá presentar el comprobante de compra original. Usted puede llamar sin costo al teléfono 01 800 832 1949 o por correo electrónico a la dirección servicio@ttigroupna.com, para ubicar el Centro de Servicio Autorizado más cercano a su domicilio, en el cual además podrá adquirir partes, componentes, consumibles y accesorios, que usted necesite.

Procedimiento para hacer válida la garantía

Acuda al Centro de Servicio con el producto y la póliza de garantía sellada por el establecimiento donde realizó la compra. Ahí se reemplazará cualquier pieza o componente defectuoso sin cargo alguno para el usuario final. La empresa se hace responsable de los gastos de transportación razonablemente erogados que se deriven del cumplimiento de la presente garantía.

Excepciones

La garantía perderá validez en los siguientes casos:

- Cuando el producto se hubiese utilizado en condiciones distintas a las normales.
- Cuando el producto no hubiese sido operado de acuerdo con el instructivo de uso que le acompaña.
- Cuando el producto hubiese sido alterado o reparado por personas no autorizadas por TECHTRONIC INDUSTRIES.

Nota: Si el cordón de alimentación es dañado, este debe ser reemplazado por el fabricante o por un Centro de Servicio Autorizado para evitar riesgo.

Modelo: _____

Fecha de Compra: _____

Sello del Distribuidor: _____

CENTRO DE SERVICIO Y ATENCIÓN A CLIENTES
Av Presidente Mazarik 29 Piso 7, 11570 Chapultepec Morales
Miguel Hidalgo, Distrito Federal, Mexico
Tel. 52 55 4160-3547

IMPORTADO Y COMERCIALIZADO POR:
TECHTRONIC INDUSTRIES MEXICO, .S.A. DE C.V.
Av Presidente Mazarik 29 Piso 7, 11570 Chapultepec Morales
Miguel Hidalgo, Distrito Federal, Mexico

UNITED STATES MILWAUKEE Service

MILWAUKEE prides itself in producing a premium quality product that is NOTHING BUT HEAVY DUTY®. Your satisfaction with our products is very important to us! If you encounter any problems with the operation of this tool, or you would like to locate the factory Service/Sales Support Branch or authorized service station nearest you, please call...

Additionally, we have a nationwide network of authorized Distributors ready to assist you with your tool and accessory needs. Check your "Yellow Pages" phone directory under "Tools-Electric" for the names & addresses of those nearest you or see the 'Where To Buy' section of our website.

1-800-SAWDUST

(1.800.729.3878)

Monday-Friday
7:00 AM - 6:30 PM
Central Time

or visit our website at

www.milwaukeetool.com

For service information, use the 'Service Center Search' icon found in the 'Parts & Service' section.

Contact our Corporate After Sales Service Technical Support about ...

- Technical Questions
- Service/Repair Questions
- Warranty

call: 1-800-SAWDUST

fax: 1.800.638.9582

email: metproductsupport@milwaukeetool.com

Register your tool online at www.milwaukeetool.com and...

- receive important notifications regarding your purchase
- ensure that your tool is protected under the warranty
- become a HEAVY DUTY club member

MEXICO - Soporte de Servicio MILWAUKEE

CENTRO DE ATENCIÓN A CLIENTES

Av Presidente Mazarik 29 Piso 7
11570 Chapultepec Morales
Miguel Hidalgo, Distrito Federal, Mexico
Telefono 52 55 4160-3547
e-mail: servicio@ttigroupna.com

Adicionalmente, tenemos una red nacional de distribuidores autorizados listos para ayudarle con su herramienta y sus accesorios. Por favor, llame al 01 800 832 1949 para obtener los nombres y direcciones de los más cercanos a usted, o consulte la sección 'Where to buy' (Dónde comprar) de nuestro sitio web en

www.ttigroupmexico.com

MILWAUKEE ELECTRIC TOOL CORPORATION

13135 West Lisbon Road • Brookfield, Wisconsin, U.S.A. 53005

58-14-3347d15

10/13

CANADA - Service MILWAUKEE

MILWAUKEE prides itself in producing a premium quality product that is NOTHING BUT HEAVY DUTY®. Your satisfaction with our products is very important to us!

If you encounter any problems with the operation of this tool, or you would like to locate the factory Service/Sales Support Branch or authorized service station nearest you, please call...

1.800.268.4015

Monday – Friday 7:00 – 4:30 CST
fax: 866.285.9049

Milwaukee Electric Tool (Canada) Ltd

140 Fernstaff Court, Unit 4 18129 111 Avenue NW
Vaughan, ON L4K 3L8 Edmonton, AB T5S 2P2

Additionally, we have a nationwide network of authorized Distributors ready to assist you with your tool and accessory needs. Call 1.800.268.4015 to find the names and addresses of the closest retailers or consult "Where to buy" on our Web site www.milwaukeetool.com

MILWAUKEE est fier de proposer un produit de première qualité NOTHING BUT HEAVY DUTY®. Votre satisfaction est ce qui compte le plus!

En cas de problèmes d'utilisation de l'outil ou pour localiser le centre de service/ventes ou le centre d'entretien le plus proche, appelez le...

1.800.268.4015

Lundi – Vendredi 7:00 – 4:30 CST
fax: 866.285.9049

Milwaukee Electric Tool (Canada) Ltd

140 Fernstaff Court, Unit 4 18129 111 Avenue NW
Vaughan, ON L4K 3L8 Edmonton, AB T5S 2P2

Notre réseau national de distributeurs agréés se tient à votre disposition pour fournir l'aide technique, l'outillage et les accessoires nécessaires. Composez le 1.800.268.4015 pour obtenir les noms et adresses des revendeurs les plus proches ou bien consultez la section «Où acheter» sur notre site web à l'adresse www.milwaukeetool.com

Registre su herramienta en línea, en www.ttigroupmexico.com y...

- reciba importantes avisos sobre su compra
- asegúrese de que su herramienta esté protegida por la garantía
- conviértase en integrante de Heavy Duty

Printed in China
960931389-04()