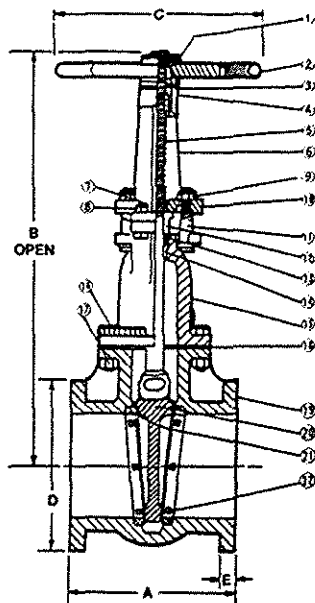


# 3% NICKEL CAST IRON GATE VALVE



**Fig. 1893 - Flanged  
Separable Yokearms  
Sizes, 2" through 24"**

## FEATURES

- These valves are recommended for causticizing, lime recovery, sulphate pulp preparation, paper mill recovery and general process applications
- Solid Wedges

# CLASS 125 OUTSIDE SCREW RISING STEM BOLTED FLANGED YOKE-BONNET FLANGED ENDS

## PRESSURE/TEMPERATURE RATINGS

2" to 12"	125 psi Steam at 450°F
	200 psi Non-Shock Cold Water, Oil or Gas
14" to 24"	100 psi Steam at 350°F
	150 psi Non-Shock Cold Water, Oil or Gas

## MATERIALS

DESCRIPTION	MATERIAL	ASTM Spec.
1 Handwheel Nut	Ductile Iron Cast Iron	A-536
2 Handwheel	Cast Iron	A-126-B
3 Yoke Bushing Nut	Cast Iron	A-126-B
4 Yoke Busing	Cast Bronze	B-62
5 Stem	Stainless Steel	A-182 Gr.F-316
6 Yoke	Cast Iron	A-126-B
7 Yoke Bolt	Steel	A-307-B
8 Yoke Bolt Nut	Steel	A-307-B
9 Packing Gland Nut	Steel	A-307-B
10 Packing Gland Flange	Ductile iron	A-536
11 Packing Gland Stud	Steel	A-307-B
12 Packing Gland	Cast Bronze	B-62
13 Packing	Non-Asbestos	
14 Backseat Bushing	Stainless Steel	A-182 Gr. F-316
15 Bonnet	Cast Iron Ni	3% Nickel
16 Bonnet Bolt	Steel	A-307-B
17 Bonnet Bolt Nut	Steel	A-307-B
18 Bonnet Gasket	Non-Asbestos	
19 Body	Cast Iron Ni	3% Nickel
20 Disc 2"-3"	Stainless Steel	A-182 Gr F-316
"4" and Larger	Cast Iron Ni	3% Nickel
21 Body Seat Ring	Stainless Steel	A-182 Gr. F-316
22 Disc Seat Ring	Stainless Steel	A-182 Gr. F-316

\*Nickel Iron Disc with Stainless Steel Facing

## SPECIFICATIONS

- WW-V-58 Class 2, Type 1 & MSS SP-70

## DIMENSIONS (Inches)

Size	2	2 1/2	3	4	5	6	8	10	12	14	16	18	20	24
A	7	7 1/2	8	9	10	10 1/2	11 1/2	13	14	15	16	17	18	20
B	14 23/32	16 21/32	18 55/64	23 7/16	27 23/32	32 1/4	39 29/64	48 5/32	56 1/16	62 7/16	71 1/16	79	87 1/8	100 1/16
C	7	7	8	10	12	12	14	16	18	20	22	24	24	30
D	6	7	7 1/2	9	10	11	13 1/2	16	19	21	23 1/2	25	27 1/2	32
E	5/8	11/16	3/4	15/16	15/16	1	1 1/8	1 3/16	1 1/4	1 3/8	1 7/16	1 9/16	1 11/16	1 7/8

## WEIGHTS (Pounds)

Fig. 1893

36	48	60	103	143	186	298	441	628	880	1166	1467	1824	2618
----	----	----	-----	-----	-----	-----	-----	-----	-----	------	------	------	------