



KENNEDY VALVE

2”-12” Resilient Wedge Gate Valve Model KS FW C509 General Dimensions



AWWA

Note: 2” OS&Y Flanged and Threaded versions are UL Listed

All OS&Y Gates incorporate a pre-grooved stem for supervisory switch

Flanged valves: Standard taps are 1/2” for 4” and smaller valves. Standard taps are 3/4” for 6” and larger valves.

*Older production may have 1/2” taps.

END CONNECTIONS	STEM TYPE	SIZE RANGE	FIGURE NO.	w/ POST PLATE	PAGE NO.
Flanged Ends	Non-Rising	2”-12”	8561ASS	8701ASS (3”-12”)	2, 3, 6
Mechanical Joint	Non-Rising	2”-12”*	8571SS	8071SS (3”-12”)	2, 3, 8
Flange x Mechanical Joint	Non-Rising	3”-12”	8572SS	8702SS (3”-12”)	2, 3, 9
Push-on for PVC (SDR)	Non-Rising	2”-8”	8597SS	8597PSS (3”-8”)	2, 3, 12
Flanged Ends	OS&Y	2”-12”	8068A	N/A	4, 5, 7
Mechanical Joint x Tap Ends	Non-Rising	4”-12”	8950SS	8950PSS	2, 3, 15
Push-on for D.I. & C900 PVC	Non-Rising	4”-12”	8901SS	8901PSS	2, 3, 10
M.J. Cutting-in	Non-Rising	4”-12”	8576SS	8576PSS	2, 3, 13
Push-on for D.I. x Fig.	Non-Rising	4”-12”	8902SS	8902PSS	2, 3, 11
Threaded	Non-Rising	2”-3”	8057SS	8057PSS (3” only)	2, 3, 14
Threaded	OS&Y	2”-3”	8067SS	N/A	4, 5, 16

*excludes 2½”

**SDR - Standard Dimension Ratio

SIZE RANGE	WATER WORKING PRESSURE PSI	SEAT TEST PSI	HYDROSTATIC SHELL TEST PSI
AWWA 2”-12”	250 Water Work	300	500
ULFM 2”-12”	200 Fire Protection	300	500

Available in either non-rising stem or outside screw & yoke.

ACCESSORIES

- | | |
|-----------------------|-------------------------------|
| Indicator Posts | Floorstands (Non-Rising Stem) |
| “T” Handles” | Handwheels |
| Stem Guides | Extension Stems |
| 2” Sq. Operating Nuts | Chain Wheels |
| Floor Boxes | |

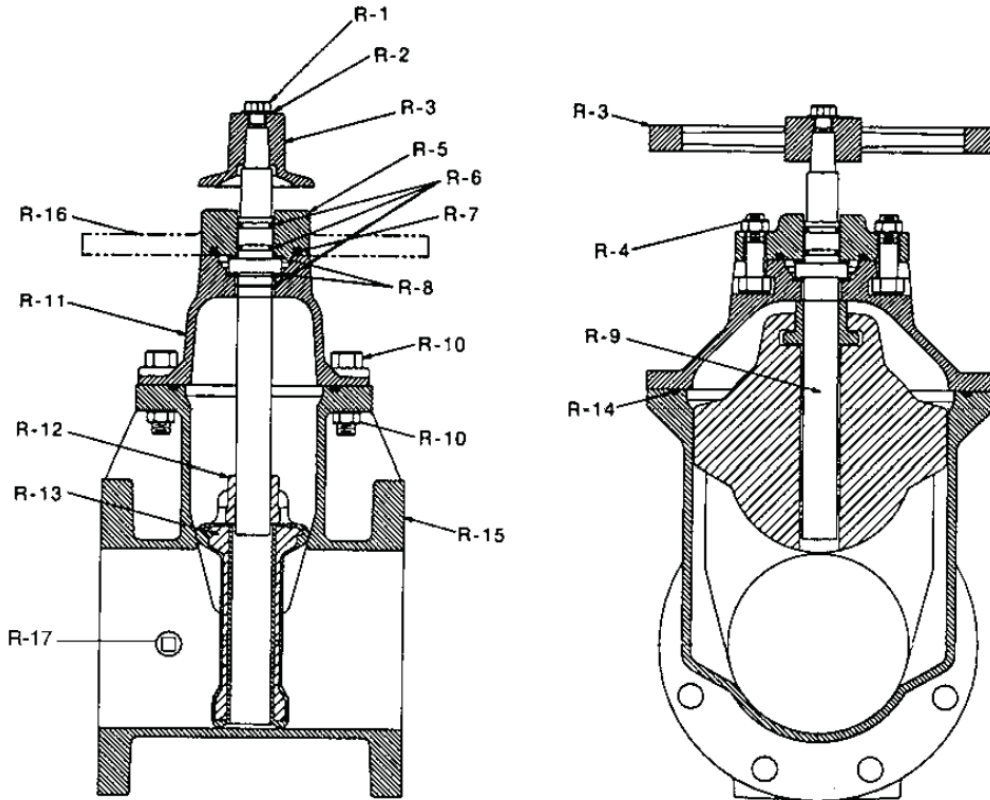


KENNEDY VALVE

2"-12" Resilient Seated Gate Valve KS FW Non-Rising Material List



AWWA



PIPE PLUG STANDARD ON FLANGE & GROOVE VALVES @ POSITION "A"

DET.	NAME OF PART	MATERIAL	ASTM SPEC.
R-1	Hex Head Bolt	Stainless Steel	ASTM F593C
R-2	Flat Washer	Zinc Plated Steel	ASTM A307
R-3	Operating Nut	Cast Iron	ASTM A126 Class B
	Handwheel	Cast Iron	ASTM A126 Class B
R-4	Hex Bolt & Nut	Stainless Steel	ASTM F593C/F594
R-5	Stuffing Box	2" thru 8"	Cast Iron ASTM A126 Class B
		10" and 12"	Ductile Iron ASTM A536 Grade 70-50-5
R-6	O-Ring (Stem)	EPDM	-----
R-7	O-Ring (Stuffing Box)	EPDM	-----
R-8	Thrust Washer	Delrin	-----
R-9	Stem	Bronze	ASTM B584 C86700
R-10	Hex Head Cover Bolts & Nuts	Stainless Steel	ASTM F593C/F594
R-11	Cover	Cast Iron	ASTM A126 Class B
R-12	Stem Nut	Bronze (NDZ)	ASTM B763 C99500
R-13	Wedge (EPDM Encapsulated)	Ductile Iron	ASTM A536 Grade 70-50-5
R-14	O-Ring (Cover)	EPDM	-----
R-15	Body (All Types)	Cast Iron	ASTM A126 Class B
R-16	Plate	Cast Iron	ASTM A126 Class B
R-17	Pipe Plug	Low Carbon Steel	-----



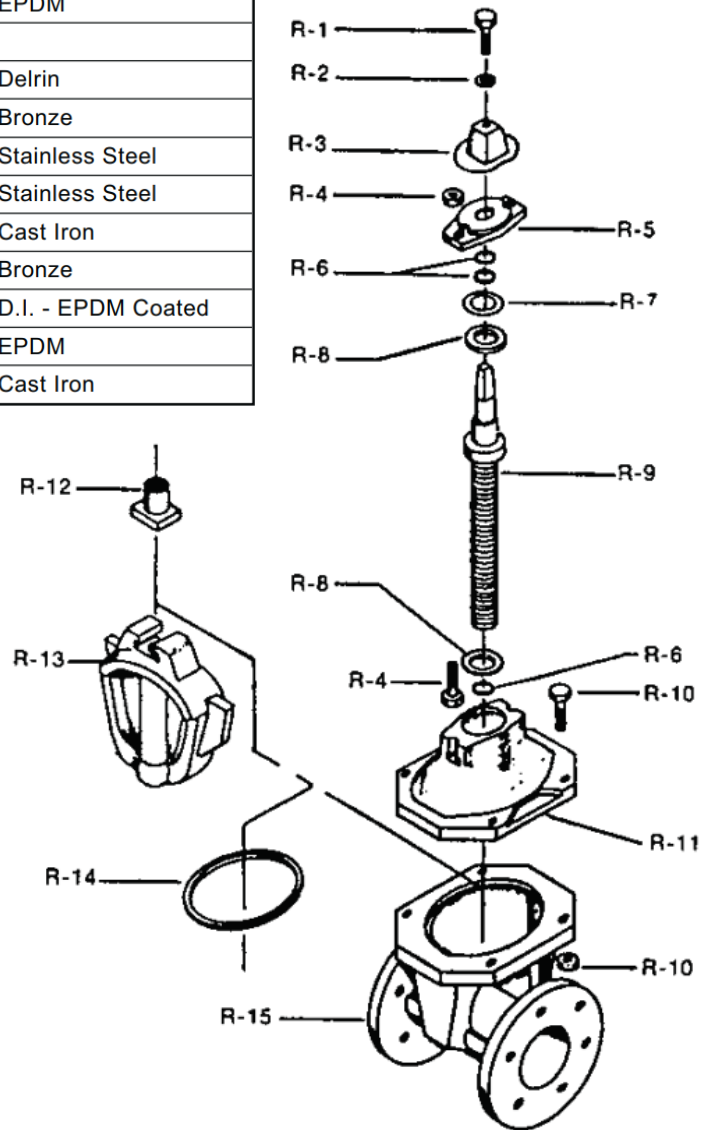
KENNEDY VALVE

2"-12" Resilient Seated Gate Valve KS FW Non-Rising Assembly Explosion



AWWA

DET.	QTY.	DESCRIPTION	MATERIALS
R-1	1	Hold Down Hex Bolt	Stainless Steel
R-2	1	Hold Down Bolt Washer	Zinc Plated Steel
R-3	1	Sq. Operating Nut OR Handwheel (Not Shown)	Cast Iron
R-4	2	Bolt & Nut (Stuffing Box)	Stainless Steel
R-5	1	Stuffing Box (10" & 12" D.I.)	Cast Iron
R-6	3	O-Ring (Stem) 1 Below Collar	EPDM
R-7	1	O-Ring (Stuffing Box)	EPDM
R-8	1	Thrust Washer (Sizes 2"-2 1/2")	
	2	Thrust Washer (Sizes 3" thru 12")	Delrin
R-9	1	Stem	Bronze
R-10	4	Cover Bolts & Nuts (Sizes 2" thru 6")	Stainless Steel
	8	Cover Bolts & Nuts (Sizes 8" thru 12")	Stainless Steel
R-11	1	Cover	Cast Iron
R-12	1	Stem Nut	Bronze
R-13	1	Wedge Disc	D.I. - EPDM Coated
R-14	1	O-Ring (Cover)	EPDM
R-15	1	Body	Cast Iron





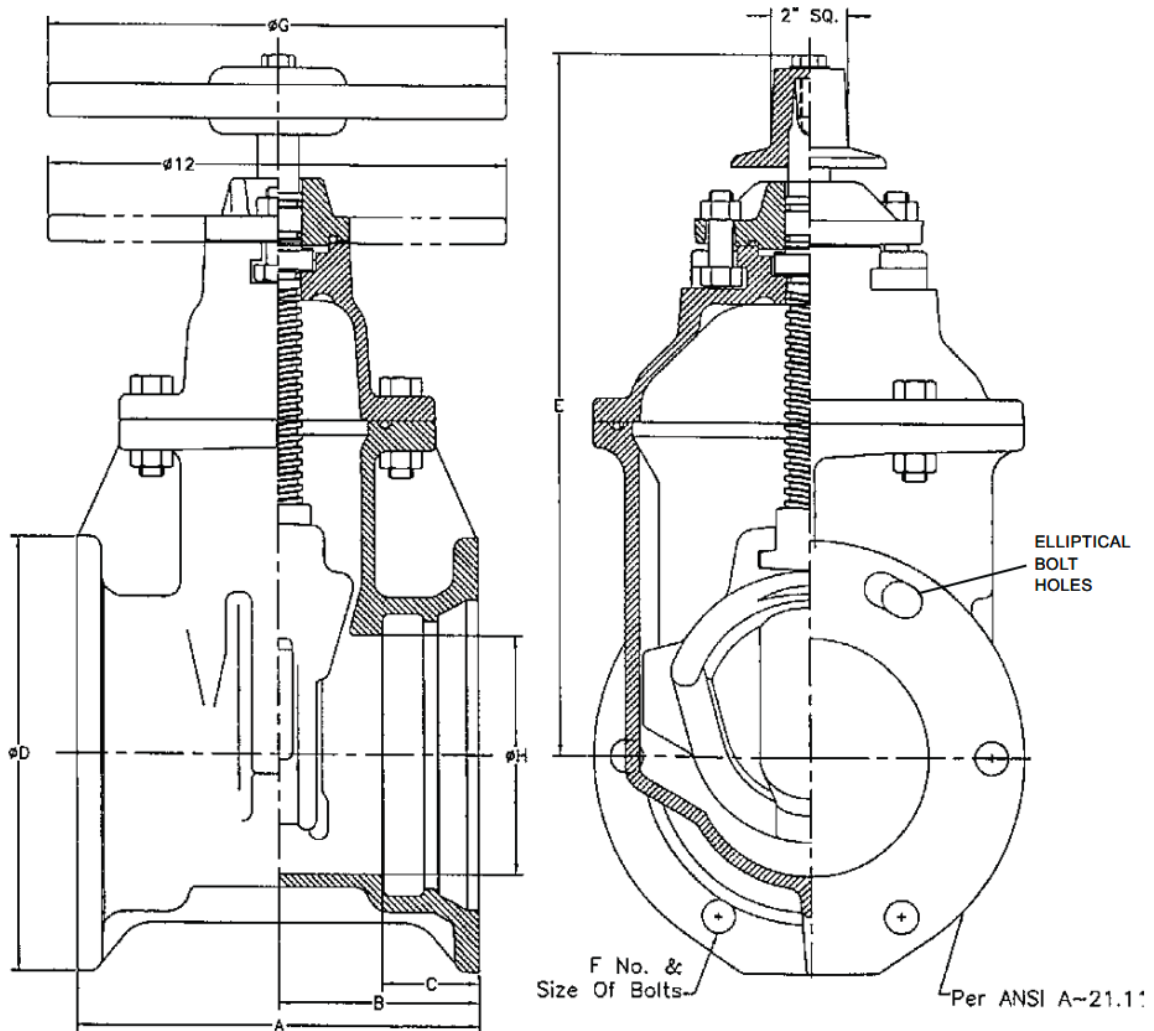
KENNEDY VALVE

2"-12" Resilient Seated Gate Valve
KS FW
Mechanical Joint Ends
General Dimensions



Fig. 8571SS
 Fig. 8071SS 3"-12" (with post plate)

AWWA



ELLIPTICAL BOLT HOLE DESIGN ELIMINATES THE NEED FOR ANTI-ROTATIONAL BOLTS

VALVE SIZE	A	B	C	D	E	F	G	H	WEIGHT*
2	8 1/4	4 1/8	2 1/2	4 1/2	10 7/8	4 5/8	7 1/4	2	36
2 1/2	—	—	—	—	—	—	—	—	—
3	8 1/2	4 1/4	2 1/2	7 3/4	12 3/8	4 5/8	10	3	59
4	9 1/2	4 3/4	2 1/2	9 1/8	14 3/4	4 3/4	10	4 1/4	86
6	10 1/2	5 1/2	2 1/2	11 3/8	19	6 3/4	12	6 1/4	134
8	13 1/8	6 9/16	2 1/2	13 3/4	22 1/2	6 3/4	14	8 1/4	206
10	15 1/2	7 3/4	2 1/2	15 3/4	26 1/2	8 3/4	18	10 1/4	351
12	16	8	2 5/8	18	30	8 3/4	18	12 1/4	473

*ADD 16 LBS. FOR INDICATOR POST PLATE (3"-12" only)