

**GOOSENECK SPOUT**  
**K-13770**  
**ALSO K-13774**

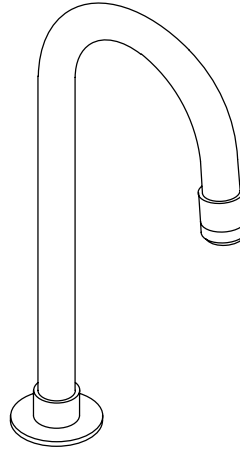
**FEATURES**

- Brass construction
- 5" gooseneck spout
- 2.5 gallons per minute
- Flange

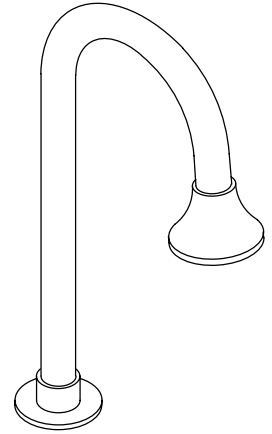
**CODES/STANDARDS APPLICABLE**

Specified model meets or exceeds the following:

- ASME/ANSI A112.18.1M
- Energy Policy Act of 1992 (K-13770)
- IAPMO/UPC
- NSF 61 (K-13774)



K-13770



K-13774

**COLORS/FINISHES**

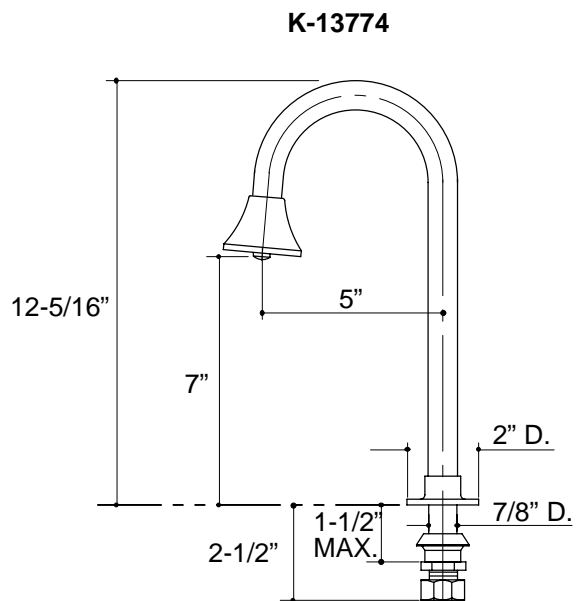
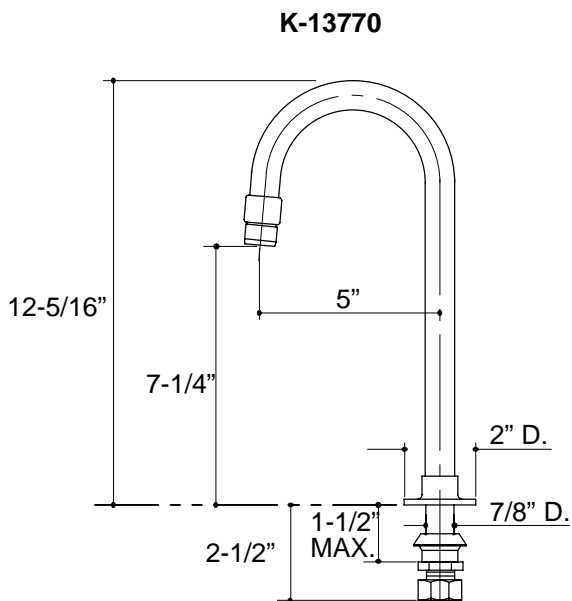
- CP Polished Chrome

**SPECIFIED MODEL:**

Model	Description	
K-13770	With Standard Aerator	<input type="checkbox"/> CP
K-13774	With Rosespray	<input type="checkbox"/> CP

**PRODUCT SPECIFICATION:**

Gooseneck spout shall be of brass construction. Spout shall be available with standard or rosespray aerator. Product shall include 5" gooseneck spout, flange, and 1/2" external N.P.T. connection. Product shall be Kohler Model K-\_\_\_\_\_-CP.



316

## PRODUCT DIAGRAM