

3 1/4" x 10" RECTANGULAR DUCT WALL CAP INSTALLATION INSTRUCTIONS

Plan Installation carefully. Before installing wall cap, make sure that birdscreen is in place and bowed outward. Make sure that birdscreen does not interfere with movement of damper flap. Refer to Figure 5 and Step 8 under "Maintenance".

Wall cap accepts 3-1/4" x 10" duct. Tape all ductwork joints with duct tape to prevent air and water leaks.

Installation in New Brick Construction

1. Cut opening 3 1/2" x 10 1/4" in sheathing or wall board so that wall cap will line up easily with duct.
2. Determine thickness of final wall and adjust wall cap and duct so that cap will be flush with face brick. (Fig. 1)

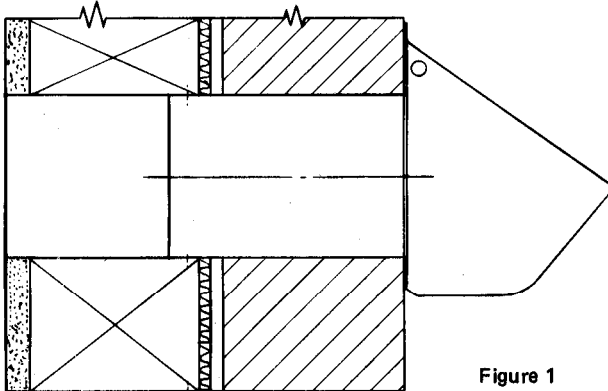


Figure 1

3. After face brick is installed, nail or screw cap to wall using holes in wall cap flange.
4. Caulk all around flange with high-quality caulking compound. (Fig. 2)
5. Run ductwork from range hood or fan. Tape all joints with duct tape.

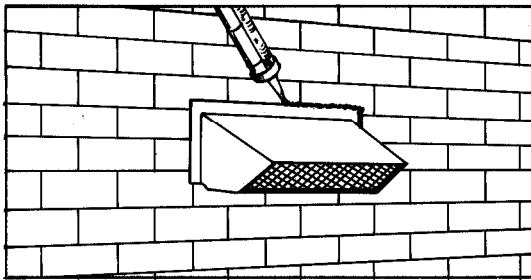


Figure 2

Installation in Frame Construction

1. Cut opening 3 1/2" x 10 1/4" in wall so that wall cap will line up easily with ductwork. (Fig. 3)

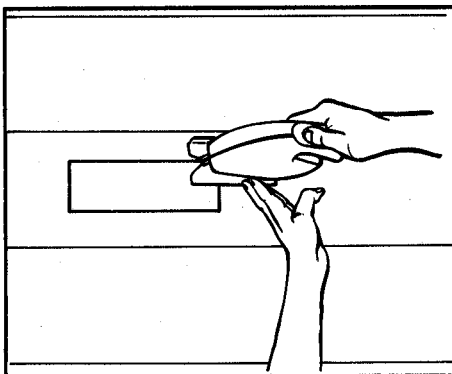


Figure 3

2. Nail down siding corners. Trim opening in siding with casing strips. (Fig. 4)

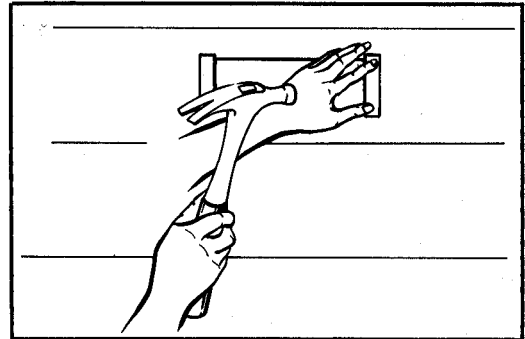


Figure 4

3. Determine thickness of final wall and adjust wall cap and duct so that cap will be flush with siding. (See Fig. 1)
4. Nail or screw cap to wall using holes in wall cap flange.
5. Run ductwork back to range hood or fan. Tape all joints with duct tape.
6. Seal all around flange with high-quality caulking compound. (See Fig. 2)

Maintenance (See Fig. 5)

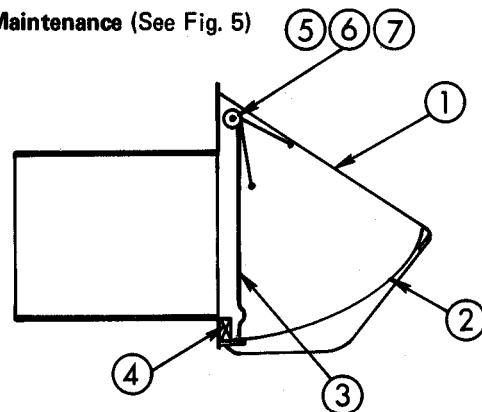


Figure 5

ITEM	QUANTITY	PART NUMBER	DESCRIPTION
1	1	97006177	Housing (Painted)
		97006251	Housing (Aluminum)
2	1	98005586	Bird Screen
3	1	98005588	Damper Flap
4	1	99500323	Long Sealant Strip
5	1	98005585	Damper Rod
6	2	99100379	Damper Bushing
7	1	99140100	Damper Spring

To replace damper flap or gasket material:

1. Remove birdscreen using sharp point (screwdriver, knife, etc.), pull down and pop screen out.
2. Using a pointed-nose pliers, squeeze barbs on black damper bushing and push bushing out (remove bushing on one side only).
3. Pull damper rod out of flap.
4. Replace defective or worn parts.
5. Replace damper flap with rib on outside, and push damper rod through cap and part way through notch in center of flap.
6. Slide spring over rod and push rod through flap. Make sure that rod seats itself into damper bushing.
7. Push damper bushing into cap. Make sure that damper flap opens freely.
8. Replace birdscreen. Birdscreen must bow outward as shown in Figure 5 to insure free movement of damper flap.

NOTE: The high quality Paint coating on our outdoor accessories may be used as the exterior finish or as a prime coat for the finish of your choice. We suggest that you apply the coating best suited for the special conditions of your installation.

99040510C