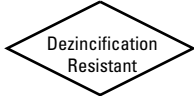


Bronze Ball Valves

Two-Piece Body • Full Port • Bronze Trim • Blowout-Proof Stem

600 PSI/41.4 bar non-shock cold working pressure
150 PSI/10.3 bar saturated steam*

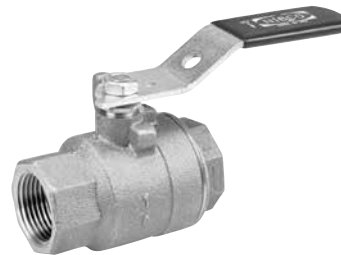
CONFORMS TO MSS SP-110



MATERIAL LIST

PART	SPECIFICATION
1. Handle Nut	Zinc Plated Steel
2. Handle	Zinc Plated Steel Clear Chromate Plastisol Coated
3. Threaded Pack Gland	Brass ASTM B 16 Alloy C36000
4. Packing	PTFE
5. Stem	Silicon Bronze ASTM B 371 Alloy C69300 or ASTM B 99 Alloy C65100
6. Thrust Washer	Reinforced PTFE
7. Ball	Brass ASTM B 124 Alloy C37700 or ASTM B16 Alloy C36000 EACH with Hard Chrome Plate
8. Seat Ring (2)	Reinforced PTFE
9. Body	Cast Red Bronze ASTM B 584 Alloy C84400
10. Body End Piece	Cast Red Bronze ASTM B 584 Alloy C84400

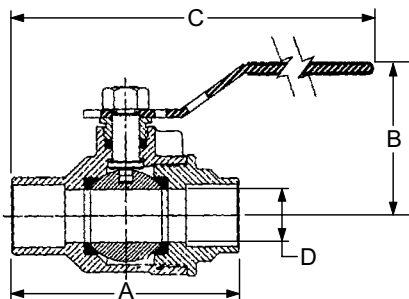
¼" size only has a 304 stainless steel grounding washer.



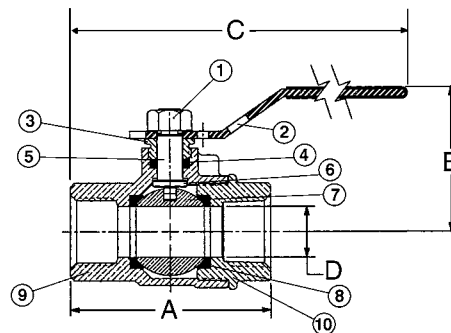
T-585-70
Threaded



S-585-70
Solder



S-585-70
C x C



T-585-70
NPT x NPT

DIMENSIONS—WEIGHTS—QUANTITIES

Size	Dimensions												Weights				Master Ctn. Qty.
	T-585-70		S-585-70		T-585-70		S-585-70		T-585-70		S-585-70		T-585-70		S-585-70		
In. mm.	A In. mm.	A In. mm.	B In. mm.	C In. mm.	C In. mm.	C In. mm.	C In. mm.	D In. mm.	Lbs. Kg.	Lbs. Kg.	Lbs. Kg.	Lbs. Kg.	Lbs. Kg.	Lbs. Kg.	Lbs. Kg.	Lbs. Kg.	
¼	8 2.00	51 1.75	44 1.75	44 1.75	44 1.75	44 1.75	44 1.75	127 5.00	.45	.21	.42	.19	.45	.21	.42	.19	100
⅜	10 2.00	51 1.84	47 1.75	44 1.75	44 1.75	44 1.75	44 1.75	127 5.00	.48	.22	.45	.20	.48	.22	.45	.20	100
½	15 2.44	62 2.56	65 1.88	48 1.88	48 1.88	48 1.88	48 1.88	132 5.19	.64	.29	.60	.27	.64	.29	.60	.27	100
¾	20 2.94	75 3.25	82 2.25	57 2.25	57 2.25	57 2.25	57 2.25	159 6.25	1.33	.60	1.27	.58	1.33	.60	1.27	.58	50
1	25 3.34	85 3.75	95 2.38	60 2.38	60 2.38	60 2.38	60 2.38	164 6.63	1.79	.81	1.72	.78	1.79	.81	1.72	.78	40
1¼	32 4.19	106 5.06	128 3.00	76 3.00	76 3.00	76 3.00	76 3.00	171 7.19	3.12	1.41	3.18	1.44	3.12	1.41	3.18	1.44	20
1½	40 4.72	120 5.99	151 3.16	80 3.16	80 3.16	80 3.16	80 3.16	230 9.69	4.78	2.17	5.12	2.32	4.78	2.17	5.12	2.32	10
2	50 5.16	131 6.72	170 3.50	89 3.50	89 3.50	89 3.50	89 3.50	235 10.06	6.68	3.03	7.10	3.22	6.68	3.03	7.10	3.22	8

Note: solder end is designed to be soft-soldered into lines using solders with the melting point not exceeding 500°F. Higher temperature solders will damage the seat material. See installation sheet packaged with valves.

*For detailed operating pressure, refer to pressure temperature chart on page 42.

**LEAD FREE*
OPTION
AVAILABLE**

**OXYGEN
SERVICE
OPTION
AVAILABLE**

*Weighted average lead content ≤ 0.25%

Visit our website for the most current information.