

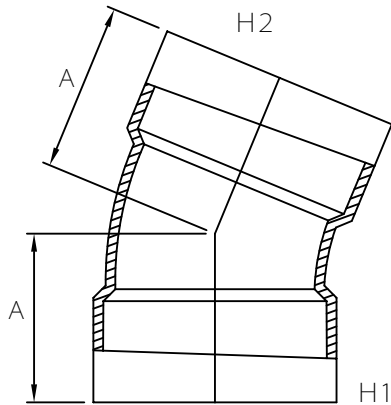


MULTI FITTINGS

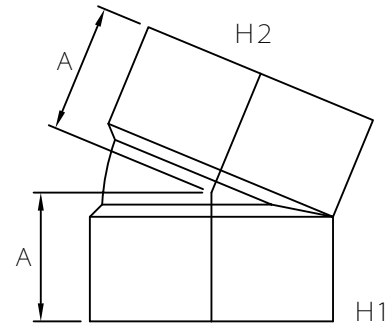
# LAYING LENGTH

ISSUE DATE: 2018 02 07  
SUPERCEDES: 2005 06 30

## 22 1/2° ELBOW (HxH) (1/16 BEND)



INJECTION MOLDED FITTING (M)



FABRICATED FITTING (F)

	SIZE H1xH2	PART NUMBER	A REF	
M	4x4	026473	2.750	056
M	6x6	026148	4.500	084
M	6x6	226029	4.500	084
F	8x8	294515	5.25	670
F	10x10	294519	6.25	670
F	12x12	294523	7.50	670
F	14x14	294527	8.75	670
F	16x16	294531	10.00	670
F	18x18	294535	11.25	670
F	20x20	294539	12.50	670
F	24x24	294543	14.75	670

NOTE: Refer to Page LPD5 for Molded hub detail  
Refer to Page LPD5 - 1 for Fabricated hub detail



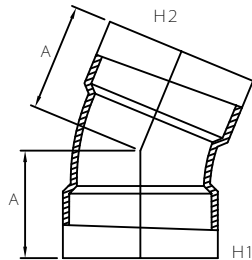
MULTI FITTINGS

# LAYING LENGTH

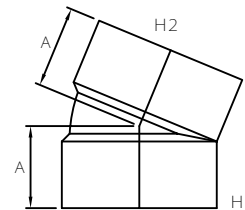
ISSUE DATE: 2018 02 07

SUPERCEDES: 2005 06 30

22 1/2° ELBOW (HxH)  
(1/16 BEND)



INJECTION MOLDED FITTING (M)



FABRICATED FITTING (F)

	SIZE H1xH2	PART NUMBER	A REF	
M	4x4	026473	2.750	056
M	6x6	026148	4.500	084
M	6x6	226029	4.500	084
F	8x8	294515	5.25	670
F	10x10	294519	6.25	670
F	12x12	294523	7.50	670
F	14x14	294527	8.75	670
F	16x16	294531	10.00	670
F	18x18	294535	11.25	670
F	20x20	294539	12.50	670
F	24x24	294543	14.75	670

NOTE: Refer to Page LPD5 for Molded hub detail  
Refer to Page LPD5 -1 for Fabricated hub detail