



RBHP

Parts List
19-January-2017



*This parts list is current as of the above revision date.
See <http://www.rheempartslists.net/92-42800-RBHP.pdf> for the current revision.*

Air Handlers

Table of Contents

Model Explanation	Page 3
Parts Numbers	
Panels - Miscellaneous (Granite-Steel Gray) (1)	Page 4
Panels - Miscellaneous (Granite-Steel Gray) (2)	Page 5
Panels - Miscellaneous (Neutra Green) (1)	Page 6
Panels - Miscellaneous (Neutra Green) (2)	Page 7
Electrical Group (1)	Page 8
Electrical Group (2)	Page 9
Blower Group (1)	Page 10
Blower Group (2)	Page 11
Electric Heat Group	Page 12
Coil Parts	Page 13
Accessories	Page 13
Drawings/Photographs	
Exploded View	Page 14
Door Assembly	Page 14
Electrical Assembly	Page 15
Notes/Disclaimer	Page 16

MODEL NUMBER EXPLANATION

R	B	H	P	-	17	J	11	N	H	D
1	2	3	4		5	6	7	8	9	10

- | | |
|--|---|
| <p>1 TRADEBRAND IDENTIFICATION</p> <p>2 BLOWER UNIT</p> <p>3 TYPE
H = Horizontal Multi-position</p> <p>4 DESIGN SERIES
P = X-13 Motor</p> <p>5 CABINET WIDTH
17=17.5 in. 24=24.5 in.
21=21.0 in. 25=24.5 in.</p> <p>6 ELECTRICAL DESIGNATION
A=115V-1-60
J=208/230V-1-60</p> | <p>7 ELECTRIC HEAT DESIGNATION
00 = No Heat 14 = 14.0 KW
06 = 4.9 KW 18 = 17.5 KW
07 = 7.0 KW 21 = 21.0 KW
11 = 10.0 KW</p> <p>8 CONTROL DESIGNATION
N = No Circuit Breakers (Single Circuit)
S = Circuit Breaker(s) (Single Circuit)</p> <p>9 AIRFLOW DIRECTION
H = Horizontal Multi-Position</p> <p>10 COIL CODE</p> |
|--|---|

SERIAL NUMBER EXPLANATION

T	M	0	8	0	7	0	0	0	0	1
1	2	3		4		5				

- 1 SEQUENCE MANUFACTURER**
- 2 PRODUCTION LOCATION**
M = Milledgeville, GA
- 3 WEEK**
- 4 YEAR**
- 5 PRODUCTION NUMBER**

No.	Notes	MODEL	RBHP	RBHP	RBHP	RBHP	RBHP
		CABINET WIDTH	17	17	17	17	21
		VOLTAGE	A	J	J	J	A
		HEAT DESIGNATION	00	06	07	11	00
		CONTROL DESIGNATION	N	S	S	S	N
SHEET METAL PARTS, MISCELLANEOUS (Granite/Steel Gray, After Date Code 0112)							
1	Jacket - Blower		AE-103178-32	AE-103178-32	AE-103178-32	AE-103178-32	AE-103178-33
	Jacket - Coil		AE-103177-32	AE-103177-32	AE-103177-32	AE-103177-32	AE-103177-33
2	Blower Shelf - Cover/Top Deck		AS-58389-05	AS-58389-05	AS-58389-05	AS-58389-05	AS-58389-06
3	Bottom Channel		AE-58381-02	AE-58381-02	AE-58381-02	AE-58381-02	AE-58381-03
4	Blower Door Panel		AE-59440-45	AE-59440-46	AE-59440-46	AE-59440-46	AE-59441-45
4a	Circuit Breaker Cover		N/A	68-101808-01	68-101808-01	68-101808-01	N/A
4b	Circuit Breaker Cover Gasket		N/A	68-24337-02	68-24337-02	68-24337-02	N/A
6	Filter - Plastic		68-101807-02	68-101807-02	68-101807-02	68-101807-02	68-101807-03
	Filter Door Panel		AE-59440-42	AE-59440-42	AE-59440-42	AE-59440-42	AE-59441-42
	Coil Door Panel		AE-59440-41	AE-59440-41	AE-59440-41	AE-59440-41	AE-59441-41
	Block Off Plate - Upflow Refrigerant		N/A	N/A	N/A	AE-58490-40	N/A
12	Center Panel		AE-58385-02	AE-58385-02	AE-58385-02	AE-58385-04	AE-58385-07
	Foam Gasket		68-100229-17	68-100229-17	68-100229-17	68-100229-17	68-100229-17
	Block Off Plate (Condensate)		AE-58490-35	AE-58490-35	AE-58490-35	AE-58490-35	AE-58490-35
	Block-Off Plate (Refrigerant)		AE-58490-37	AE-58490-37	AE-58490-37	AE-58490-37	AE-58490-37

No.	Notes	MODEL	RBHP	RBHP	RBHP	RBHP	RBHP
		CABINET WIDTH	21	21	21	21	24
		VOLTAGE	J	J	J	J	A
		HEAT DESIGNATION	06	07	11	14	00
		CONTROL DESIGNATION	S	S	S	S	N
SHEET METAL PARTS, MISCELLANEOUS (Granite/Steel Gray, After Date Code 0112)							
1	Jacket - Blower		AE-103178-33	AE-103178-33	AE-103178-33	AE-103178-33	AE-103178-34
	Jacket - Coil		AE-103177-33	AE-103177-33	AE-103177-33	AE-103177-33	AE-103177-34
2	Blower Shelf - Cover/Top Deck		AS-58389-06	AS-58389-06	AS-58389-06	AS-58389-06	AS-58389-07
3	Bottom Channel		AE-58381-03	AE-58381-03	AE-58381-03	AE-58381-03	AE-58381-04
4	Blower Door Panel		AE-59441-50	AE-59441-50	AE-59441-50	AE-59441-51	AE-59442-45
4a	Circuit Breaker Cover		68-101808-01	68-101808-01	68-101808-01	68-101808-01	N/A
4b	Circuit Breaker Cover Gasket		68-24337-02	68-24337-02	68-24337-02	68-24337-02	N/A
6	Filter - Plastic		68-101807-03	68-101807-03	68-101807-03	68-101807-03	68-101807-04
	Filter Door Panel		AE-59441-42	AE-59441-42	AE-59441-42	AE-59441-42	AE-59442-42
	Coil Door Panel		AE-59441-41	AE-59441-41	AE-59441-41	AE-59441-41	AE-59442-41
	Block Off Plate - Upflow Refrigerant		N/A	N/A	N/A	AE-58490-40	N/A
12	Center Panel		AE-58385-08	AE-58385-08	AE-58385-08	AE-58385-09	AE-58385-14
	Foam Gasket		68-100229-17	68-100229-17	68-100229-17	68-100229-17	68-100229-17
	Block Off Plate (Condensate)		AE-58490-35	AE-58490-35	AE-58490-35	AE-58490-35	AE-58490-35
	Block-Off Plate (Refrigerant)		AE-58490-37	AE-58490-37	AE-58490-37	AE-58490-37	AE-58490-37

No.	Notes	MODEL	RBHP	RBHP	RBHP	RBHP	RBHP
		CABINET WIDTH	24	24	24	24	24
		VOLTAGE	J	J	J	J	J
		HEAT DESIGNATION	06	07	11	14	18
		CONTROL DESIGNATION	S	S	S	S	S
SHEET METAL PARTS, MISCELLANEOUS (Granite/Steel Gray, After Date Code 0112)							
1	Jacket - Blower		AE-103178-34	AE-103178-34	AE-103178-34	N/A	AE-103178-34
	Jacket - Coil		AE-103177-34	AE-103177-34	AE-103177-34	N/A	AE-103177-34
2	Blower Shelf - Cover/Top Deck		AS-58389-07	AS-58389-07	AS-58389-07	N/A	AS-58389-07
3	Bottom Channel		AE-58381-04	AE-58381-04	AE-58381-04	N/A	AE-58381-04
4	Blower Door Panel		AE-59442-46	AE-59442-46	AE-59442-46	N/A	AE-59442-47
4a	Circuit Breaker Cover		N/A	68-101808-01	68-101808-01	N/A	68-101808-01
4b	Circuit Breaker Cover Gasket		N/A	68-24337-02	68-24337-02	N/A	N/A
6	Filter - Plastic		68-101807-04	68-101807-04	68-101807-04	N/A	68-101807-04
	Filter Door Panel		AE-59442-42	AE-59442-42	AE-59442-42	N/A	AE-59442-42
	Coil Door Panel		AE-59442-41	AE-59442-41	AE-59442-41	N/A	AE-59442-41
	Block Off Plate - Upflow Refrigerant		N/A	N/A	N/A	N/A	N/A
12	Center Panel		AE-58385-16	AE-58385-16	AE-58385-16	N/A	AE-58385-18
	Foam Gasket		68-100229-17	68-100229-17	68-100229-17	N/A	68-100229-17
	Block Off Plate (Condensate)		AE-58490-35	AE-58490-35	AE-58490-35	N/A	AE-58490-35
	Block-Off Plate (Refrigerant)		AE-58490-37	AE-58490-37	AE-58490-37	N/A	AE-58490-37

No.	Notes	MODEL	RBHP	RBHP	RBHP	RBHP	RBHP
		CABINET WIDTH	25	25	25	25	25
		VOLTAGE	A	J	J	J	J
		HEAT DESIGNATION	00	11	14	18	21
		CONTROL DESIGNATION	N	S	S	S	S
SHEET METAL PARTS, MISCELLANEOUS (Granite/Steel Gray, After Date Code 0112)							
1	Jacket - Blower		AE-103178-34	AE-103178-34	N/A	AE-103178-34	AE-103178-34
	Jacket - Coil		AE-103177-34	AE-103177-34	N/A	AE-103177-34	AE-103177-34
2	Blower Shelf - Cover/Top Deck		AS-58389-04	AS-58389-04	N/A	AS-58389-04	AS-58389-04
3	Bottom Channel		AE-58381-04	AE-58381-04	N/A	AE-58381-04	AE-58381-04
4	Blower Door Panel		AE-59442-45	AE-59442-46	N/A	AE-59442-47	AE-59442-47
4a	Circuit Breaker Cover		N/A	68-101808-01	N/A	68-101808-01	68-101808-01
4b	Circuit Breaker Cover Gasket		N/A	68-24337-02	N/A	68-24337-02	68-24337-02
6	Filter - Plastic		68-101807-04	68-101807-04	N/A	68-101807-04	68-101807-04
	Filter Door Panel		AE-59442-42	AE-59442-42	N/A	AE-59442-42	AE-59442-42
	Coil Door Panel		AE-59442-41	AE-59442-41	N/A	AE-59442-41	AE-59442-41
	Block Off Plate - Upflow Refrigerant		N/A	N/A	N/A	N/A	AE-58490-40
12	Center Panel		AE-58385-24	AE-58385-25	N/A	AE-58385-26	AE-58385-26
	Foam Gasket		68-100229-17	68-100229-17	N/A	68-100229-17	68-100229-17
	Block Off Plate (Condensate)		AE-58490-35	AE-58490-35	N/A	AE-58490-35	AE-58490-35
	Block-Off Plate (Refrigerant)		AE-58490-37	AE-58490-37	N/A	AE-58490-37	AE-58490-37

No.	Notes	MODEL	RBHP	RBHP	RBHP	RBHP	RBHP
		CABINET WIDTH	17	17	17	17	21
		VOLTAGE	A	J	J	J	A
		HEAT DESIGNATION	00	06	07	11	00
		CONTROL DESIGNATION	N	S	S	S	N
SHEET METAL PARTS, MISCELLANEOUS (Neutra Green, Before Date Code 0112)							
1	Jacket - Blower	AS-58397-02	AS-58397-02	AS-58397-02	AS-58397-02	AS-58397-02	AS-58397-03
	Jacket - Coil	N/A	N/A	N/A	N/A	N/A	N/A
2	Blower Shelf - Cover/Top Deck	AS-58389-05	AS-58389-05	AS-58389-05	AS-58389-05	AS-58389-05	AS-58389-06
3	Bottom Channel	AE-58381-02	AE-58381-02	AE-58381-02	AE-58381-02	AE-58381-02	AE-58381-03
4	Blower Door Panel	AE-59440-05	AE-59440-06	AE-59440-06	AE-59440-06	AE-59440-06	AE-59441-05
4a	Circuit Breaker Cover	N/A	68-101808-01	68-101808-01	68-101808-01	68-101808-01	N/A
4b	Circuit Breaker Cover Gasket	N/A	68-24337-02	68-24337-02	68-24337-02	68-24337-02	N/A
6	Filter - Plastic	68-101807-02	68-101807-02	68-101807-02	68-101807-02	68-101807-02	68-101807-03
	Filter Door Panel	AE-59440-02	AE-59440-02	AE-59440-02	AE-59440-02	AE-59440-02	AE-59441-02
	Coil Door Panel	AE-59440-01	AE-59440-01	AE-59440-01	AE-59440-01	AE-59440-01	AE-59441-01
	Block Off Plate - Upflow Refrigerant	N/A	N/A	N/A	AE-58490-10	AE-58490-10	N/A
12	Center Panel	AE-58385-02	AE-58385-02	AE-58385-02	AE-58385-04	AE-58385-04	AE-58385-07
	Foam Gasket	68-100229-17	68-100229-17	68-100229-17	68-100229-17	68-100229-17	68-100229-17
	Block Off Plate (Condensate)	AE-58490-35	AE-58490-35	AE-58490-35	AE-58490-35	AE-58490-35	AE-58490-35
	Block-Off Plate (Refrigerant)	AE-58490-37	AE-58490-37	AE-58490-37	AE-58490-37	AE-58490-37	AE-58490-37

No.	Notes	MODEL	RBHP	RBHP	RBHP	RBHP	RBHP
		CABINET WIDTH	21	21	21	21	24
		VOLTAGE	J	J	J	J	A
		HEAT DESIGNATION	06	07	11	14	00
		CONTROL DESIGNATION	S	S	S	S	N
SHEET METAL PARTS, MISCELLANEOUS (Neutra Green, Before Date Code 0112)							
1	Jacket - Blower	AS-58397-03	AS-58397-03	AS-58397-03	AS-58397-03	AS-58397-03	AS-58397-04
	Jacket - Coil	N/A	N/A	N/A	N/A	N/A	N/A
2	Blower Shelf - Cover/Top Deck	AS-58389-06	AS-58389-06	AS-58389-06	AS-58389-06	AS-58389-06	AS-58389-07
3	Bottom Channel	AE-58381-03	AE-58381-03	AE-58381-03	AE-58381-03	AE-58381-03	AE-58381-04
4	Blower Door Panel	AE-59441-10	AE-59441-10	AE-59441-10	AE-59441-10	AE-59441-11	AE-59442-05
4a	Circuit Breaker Cover	68-101808-01	68-101808-01	68-101808-01	68-101808-01	68-101808-01	N/A
4b	Circuit Breaker Cover Gasket	68-24337-02	68-24337-02	68-24337-02	68-24337-02	68-24337-02	N/A
6	Filter - Plastic	68-101807-03	68-101807-03	68-101807-03	68-101807-03	68-101807-03	68-101807-04
	Filter Door Panel	AE-59441-02	AE-59441-02	AE-59441-02	AE-59441-02	AE-59441-02	AE-59442-02
	Coil Door Panel	AE-59441-01	AE-59441-01	AE-59441-01	AE-59441-01	AE-59441-01	AE-59442-01
	Block Off Plate - Upflow Refrigerant	N/A	N/A	N/A	AE-58490-10	AE-58490-10	N/A
12	Center Panel	AE-58385-08	AE-58385-08	AE-58385-08	AE-58385-09	AE-58385-09	AE-58385-14
	Foam Gasket	68-100229-17	68-100229-17	68-100229-17	68-100229-17	68-100229-17	68-100229-17
	Block Off Plate (Condensate)	AE-58490-35	AE-58490-35	AE-58490-35	AE-58490-35	AE-58490-35	AE-58490-35
	Block-Off Plate (Refrigerant)	AE-58490-37	AE-58490-37	AE-58490-37	AE-58490-37	AE-58490-37	AE-58490-37

No.	Notes	MODEL	RBHP	RBHP	RBHP	RBHP	RBHP
		CABINET WIDTH	24	24	24	24	24
		VOLTAGE	J	J	J	J	J
		HEAT DESIGNATION	06	07	11	14	18
		CONTROL DESIGNATION	S	S	S	S	S
SHEET METAL PARTS, MISCELLANEOUS (Neutra Green, Before Date Code 0112)							
1	Jacket - Blower	AS-58397-04	AS-58397-04	AS-58397-04	AS-58397-04	AS-58397-04	AS-58397-04
	Jacket - Coil	N/A	N/A	N/A	N/A	N/A	N/A
2	Blower Shelf - Cover/Top Deck	AS-58389-07	AS-58389-07	AS-58389-07	AS-58389-07	AS-58389-07	AS-58389-07
3	Bottom Channel	AE-58381-04	AE-58381-04	AE-58381-04	AE-58381-04	AE-58381-04	AE-58381-04
4	Blower Door Panel	AE-59442-06	AE-59442-06	AE-59442-06	AE-59442-06	AE-59442-09	AE-59442-09
4a	Circuit Breaker Cover	68-101808-01	68-101808-01	68-101808-01	68-101808-01	68-101808-01	68-101808-01
4b	Circuit Breaker Cover Gasket	68-24337-02	68-24337-02	68-24337-02	68-24337-02	68-24337-02	68-24337-02
6	Filter - Plastic	68-101807-04	68-101807-04	68-101807-04	68-101807-04	68-101807-04	68-101807-04
	Filter Door Panel	AE-59442-02	AE-59442-02	AE-59442-02	AE-59442-02	AE-59442-02	AE-59442-02
	Coil Door Panel	AE-59442-01	AE-59442-01	AE-59442-01	AE-59442-01	AE-59442-01	AE-59442-01
	Block Off Plate - Upflow Refrigerant	N/A	N/A	N/A	N/A	N/A	AE-58490-10
12	Center Panel	AE-58385-16	AE-58385-16	AE-58385-16	AE-58385-18	AE-58385-18	AE-58385-18
	Foam Gasket	68-100229-17	68-100229-17	68-100229-17	68-100229-17	68-100229-17	68-100229-17
	Block Off Plate (Condensate)	AE-58490-35	AE-58490-35	AE-58490-35	AE-58490-35	AE-58490-35	AE-58490-35
	Block-Off Plate (Refrigerant)	AE-58490-37	AE-58490-37	AE-58490-37	AE-58490-37	AE-58490-37	AE-58490-37

No.	Notes	MODEL	RBHP	RBHP	RBHP	RBHP	RBHP
		CABINET WIDTH	25	25	25	25	25
		VOLTAGE	A	J	J	J	J
		HEAT DESIGNATION	00	11	14	18	21
		CONTROL DESIGNATION	N	S	S	S	S
SHEET METAL PARTS, MISCELLANEOUS (Neutra Green, Before Date Code 0112)							
1	Jacket - Blower	AS-58397-04	AS-58397-04	AS-58397-04	AS-58397-04	AS-58397-04	AS-58397-04
	Jacket - Coil	N/A	N/A	N/A	N/A	N/A	N/A
2	Blower Shelf - Cover/Top Deck	AS-58389-04	AS-58389-04	AS-58389-04	AS-58389-04	AS-58389-04	AS-58389-04
3	Bottom Channel	AE-58381-04	AE-58381-04	AE-58381-04	AE-58381-04	AE-58381-04	AE-58381-04
4	Blower Door Panel	AE-59442-05	AE-59442-06	AE-59442-09	AE-59442-07	AE-59442-07	AE-59442-07
4a	Circuit Breaker Cover	N/A	68-101808-01	68-101808-01	68-101808-01	68-101808-01	68-101808-01
4b	Circuit Breaker Cover Gasket	N/A	68-24337-02	68-24337-02	68-24337-02	68-24337-02	68-24337-02
6	Filter - Plastic	68-101807-04	68-101807-04	68-101807-04	68-101807-04	68-101807-04	68-101807-04
	Filter Door Panel	AE-59442-02	AE-59442-02	AE-59442-02	AE-59442-02	AE-59442-02	AE-59442-02
	Coil Door Panel	AE-59442-01	AE-59442-01	AE-59442-01	AE-59442-01	AE-59442-01	AE-59442-01
	Block Off Plate - Upflow Refrigerant	N/A	N/A	N/A	N/A	N/A	AE-58490-10
12	Center Panel	AE-58385-24	AE-58385-25	AE-58385-26	AE-58385-26	AE-58385-26	AE-58385-26
	Foam Gasket	68-100229-17	68-100229-17	68-100229-17	68-100229-17	68-100229-17	68-100229-17
	Block Off Plate (Condensate)	AE-58490-35	AE-58490-35	AE-58490-35	AE-58490-35	AE-58490-35	AE-58490-35
	Block-Off Plate (Refrigerant)	AE-58490-37	AE-58490-37	AE-58490-37	AE-58490-37	AE-58490-37	AE-58490-37

No.	Notes	MODEL	RBHP	RBHP	RBHP	RBHP	RBHP
		CABINET WIDTH	17	17	17	17	21
		VOLTAGE	A	J	J	J	A
		HEAT DESIGNATION	00	06	07	11	00
		CONTROL DESIGNATION	N	S	S	S	N
ELECTRICAL GROUP							
13		Sheath Heater w/Bracket	See Electric Heat Group				
14		Sequencing / Heat Relay	See Electric Heat Group				
15	Stk	Transformer	46-23115-01	46-23115-02	46-23115-02	46-23115-02	46-23115-01
16		Limit Switch	See Electric Heat Group				
17		Circuit Breaker	N/A	42-23201-01	42-23201-01	42-23201-01	N/A
		Finger Stop Voltage	N/A	45-23203-01	45-23203-01	45-23203-01	N/A
		Jumper Bar - 4 Pole	N/A	N/A	N/A	N/A	N/A
18		Watt Restrictors	N/A	N/A	47-23117-01	47-23117-01	N/A
19	Stk	Defrost Heater Control	N/A	N/A	47-23118-01	47-23118-01	N/A
		Terminal Block	45-23222-02	N/A	N/A	N/A	45-23222-02

No.	Notes	MODEL	RBHP	RBHP	RBHP	RBHP	RBHP
		CABINET WIDTH	21	21	21	21	24
		VOLTAGE	J	J	J	J	A
		HEAT DESIGNATION	06	07	11	14	00
		CONTROL DESIGNATION	S	S	S	S	N
ELECTRICAL GROUP							
13		Sheath Heater w/Bracket	See Electric Heat Group				
14		Sequencing / Heat Relay	See Electric Heat Group				
15	Stk	Transformer	46-23115-02	46-23115-02	46-23115-02	46-23115-02	46-23115-01
		Power Factor Choke	N/A	N/A	N/A	N/A	46-24256-04
16		Limit Switch	See Electric Heat Group				
17		Circuit Breaker	42-23201-01	42-23201-01	42-23201-01	42-23201-01 (2)	N/A
		Finger Stop Voltage	45-23203-01 (2)	45-23203-01 (2)	45-23203-01 (2)	N/A	N/A
		Jumper Bar - 4 Pole	N/A	N/A	N/A	45-23202-01	N/A
18		Watt Restrictors	N/A	N/A	N/A	47-23117-01	N/A
19	Stk	Defrost Heater Control	N/A	N/A	N/A	47-23118-01	N/A
		Terminal Block	N/A	N/A	N/A	N/A	45-23222-02

No.	Notes	MODEL	RBHP	RBHP	RBHP	RBHP	RBHP
		CABINET WIDTH	24	24	24	24	24
		VOLTAGE	J	J	J	J	J
		HEAT DESIGNATION	06	07	11	14	18
		CONTROL DESIGNATION	S	S	S	S	S
ELECTRICAL GROUP							
13		Sheath Heater w/Bracket	See Electric Heat Group				
14		Sequencing / Heat Relay	See Electric Heat Group				
15	Stk	Transformer	46-23115-02	46-23115-02	46-23115-02	46-23115-02	46-23115-02
16		Limit Switch	See Electric Heat Group				
17		Circuit Breaker	42-23201-01	42-23201-01	42-23201-01	42-23201-01 (2)	42-23201-01 (2)
		Finger Stop Voltage	45-23203-01 (2)	45-23203-01 (2)	45-23203-01 (2)	45-23203-01	45-23203-01
		Jumper Bar - 4 Pole	N/A	N/A	N/A	N/A	N/A
18		Watt Restrictors	N/A	N/A	N/A	47-23117-02	47-23117-02
19	Stk	Defrost Heater Control	N/A	N/A	N/A	47-23118-01	47-23118-01
		Terminal Block	N/A	N/A	N/A	N/A	N/A

No.	Notes	MODEL	RBHP	RBHP	RBHP	RBHP	RBHP
		CABINET WIDTH	25	25	25	25	25
		VOLTAGE	A	J	J	J	J
		HEAT DESIGNATION	00	11	14	18	21
		CONTROL DESIGNATION	N	S	S	S	S
ELECTRICAL GROUP							
13		Sheath Heater w/Bracket	See Electric Heat Group				
14		Sequencing / Heat Relay	See Electric Heat Group				
15	Stk	Transformer	46-23115-01	46-23115-02	46-23115-02	46-23115-02	46-23115-02
		Power Factor Choke	46-24256-04	N/A	N/A	N/A	N/A
16		Limit Switch	See Electric Heat Group				
17		Circuit Breaker	N/A	42-23201-01	42-23201-01 (2)	42-23201-01 (2)	42-23201-01 (2)
		Circuit Breaker Cover (2-2 Pole)	N/A	N/A	45-23202-10	45-23202-10	45-23202-10
		Finger Stop Voltage	N/A	45-23203-01 (2)	45-23203-01	45-23203-01	N/A
		Jumper Bar - 4 Pole	N/A	N/A	N/A	45-23202-01	45-23202-01
18		Watt Restrictors	N/A	N/A	47-23117-02	47-23117-02	47-23117-02
19	Stk	Defrost Heater Control	N/A	N/A	47-23118-01	47-23118-01	47-23118-01
		Terminal Block	45-23222-02	N/A	N/A	N/A	N/A

No.	Notes	MODEL CABINET WIDTH VOLTAGE HEAT DESIGNATION	RBHP	RBHP	RBHP	RBHP	RBHP
			17 A 00	17 J 06	17 J 07	17 J 11	21 A 00
BLOWER GROUP							
7		Blower Housing	AS-58391-01	AS-58391-23	AS-58391-03	AS-58391-04	AS-58391-05
8		Air Straightener	AE-58392-02	AE-58392-02	AE-58392-02	AE-58392-02	AE-58392-02
9	Stk	Blower Wheel	70-23111-50	70-23111-50	70-23111-50	70-23111-50	70-23111-51
		Front Coil Support (2)	AE-58348-08	AE-58348-08	AE-58348-08	AE-58348-08	AE-58348-09
		Front Coil Support	AE-58348-02	AE-58348-02	AE-58348-02	AE-58348-02	AE-58348-03
		Rear Coil Support (2)	AE-58349-02	AE-58349-02	AE-58349-02	AE-58349-02	AE-58349-03
		Rear Coil Support	AE-58349-08	AE-58349-08	AE-58349-08	AE-58349-08	AE-58349-09
		Blockoff Plate (2)	AS-59320-01	AS-59320-01	AS-59320-01	AS-59320-01	AS-59320-01
10	Stk	Blower Motor	51-102171-02	51-101879-04	51-101879-04	51-101879-04	51-102172-02
	Stk	Control Board	47-100436-02	47-100436-02	47-100436-02	47-100436-02	47-100436-02
11		Motor Mount	70-24104-01	70-24104-01	70-24104-01	70-24104-01	70-24104-01
		Plug Housing Assembly - T-Stat	45-101891-03	45-101891-03	45-101891-03	45-101891-03	45-101891-03

No.	Notes	MODEL CABINET WIDTH VOLTAGE HEAT DESIGNATION	RBHP	RBHP	RBHP	RBHP	RBHP
			21 J 06	21 J 07	21 J 11	21 J 14	24 A 00
BLOWER GROUP							
7		Blower Housing	AS-58391-24	AS-58391-07	AS-58391-08	AS-58391-09	AS-58391-10
8		Air Straightener	AE-58392-02	AE-58392-02	AE-58392-02	AE-58392-02	AE-58392-02
9	Stk	Blower Wheel	70-23111-51	70-23111-51	70-23111-51	70-23111-51	70-23111-43
		Front Coil Support (2)	AE-58348-09	AE-58348-09	AE-58348-09	AE-58348-09	AE-58348-10
		Front Coil Support	AE-58348-03	AE-58348-03	AE-58348-03	AE-58348-03	AE-58348-04
		Rear Coil Support (2)	AE-58349-03	AE-58349-03	AE-58349-03	AE-58349-03	AE-58349-04
		Rear Coil Support	AE-58349-09	AE-58349-09	AE-58349-09	AE-58349-09	AE-58349-10
		Blockoff Plate (2)	AS-59320-01	AS-59320-01	AS-59320-01	AS-59320-01	N/A
10	Stk	Blower Motor	51-101880-10	51-101880-10	51-101880-10	51-101880-10	51-102173-03
	Stk	Control Board	47-100436-02	47-100436-02	47-100436-02	47-100436-02	47-100436-02
11		Motor Mount	70-24104-01	70-24104-01	70-24104-01	70-24104-01	70-24104-01
		Plug Housing Assembly - T-Stat	45-101891-03	45-101891-03	45-101891-03	45-101891-03	45-101891-03

No.	Notes	MODEL CABINET WIDTH VOLTAGE HEAT DESIGNATION	RBHP	RBHP	RBHP	RBHP	RBHP
			24 J 06	24 J 07	24 J 11	24 J 14	24 J 18
BLOWER GROUP							
7		Blower Housing	AS-58391-25	AS-58391-12	AS-58391-13	AS-58391-14	AS-58391-15
8		Air Straightener	AE-58392-02	AE-58392-02	AE-58392-02	AE-58392-02	AE-58392-02
9	Stk	Blower Wheel	70-23111-43	70-23111-43	70-23111-43	70-23111-43	70-23111-43
		Front Coil Support (2)	AE-58348-10	AE-58348-10	AE-58348-10	AE-58348-10	AE-58348-10
		Front Coil Support	AE-58348-04	AE-58348-04	AE-58348-04	AE-58348-04	AE-58348-04
		Rear Coil Support (2)	AE-58349-04	AE-58349-04	AE-58349-04	AE-58349-04	AE-58349-04
		Rear Coil Support	AE-58349-10	AE-58349-10	AE-58349-10	AE-58349-10	AE-58349-10
10	Stk	Blower Motor	51-101920-08	51-101920-08	51-101920-08	51-101920-08	51-101920-08
	Stk	Control Board	47-100436-02	47-100436-02	47-100436-02	47-100436-02	47-100436-02
11		Motor Mount	70-24104-01	70-24104-01	70-24104-01	70-24104-01	70-24104-01
		Plug Housing Assembly - T-Stat	45-101891-03	45-101891-03	45-101891-03	45-101891-03	45-101891-03

No.	Notes	MODEL CABINET WIDTH VOLTAGE HEAT DESIGNATION	RBHP	RBHP	RBHP	RBHP	RBHP
			25 A 00	25 J 11	25 J 14	25 J 18	25 J 21
BLOWER GROUP							
7		Blower Housing	AS-58391-16	AS-58391-19	AS-58391-20	AS-58391-21	AS-58391-22
8		Air Straightener	AE-58392-02	AE-58392-02	AE-58392-02	AE-58392-02	AE-58392-02
9	Stk	Blower Wheel	70-23111-44	70-23111-44	70-23111-44	70-23111-44	70-23111-44
		Front Coil Support (2)	AE-58348-10	AE-58348-10	AE-58348-10	AE-58348-10	AE-58348-10
		Front Coil Support	AE-58348-04	AE-58348-04	AE-58348-04	AE-58348-04	AE-58348-04
		Rear Coil Support (2)	AE-58349-04	AE-58349-04	AE-58349-04	AE-58349-04	AE-58349-04
		Rear Coil Support	AE-58349-10	AE-58349-10	AE-58349-10	AE-58349-10	AE-58349-10
10	Stk	Blower Motor	51-102173-04	51-101920-19	51-101920-19	51-101920-19	51-101920-19
	Stk	Control Board	47-100436-02	47-100436-02	47-100436-02	47-100436-02	47-100436-02
11		Motor Mount	70-24104-01	70-24104-01	70-24104-01	70-24104-01	70-24104-01
		Plug Housing Assembly - T-Stat	45-101891-03	45-101891-03	45-101891-03	45-101891-03	45-101891-03

No.	Notes	MODEL CABINET WIDTH VOLTAGE HEAT DESIGNATION	RBHP	RBHP	RBHP	RBHP	RBHP
			17 A 00	17 J 06	17 J 07	17 J 11	21 A 00
ELECTRIC HEAT GROUP							
13	Stk	Sheath Heater w/Bracket	N/A	AS-58386-11 (2)	AS-58386-12 (2)	AS-58386-12 (3)	N/A
14	Stk	Sequencing / Heat Relay	N/A	42-23116-06	42-23116-09	42-23116-06	N/A
14	Stk	Sequencing / Heat Relay	N/A	N/A	N/A	42-23116-08	N/A
16	Stk	Limit Switch - Position 1 (Green)	N/A	47-23113-01	47-23113-01	47-23113-01	N/A
16	Stk	Limit Switch - Position 2 (Blue)	N/A	N/A	47-23113-02	47-23113-02	N/A
16	Stk	Limit Switch - Position 3 (Blue)	N/A	N/A	N/A	47-23113-02	N/A
16		Limit Switch - Position 4	N/A	N/A	N/A	N/A	N/A
16		Limit Switch - Position 5	N/A	N/A	N/A	N/A	N/A
16		Limit Switch - Position 6	N/A	N/A	N/A	N/A	N/A

No.	Notes	MODEL CABINET WIDTH VOLTAGE HEAT DESIGNATION	RBHP	RBHP	RBHP	RBHP	RBHP
			21 J 06	21 J 07	21 J 11	21 J 14	24 A 00
ELECTRIC HEAT GROUP							
13	Stk	Sheath Heater w/Bracket	AS-58386-11 (2)	AS-58386-12 (2)	AS-58386-12 (3)	AS-58386-12 (4)	N/A
14	Stk	Sequencing / Heat Relay	42-23116-06	42-23116-09	42-23116-06	42-23116-08	N/A
14	Stk	Sequencing / Heat Relay	N/A	N/A	42-23116-08	42-23116-09	N/A
16	Stk	Limit Switch - Position 1 (Yellow)	47-23113-03	47-23113-03	47-23113-03	47-23113-03	N/A
16	Stk	Limit Switch - Position 2 (Blue)	N/A	47-23113-02	47-23113-02	47-23113-02	N/A
16	Stk	Limit Switch - Position 3 (White)	N/A	N/A	47-23113-04	47-23113-04	N/A
16	Stk	Limit Switch - Position 4 (White)	N/A	N/A	N/A	47-23113-04	N/A
16		Limit Switch - Position 5	N/A	N/A	N/A	N/A	N/A
16		Limit Switch - Position 6	N/A	N/A	N/A	N/A	N/A

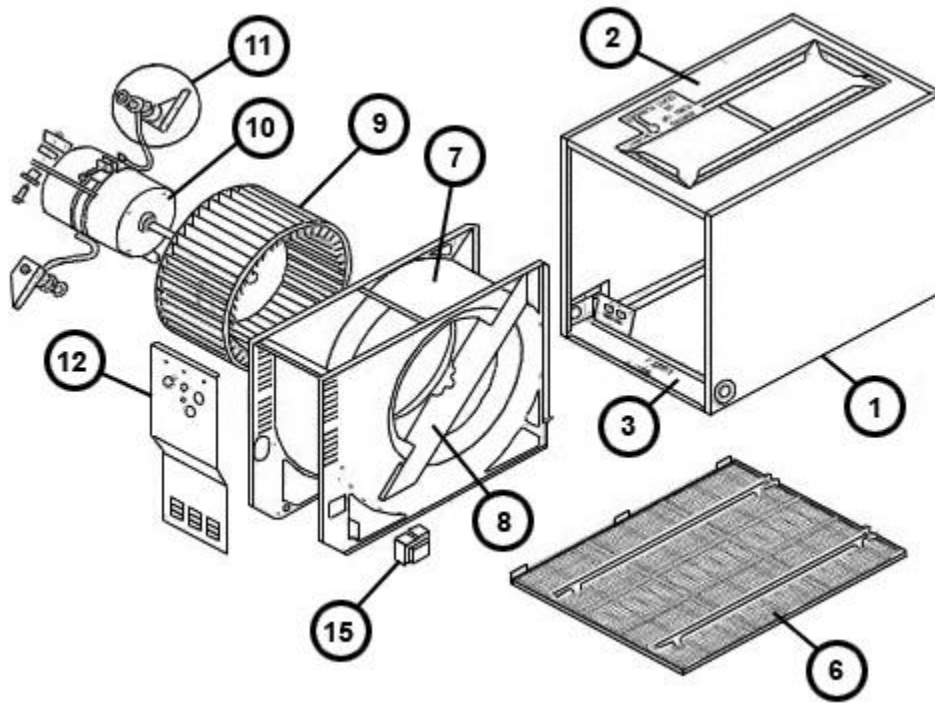
No.	Notes	MODEL CABINET WIDTH VOLTAGE HEAT DESIGNATION	RBHP	RBHP	RBHP	RBHP	RBHP
			24 J 06	24 J 07	24 J 11	24 J 14	24 J 18
ELECTRIC HEAT GROUP							
13	Stk	Sheath Heater w/Bracket	AS-58386-11 (2)	AS-58386-12 (2)	AS-58386-12 (3)	AS-58386-12 (4)	AS-58386-12 (5)
14	Stk	Sequencing / Heat Relay	N/A	42-23116-09	42-23116-06	42-23116-08	42-23116-09
14	Stk	Sequencing / Heat Relay	N/A	N/A	42-23116-08	42-23116-09	42-23116-09
16	Stk	Limit Switch - Position 1 (Green)	47-23113-01	47-23113-01	47-23113-01	47-23113-01	47-23113-01
16	Stk	Limit Switch - Position 2 (Red)	N/A	47-23113-05	47-23113-05	47-23113-05	47-23113-05
16	Stk	Limit Switch - Position 3 (Red)	N/A	N/A	47-23113-05	47-23113-05	47-23113-05
16	Stk	Limit Switch - Position 4 (White)	N/A	N/A	N/A	47-23113-04	47-23113-04
16	Stk	Limit Switch - Position 5 (White)	N/A	N/A	N/A	N/A	47-23113-04
16		Limit Switch - Position 6	N/A	N/A	N/A	N/A	N/A

No.	Notes	MODEL CABINET WIDTH VOLTAGE HEAT DESIGNATION	RBHP	RBHP	RBHP	RBHP	RBHP
			25 A 00	25 J 11	25 J 14	25 J 18	25 J 21
ELECTRIC HEAT GROUP							
13	Stk	Sheath Heater w/Bracket	N/A	AS-58386-12 (3)	AS-58386-12 (4)	AS-58386-12 (5)	AS-58386-12 (6)
14	Stk	Sequencing / Heat Relay	N/A	42-23116-06	42-23116-08	42-23116-06	42-23116-09
14	Stk	Sequencing / Heat Relay	N/A	42-23116-08	42-23116-09	42-23116-08	42-23116-09
16	Stk	Limit Switch - Position 1(Green)	N/A	47-23113-01	47-23113-01	47-23113-01	47-23113-01
16	Stk	Limit Switch - Position 2 (Blue)	N/A	47-23113-02	47-23113-02	47-23113-02	47-23113-02
16	Stk	Limit Switch - Position 3 (Red)	N/A	47-23113-05	47-23113-05	47-23113-05	47-23113-05
16	Stk	Limit Switch - Position 4 (Red)	N/A	N/A	47-23113-05	47-23113-05	47-23113-05
16	Stk	Limit Switch - Position 5 (Orange)	N/A	N/A	N/A	47-23113-06	47-23113-06
16	Stk	Limit Switch - Position 6 (Orange)	N/A	N/A	N/A	N/A	47-23113-06

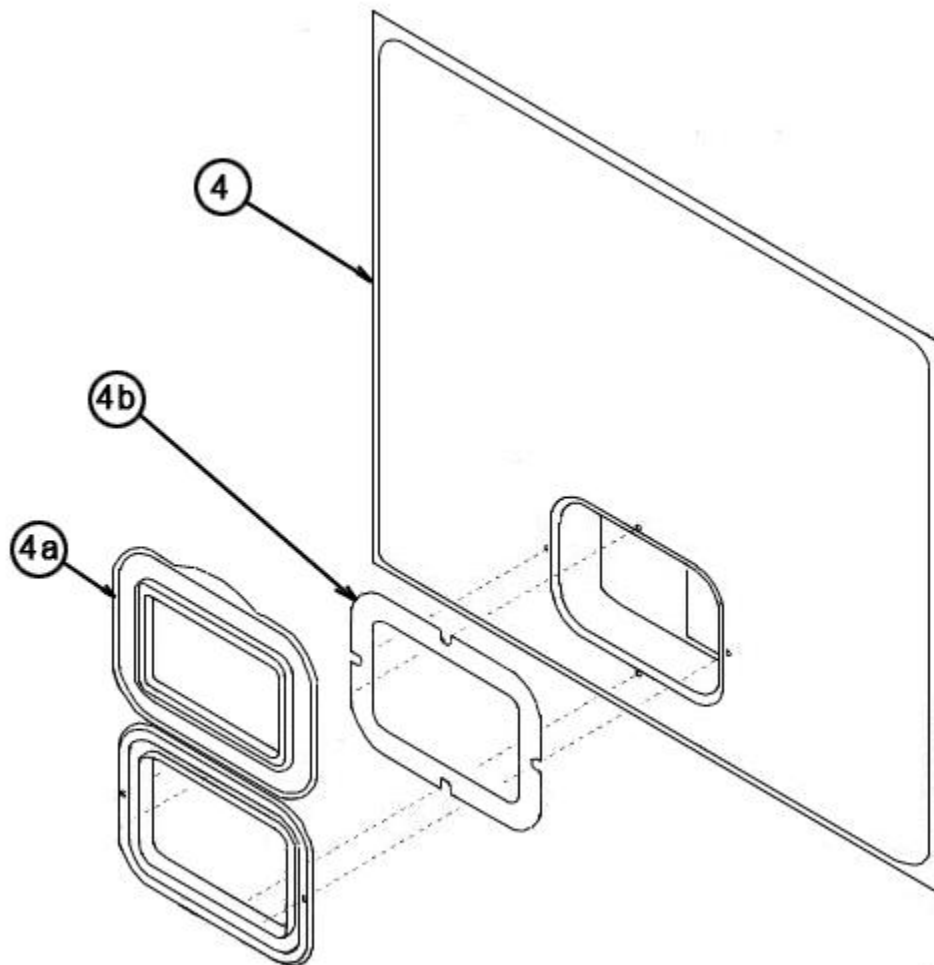
No.	Notes	MODEL CABINET WIDTH COIL DESIGNATION	RBHP 17 D	RBHP 21 D	RBHP 24 D	RBHP 25 E
COILS (R-22)						
		Coil Assembly - Air Flow Connection H	RCHJ-24A1GH17	RCHJ-36A1GH21	RCHJ-48A1GH24	RCHJ-60A1GH24
		TXV	See Coil Parts List			
		Drain Pan	See Coil Parts List			
		Coil Jacket	See Panels Group			
		Coil Door	See Panels Group			

No.	Notes	MODEL CABINET WIDTH COIL DESIGNATION	RBHP 17 1	RBHP 21 2	RBHP 24 4	RBHP 25 7
COILS (R-410A)						
		Coil Assembly - Air Flow Connection H	RCHL-24A2GH17	RCHL-36A1GH21	RCHL-48A1GH24	RCHL-60A1GH24
		TXV	See Coil Parts List			
		Drain Pan	See Coil Parts List			
		Coil Jacket	See Panels Group			
		Coil Door	See Panels Group			

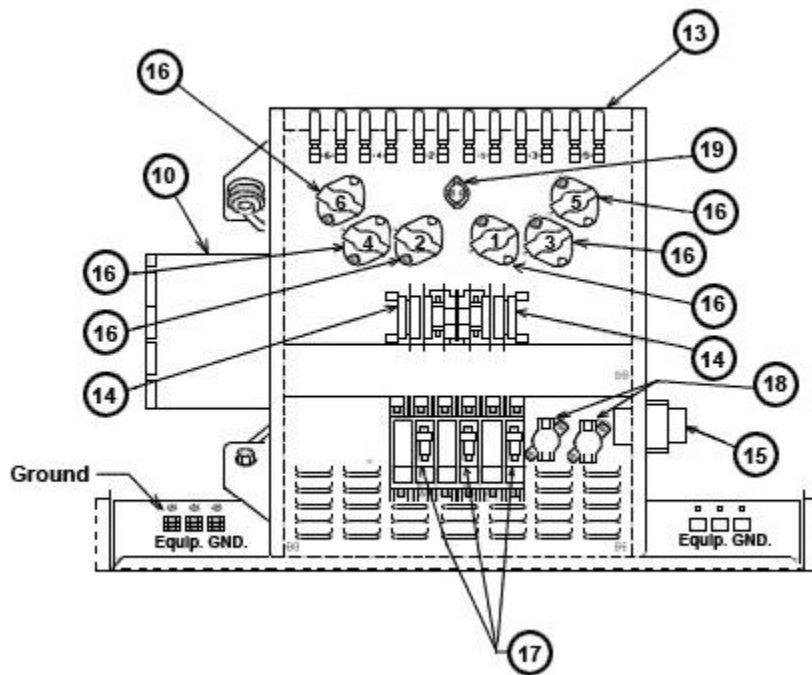
No.	Notes	MODEL CABINET WIDTH	RBHP 17	RBHP 21	RBHP 24	RBHP 25
ACCESSORIES						
		Replacement Filters	54-23217-02	54-23217-03	54-23217-04	54-23217-04
		Horizontal Drain Pan	RXBD-CB	RXBD-CB	RXBD-CB	RXBD-CB
		External Auxiliary Horizontal Drain Pan	RXBM-AA06	RXBM-AA06	RXBM-AA06	RXBM-AA06



Exploded View



Door Assembly



Electrical Assembly

NOTES

Stk It is recommended that stock be maintained for this part.
N/A Not Applicable

DISCLAIMER: This document is intended to provide general replacement parts information to aid qualified service personnel in the repair of these models. The complete Model and Serial Number of the unit under repair should be specified when selecting and ordering replacement parts. Specifications and illustrations are subject to change without notice. Document 92-42800-RBHP supersedes all previous parts lists for these models. See <http://www.rheempartslists.net/92-42800-RBHP> for the latest revision of this document. The manufacturer assumes no obligation for errors or omissions. Service personnel must verify the proper and safe operation of equipment after the replacement of any original components.