



A KOHLER COMPANY

Features

- 22 gauge stainless steel
- Satin buffed deck finish
- Compact design
- One piece construction
- Clip mounting
- Round flat rim
- 10-1/2" (26.7 cm) diameter x 4" (10.2 cm) depth for model 111-0
- 12-7/8" (32.7 cm) diameter x 4-1/2" (11.4 cm) depth for model 121-0

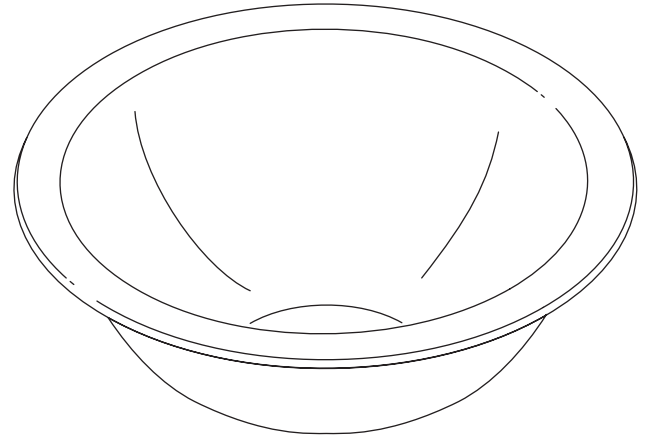
Codes/Standards Applicable

Specified model meets or exceeds the following:

- ASME A112.19.3

STAINLESS STEEL SINK

111-0
ALSO 121-0



Colors/Finishes

- NA: None applicable

Accessories:

- NA: None applicable

Specified Model

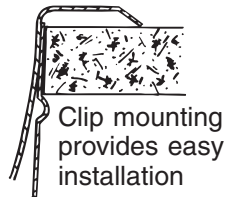
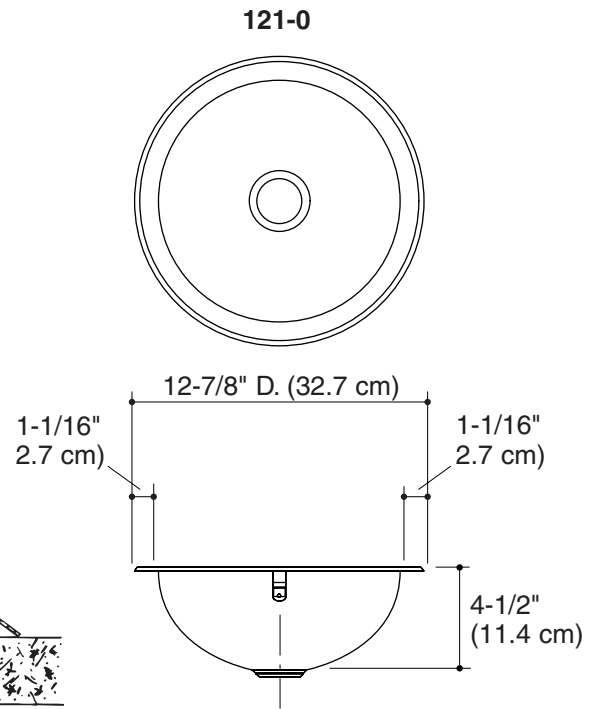
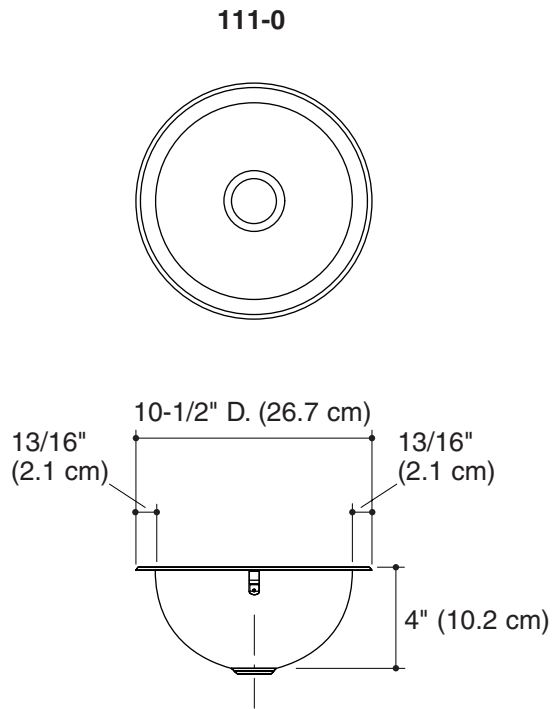
Model	Description	Faucet Holes	Quantity	Basin Depth	Colors/Finishes
111-0	Stainless steel round sink, 10-1/2" (26.7 cm) diameter	0	12	4" (10.2 cm)	<input type="checkbox"/> NA
121-0	Stainless steel round sink, 12-7/8" (32.7 cm) diameter	0	12	4-1/2" (11.4 cm)	<input type="checkbox"/> NA

SterlingPlumbing.com

Visit us online for fixture color choices, detailed product information, color photos, installation instructions, care guides, and warranties. Sterling offers additional lines of plumbing products to complement the Sterling product you've chosen. Sign up for the Sterling monthly e-newsletter which showcases our latest product innovations. You may also call our Sterling Plumbing Answer Center from within the USA at 1-888-STERLING in addition to consulting with your local dealer. Sterling. Strong. Professional. Design.

Technical Information

Fixture:*		
Model	cutout size	basin area
111-0	9-1/2" (24.1 cm) D.	8-7/8" (22.5 cm) D.
121-0	11-3/4" (29.8 cm) D.	10-3/4" (27.3 cm) D.
Drain hole	2" (5.1 cm) D.	
* Approximate measurements for comparison only.		



Product Diagram