

## 2 PC FULL PORT 150# FLANGED

### Features:

- Full Port
- 150 WSP
- Flanged Connection
- TFM Seats
- Stainless Steel Trim
- Anti Static Design
- Blow-out Proof Stem
- Investment Cast Body
- Adjustable Packing
- Locking Device
- Actuator Mounting Pad
- Manufactured Silicone Free
- Sizes 1/2" to 10"

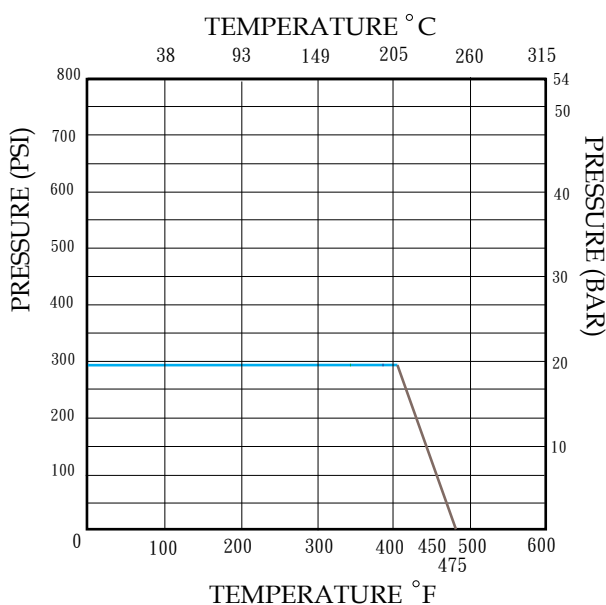
### Standards:

- Design: ASME B16.34
- Pressure Test: API 598
- Flange Dimensions: ASME B16.5
- Materials: ASME B16.34
- Mounting Pad: ISO 5211



### Figure Number Matrix

FNW 600A Size	
SIZE CODE	
1/2 = D	3 = M
3/4 = F	4 = P
1 = G	6 = U
1-1/2 = J	8 = X
2 = K	10 = 10
2-1/2 = L	



### Cv & Weight

Size	Cv	Wt (lbs)
1/2	15	4.5
3/4	61	5
1	110	7.3
1-1/2	270	15
2	500	21.2
2-1/2	800	32
3	1,310	43
4	2,120	67
6	5,070	137
8	9,250	221
10	15,170	333

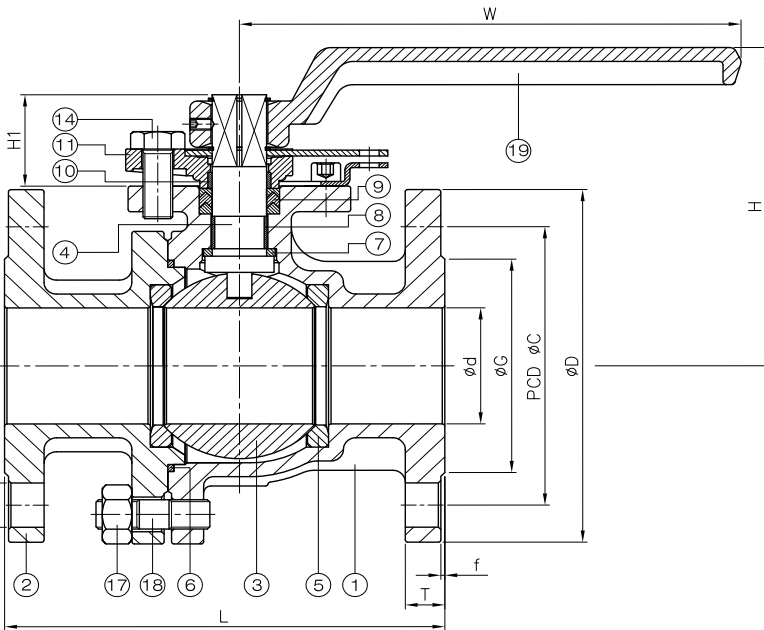
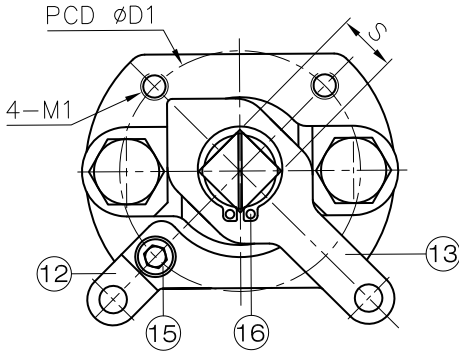
### Torque

Size	Torque (in-lbs)
1/2	53.1
3/4	79.7
1	141.6
1-1/2	221.3
2	354
2-1/2	442.6
3	531.1
4	1,017.9
6	2,389.8
8	4,425.5
10	7,080.8

### 1/2"-4"

#### Standard Materials

ITEM	PARTS	MATERIAL
1	BODY	ASTM A351-CF8M
2	CAP	
3	BALL	ASTM A351-CF8M
4	STEM	ASTM A276-316
5	BALL SEAT	TFM 1600
6	BODY SEAL	PTFE
7	THRUST WASHER 1	
8	THRUST WASHER 2	
9	PACKING	
10	BUSHING	AISI 304
11	GLAND	
12	BRACKET	
13	STOPPER	
14	BOLT	
15	BOLT	
16	SNAP RING	
17	NUT	
18	STUD	ASTM A216-WCB
19	HANDLE	



#### Dimensions

NPS	d	G	C	D	L	H	H1	W	T	f	N	M	S	D1	M1	Torque (in-lb)	Weight (lb)
1/2"	0.59	1.38	2.38	3.5	4.25	3.03	0.85	5.12	0.44	0.06	4	0.63	0.43	1.65	1/4"-20UNC	53.1	4.5
3/4"	0.79	1.69	2.76	3.88	4.61	3.15	0.85	5.12	0.44	0.06	4	0.63	0.43	1.65	1/4"-20UNC	79.7	5
1"	0.98	2.01	3.11	4.25	5	3.54	1.06	6.42	0.44	0.06	4	0.63	0.55	1.97	1/4"-20UNC	141.6	7.3
1-1/2"	1.5	2.87	3.88	5	6.5	5.08	1.5	7.99	0.56	0.06	4	0.63	0.67	2.76	5/16"-18UNC	221.3	15
2"	1.97	3.62	4.75	6	7.01	5.35	1.5	7.99	0.63	0.06	4	0.75	0.67	2.76	5/16"-18UNC	354	21.2
2-1/2"	2.48	4.13	5.5	7	7.48	6.26	1.5	7.99	0.69	0.06	4	0.75	0.67	2.76	5/16"-18UNC	442.6	32
3"	3.15	5	6	7.5	7.99	6.83	2.3	12.87	0.75	0.06	8	0.75	0.87	4.02	3/8"-16UNC	531.1	43
4"	3.86	6.18	7.5	9	9.02	7.72	2.3	12.87	0.94	0.06	8	0.75	0.87	4.02	3/8"-16UNC	1017.9	67

DOC: FNW600A05 Ver. 01/2012

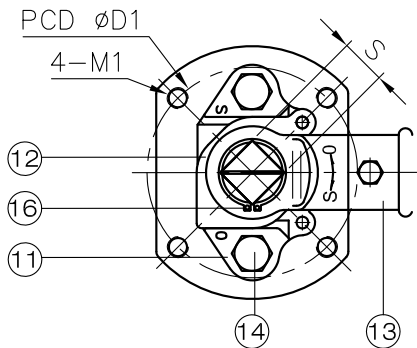
© 2012 - FNW. All rights reserved.

The FNW logo is a trademark of Ferguson Enterprises, Inc., PL Sourcing, PO Box 2778, Newport News, VA 23609

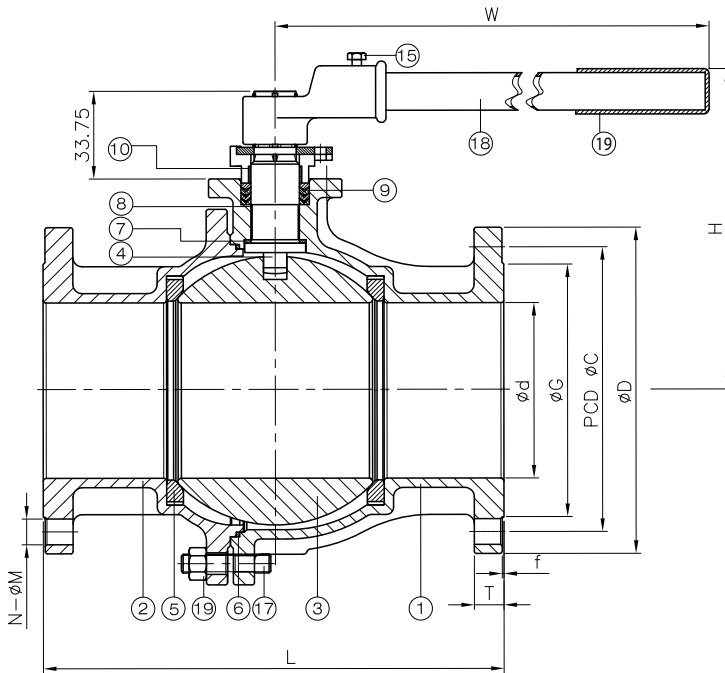
The contents of this publication are presented for information purposes only, and while effort has been made to ensure their accuracy, they are not to be construed as warranties or guarantees, expressed or implied, regarding the products or services described herein or their use or applicability. All sales are governed by our terms and conditions, which are available on request. We reserve the right to modify or improve the designs or specifications of our products at any time without notice. Always verify that you have the most recent product specifications or other documentation prior to the installation of these products.

### 6-10"

#### Standard Materials



ITEM	PARTS	MATERIAL
1	BODY	ASTM A351-CF8M
2	CAP	
3	BALL	ASTM A351-CF8M
4	STEM	ASTM A276-316
5	BALL SEAT	TFM 1600
6	BODY SEAL	PTFE
7	THRUST WASHER A	
8	THRUST WASHER B	
9	PACKING A	AISI 304
10	PACKING B	
11	GLAND	
12	STOPPER	
13	HANDLE HEAD	
14	BOLT	
15	BOLT	
16	SNAP RING	
17	BOLT	
18	STEEL TUBE	
19	NUT	PVC
19	HANDLE SLEEVE	



#### Dimensions

NPS	d	G	C	D	L	H	H1	W	T	f	N	M	S	D1	M1	Torque	Weight (lb)
6"	5.91	8.5	9.51	10.98	15.51	10.71	2.91	29.37	1	0.06	8	0.87	1.06	4.92	1/2"-13UNC	2389.8	137
8"	7.87	10.63	11.75	13.5	17.99	13.23	2.95	33.27	1.12	0.06	8	0.89	1.42	5.51	5/8"-11UNC	4425.5	221
10"	9.84	12.76	14.25	15.98	20.98	15.3	4.57	41.14	1.19	0.06	12	1	1.81	6.5	3/4"-10UNC	7080.8	333

DOC: FNW600A05 Ver. 01/2012

© 2012 - FNW. All rights reserved.

The FNW logo is a trademark of Ferguson Enterprises, Inc., PL Sourcing, PO Box 2778, Newport News, VA 23609

The contents of this publication are presented for information purposes only, and while effort has been made to ensure their accuracy, they are not to be construed as warranties or guarantees, expressed or implied, regarding the products or services described herein or their use or applicability. All sales are governed by our terms and conditions, which are available on request. We reserve the right to modify or improve the designs or specifications of our products at any time without notice. Always verify that you have the most recent product specifications or other documentation prior to the installation of these products.