

Hymax® Couplings



Nominal Diameter ND	Part No.	Overall Range	Low range Before removal the inner layer	High range After removal the inner layer	"L" Overall Length	"D" Overall Width	"I" Coupling Middle Ring	"G" Max. Gap Between Pipes	Approx. Weight
inch		inch	inch	inch	inch	inch	inch	inch	(lb)
1.5"	2000-0213-260	1.61-2.13	1.61-1.97 1.5" CTS, 1.5" PVC, 1.5" IPS	1.96-2.13 2" CTS	5.9	4	3.9	3.35	5
2"	2000-0303-260	2.10-3.03	2.10-2.60 2" CTS, 2" IPS	2.56-3.03 2.5" CTS, 2.5" IPS, 2.5" DR21	6.7	5.24	3.9	3.35	6
3"	2000-0433-260	3.46-4.33	3.46-3.90 3" PE(SCLAIR), 3" IPS	3.86-4.33 3" Pit Cast, 3" AC/100-200, 4" CTS	8.7	6.69	5.9	5.50	9
4"	2000-0563-260	4.25-5.63	4.25-5.00 4" IPS 4" Ductile, 4" Pit Cast, 4" AC/100,150	4.92-5.63 4" AC/200, 4" Clay	8.7	7.87	5.9	5.50	15
5"	2000-0638-260	5.12-6.38	5.12-5.75 4" AC/100, 150, 200RB, 5" IPS, PVC	5.71-6.38 6" OD Steel, 6" CTS	10.8	9.45	8.0	5.50	17
6"	2000-0768-260	6.42-7.68	6.42-7.05 6" IPS, 6" PE(SCLAIR), 6" Ductile	7.01-7.68 6" AC/100,150,200, 6" Clay	10.8	10.75	8.0	7.50	23
7"	2000-0874-260	7.48-8.74	7.48-8.11 6" AC/200RB, 7" IPS, 8" OD Steel	8.07-8.74 8" IPS, PVC	10.8	11.73	8.0	7.50	26
8"	2000-0984-260	8.54-9.84	8.54-9.17 8" IPS, 8" PE(SCLAIR), 8" Ductile	9.13-9.84 8" AC/100,150,200, 8" Clay	10.8	12.91	8.0	7.50	33
10"	2000-1200-260	10.70-12.00	10.70-11.37 10" IPS, 10" PE(SCLAIR), 10" Ductile	11.33-12.00 10" AC/100	10.8	15.04	8.0	7.50	33
10" o.s	2000-1226-260	10.96-12.26	10.96-11.63 10" Ductile, 10" AC/100, 150	11.59-12.26 10" AC/200, 10" Clay	10.8	15.28	8.0	7.50	39
12"	2000-1366-260	12.40-13.66	12.40-13.03 12" IPS, 12" PE(SCLAIR)	12.99-13.66 12" Ductile, 12" Pit Cast	10.8	16.61	8.0	7.50	39
12" o.s	2000-1441-260	13.15-14.41	13.15-13.78 12" Ductile	13.74-14.41 12" AC/100,150,200, 12" Clay	10.8	17.32	8.0	7.50	39

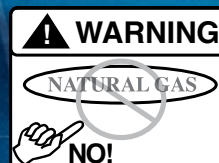
NOTE: For specific information, dimensions, or special applications on the Hymax 2000 Series, consult Total Piping Solutions, Inc.
NOTE: To extend product life in corrosive environments poly-wrapping and/or cathodic protection of the coupling is recommended.
*Hymax is a patented product developed by Krausz Industries, Ltd. The Hymax Trademark is the property of Krausz Industries Ltd.



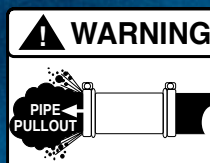
Hymax® Couplings



Max.
between



This product is not intended for use on natural gas piping, or any other type of gas piping. To do so could result in escaping gas that could ignite and cause property damage, serious injury or death.



This is a non-restraining product. If pipe pullout can occur proper anchoring of the pipe joint is required. Failure to anchor pipe could result in the escape of line content and may cause property damage, serious injury or death.

TPS Total Piping Solutions, Inc.
1760 Haskell Road, Olean, New York 14760.
Tel: 716-372-0160, Fax: 716-372-1767.
E-mail: sales@tps.us
Visit Our Website at: <http://tps.us>

Form #: 2000-09/06



Total Piping Solutions, Inc.

Hymax®-2000

Series Pipe Repair Couplings and Reducers



...The Proven Time-Savers

* For Water and Sewerage Applications, above and below ground

* Inventory Reduction

* Joins Pipe with Diameter Differences of up to 1.30 inches

* Superior Two Stage Sealing Capabilities

* Easy Fitting...two bolts total, one to tighten per end

* Lightweight...can be handled by one person

* High Deflection-8 degrees

* Stab type installation (no disassembly required)

* Standard long body to allow for more pipe end gap

* 260 PSIG Working Pressure

* Meets and Exceeds "AWWA C-219 Standards"

* NSF-61 approved



Hymax coupling



Hymax reducer



Hymax outlet



Hymax flanged outlet

The Hymax 2000 coupling line is suited to a **wide range** of pipe joining conditions, and each size will replace between three and four modular type couplings in your inventory.

Each coupling will join pipes with **diameter differences up to 1.30 inches**. Reducers (Hymax 2200 Series) can handle pipe diameter differences of up to 2 inches in nominal diameter. In addition, the Hymax 2000 coupling can handle **pipe end gaps up to 7.5 inches**, and will accommodate **angular deflection of up to 8 degrees**.

The Hymax 2000 offers an efficient range adjustable pressure assisted **Hydraulic Sealing system**, and **NSF 61 Registered EPDM Compounded gaskets**. Temperature range is -20°F to 220°F.

The Hymax 2000 is a **stab type** coupling requiring **no disassembly**. The installer simply adjusts the gasket, and tightens **one bolt on each end** of the coupling to the required torque. All work is performed from the topside of the coupling, eliminating the need for extra excavation and under-dig for the wrench.

The Hymax 2000 can be easily handled by one person due to the durable nature of its superior **lightweight** materials of construction. The coupling is equipped with a corrosion resistant coating of **fusion-bonded epoxy**, and comes with **stainless steel spanner, nuts and bolts**.

Hymax 2000 Series Specification

Materials:

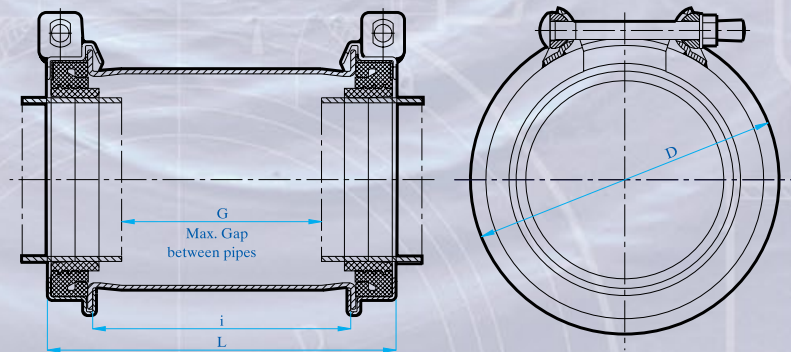
Carbon Steel with NSF-61 Registered Fusion-bonded Epoxy Coating Approx. 14 mils

Bolts and Nuts:

(ANSI 304/303) Stainless Steel with No-Gall Zinc Cobalt Coating.

Pressure Assisted Gasket:

NSF 61 Registered EPDM gasket. Compound approved for contact with drinking water and sewerage. The gasket is made in two layers, with a removable inner layer that allows for pipe diameter range expansion.



Longer Body Lengths and Reducers Available

The 2-layered gasket provides a built-in wide range.

1. The low range is provided by the 2-layered gasket.
2. Removing the inner layer enables the high range.

Each side self-seals

