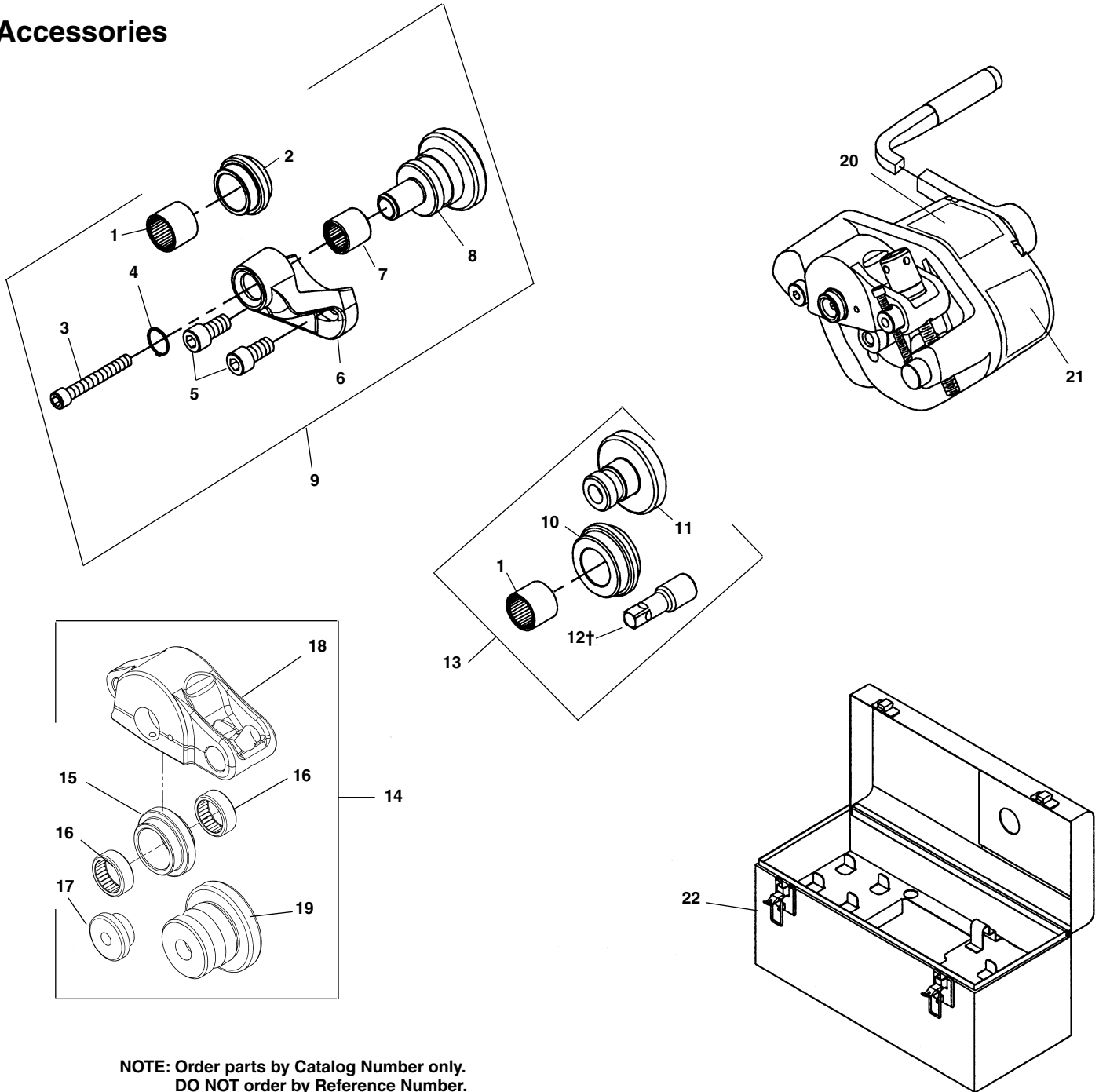


**Accessories**



**NOTE: Order parts by Catalog Number only.  
DO NOT order by Reference Number.**

Ref. No.	Catalog No.	Description	Ref. No.	Catalog No.	Description
1	45172	Bearing	14	92452	2" - 8" Copper 915 Groove Roll Set
2	93887	Groove Roll 4" - 6" Sch. 40	15	93892	Copper Groove Roll 2" - 8"
	93862	Groove Roll 8" - 12" Sch. 10	16	10368	Bearing Needle Roller (2)
3	93847	Screw 3/8" - 16 x 2 3/4"	17	10373	Copper Stabilizer
4	93852	External Retaining Ring	18	10378	Copper Reaction Arm
5	93857	Screw, 1/2" - 12 x 1" (2)	19	93897	Copper Drive Roll 2" - 8"
6	93872	Support, Drive Roll	20	93822	Operating Instructions Decal
7	93877	Bearing, Needle Roller	21	93827	Warning Decal
8	93902	Drive Roll 4" - 6" Sch. 40	22	93497	915 Tool Box
	93882	Drive Roll 8" - 12" Sch. 10			
9	92447	4" - 6" Sch. 40 Groove Roll Set	* Note Items Not Shown		
	92442	8" - 12" Sch. 10 Groove Roll Set	*	49087	1/8" T-Handle Hex Key
10	93837	Groove Roll 1 1/4" - 1 1/2"	*	46045	5/16" Hex Key
11	93832	Drive Roll 1 1/4" - 1 1/2"	*	46030	3/16" Hex Key
12†	93842	Extension, 1/2" Drive (for 1 1/4" - 1 1/2" Roll Set)	*	46190	1/4" Hex Key
13	92437	1 1/4" - 1 1/2" Groove Roll Set	*	30708	2 1/2" Extension

† Used on 1 1/4" - 1 1/2" grooving for clearance of the ratchet head to the reaction arm.