

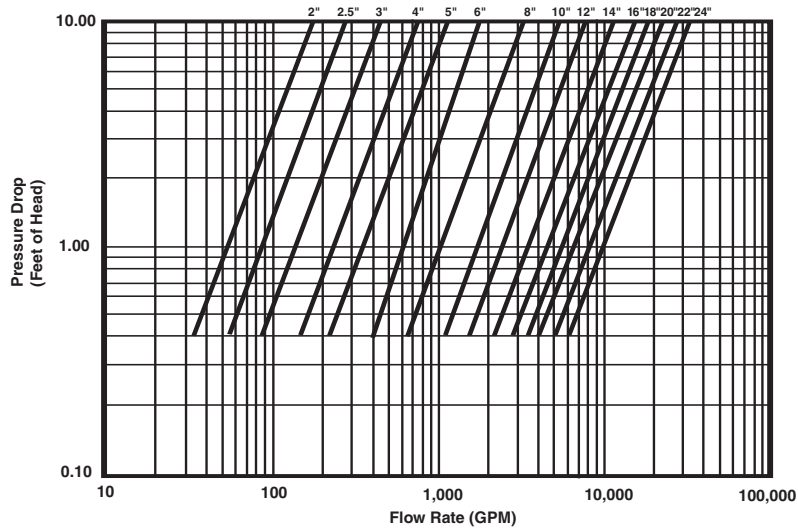


Air Elimination Equipment Air Separator Flow/Pressure Drop Charts

125 PSIG Working Pressure

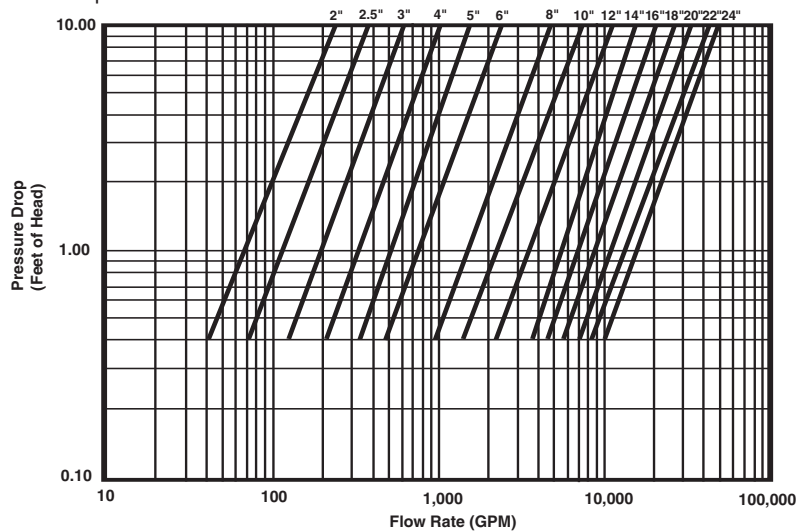
1" – 24" Air Separators With Strainer Flow Chart

Indicates pressure drop in feet of water versus flow in gallons per minute with strainer. This is an improved method for properly computing pressure drop in AMTROL Air Separators.



1" – 24" Air Separators Without Strainer Flow Chart

Indicates pressure drop in feet of water versus flow in gallons per minute with strainer. This is an improved method for properly computing pressure drop in AMTROL Air Separators.



Job Name _____

Contractor _____

Location _____

Contractor P.O. No. _____

Sales Representative _____

Model No. Ordered _____

Engineer _____

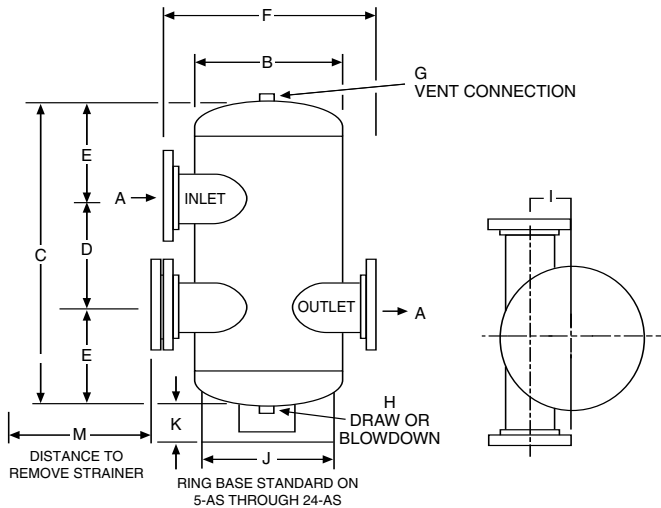
ASME CERTIFICATION REQUIRED YES NO



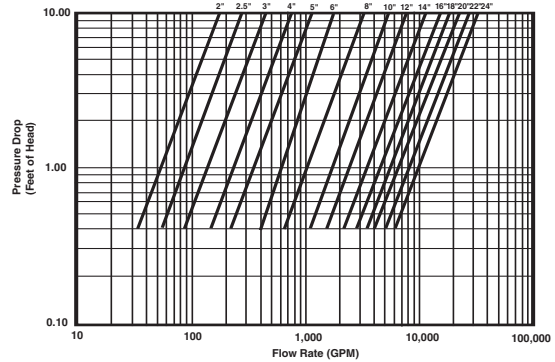
Air Elimination Equipment

2" – 24" Air Separators With Strainer

125 PSIG Working Pressure



AMTROL Air Separator Flow Chart (see pg 18)



Indicates pressure drop in feet of water versus flow in gallons per minute with strainer. This is an improved method for properly computing pressure drop in AMTROL Air Separators.

Specifications/Dimensions

All dimensions and weights are approximate.

Model No.	Dimensions in Inches												Strainer Screen Free Area Sq.ins.	Ship Wt. lbs.
	A	B	C	D	E	F	G	H	I	J	K	M		
2-AS	2	10	23	8	7½	16¼	¾	¾	3	-	-	14	33	70
2½-AS	2½	10	23	8	7½	16¼	¾	¾	3	-	-	14	40	70
3-AS	3	10	23	8	7½	17	¾	¾	3	-	-	14	45	75
4-AS	4	12	24¾	10	7¼	20¾	¾	¾	3½	-	-	16½	78	80
5-AS	5	16	34½	12	11¼	24	¾	¾	4¼	12¾	4⅝	21½	120	180
6-AS	6	18	41	14	13½	26	¾	¾	4¼	14	4⅝	23	186	250
8-AS	8	24	52	18	17	32	¾	¾	5¾	16	4⅝	29	313	455
10-AS	10	30	59½	22	18¾	40	¾	¾	7¾	24	4⅝	35	491	770
12-AS	12	36	70	26	22	46	¾	¾	7¾	30	12⅝	40	644	1150
14-AS	14	42	74	30	22	52	¾	¾	13	30	13⅜	48	810	2200
16-AS	16	48	90	32	29	64	3	3	15	42	12½	56	969	4300
18-AS	18	54	102	36	33¼	64	3	3	16	42	12⅜	62	1517	4900
20-AS	20	60	102	30	36	70	3	3	19	45	6⅟16	68	1860	5600
22-AS	22	60	119	48	35⅜	70	3	3	18	45	7	68	2073	6300
24-AS	24	72	132	43	44⅝	82	3	3	22	45	8	80	2712	8000

Also available with 150 PSIG (10.5 bar).

Maximum Operating Conditions

Working temperature	350° F (176.7° C)
Working pressure	125 PSIG (8.8 bar)

Designed and Constructed per ASME Section VIII, Division 1.

Materials of Construction

Body	Steel
Flanges	Steel - ANSI 150#
Strainer	304 Stainless Steel

Job Name _____

Contractor _____

Location _____

Contractor P.O. No. _____

Sales Representative _____

Model No. Ordered _____

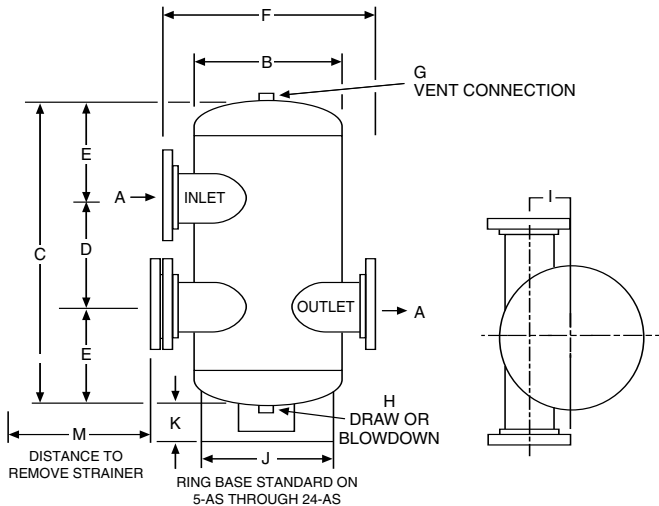
Engineer _____



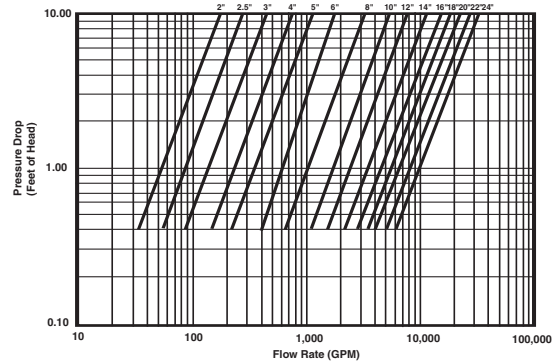
Air Elimination Equipment

2" – 24" Air Separators With Strainer

150 PSIG Working Pressure



AMTROL Air Separator Flow Chart (see pg 18)



Indicates pressure drop in feet of water versus flow in gallons per minute with strainer. This is an improved method for properly computing pressure drop in AMTROL Air Separators.

Specifications/Dimensions

All dimensions and weights are approximate.

Model No.	Dimensions in Inches												Strainer Screen Free Area Sq.ins.	Ship Wt. lbs.
	A	B	C	D	E	F	G	H	I	J	K	M		
2-AS	2	10	23	8	7½	16¼	¾	¾	3	-	-	14	33	70
2½-AS	2½	10	23	8	7½	16¼	¾	¾	3	-	-	14	40	70
3-AS	3	10	23	8	7½	17	¾	¾	3	-	-	14	45	75
4-AS	4	12	24¾	10	7¼	20¾	¾	¾	3½	-	-	16½	78	80
5-AS	5	16	34½	12	11¼	24	¾	¾	4¼	12¾	4⅝	21½	120	180
6-AS	6	18	41	14	13½	26	¾	¾	4¼	14	4⅝	23	186	250
8-AS	8	24	52	18	17	32	¾	¾	5¾	16	4⅝	29	313	455
10-AS	10	30	59½	22	18¾	40	¾	¾	7¾	24	4⅝	35	491	770
* 12-AS	12	36	70	26	22	46	¾	¾	7¾	30	12⅝	40	644	1150
* 14-AS	14	42	74	30	22	52	¾	¾	13	30	13⅝	48	810	2200
* 16-AS	16	48	90	32	29	64	3	3	15	42	12½	56	969	4300
* 18-AS	18	54	102	36	33¼	64	3	3	16	42	12⅝	62	1517	4900
* 20-AS	20	60	102	30	36	70	3	3	19	45	6⅟₁₆	68	1860	5600
* 22-AS	22	60	119	48	35⅝	70	3	3	18	45	7	68	2073	6300
* 24-AS	24	72	132	43	44⅝	82	3	3	22	45	8	80	2712	8000

* Special Order

Maximum Operating Conditions

Working temperature	350° F (176.7° C)
Working pressure	150 PSIG (10.5 bar)

Also available with 125 PSIG (8.8 bar).
Constructed per ASME Code Section VIII, Division 1.

Materials of Construction

Body	Steel
Flanges	Steel - ANSI 150#
Strainer	304 Stainless Steel

Job Name _____

Contractor _____

Location _____

Contractor P.O. No. _____

Sales Representative _____

Model No. Ordered _____

Engineer _____

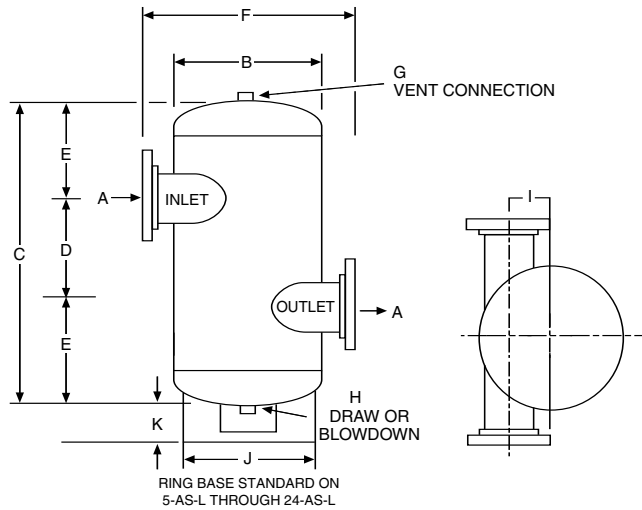
ASME CERTIFICATION REQUIRED YES NO



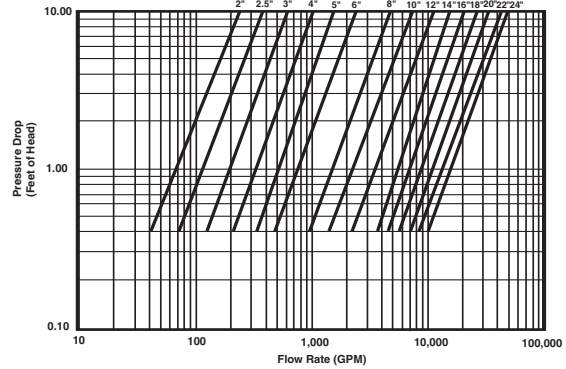
Air Elimination Equipment

1" – 24" Air Separators Without Strainer

125 PSIG Working Pressure



AMTROL Air Separator Flow Chart (see pg 18)



Indicates pressure drop in feet of water versus flow in gallons per minute with strainer. This is an improved method for properly computing pressure drop in AMTROL Air Separators.

Specifications/Dimensions

All dimensions and weights are approximate.

Model No.	Dimensions in Inches											Ship Wt. lbs.
	A	B	C	D	E	F	G	H	I	J	K	
1-AS-L	1	4½	12	4	4	7	¾	¾	1⅝	-	-	15
2-AS-L	2	10	23	8	7½	16¼	¾	¾	3	-	-	65
2½-AS-L	2½	10	23	8	7½	16¼	¾	¾	3	-	-	65
3-AS-L	3	10	23	8	7½	17	¾	¾	3	-	-	70
4-AS-L	4	12	24¾	10	7¼	20¾	¾	¾	3½	-	-	75
5-AS-L	5	16	34½	12	11¼	24	¾	¾	4¼	12¾	4⅝	145
6-AS-L	6	18	41	14	13½	26	¾	¾	4¼	14	4⅝	200
8-AS-L	8	24	52	18	17	32	¾	¾	5¾	16	4⅝	375
10-AS-L	10	30	59½	22	18¾	40	¾	¾	7¾	24	4⅝	650
12-AS-L	12	36	70	26	22	46	¾	¾	7¾	30	12⅝	960
14-AS-L	14	42	74	30	22	52	¾	¾	13	30	13⅝	1950
16-AS-L	16	48	90	32	29	64	3	3	15	42	12½	3800
18-AS-L	18	54	102	36	33¼	64	3	3	16	42	12⅝	4300
20-AS-L	20	60	102	30	36	70	3	3	19	45	6⅝	4800
22-AS-L	22	60	119	48	35⅝	70	3	3	18	45	7	5300
24-AS-L	24	72	132	43	44⅝	82	3	3	22	45	8	6900

Maximum Operating Conditions

Working temperature	350° F (176.7° C)
Working pressure	125 PSIG (8.8 bar)

Also available with 150 PSIG (10.5 bar).

Materials of Construction

Body	Steel
Flanges	Steel - ANSI 150#

Designed and Constructed per ASME Section VIII, Division 1.

Job Name _____

Location _____

Engineer _____

Contractor _____

Contractor P.O. No. _____

Sales Representative _____

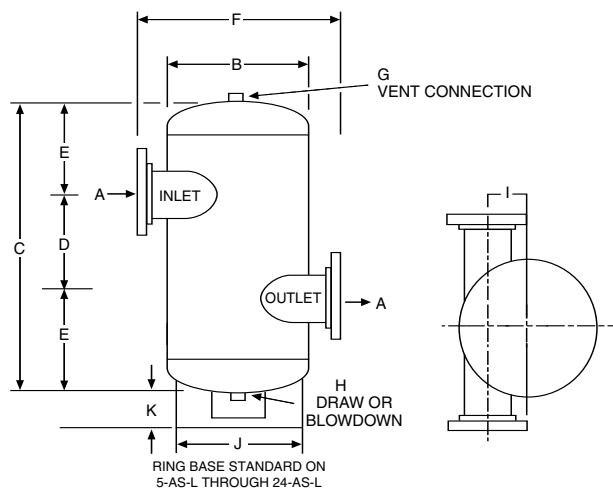
Model No. Ordered _____



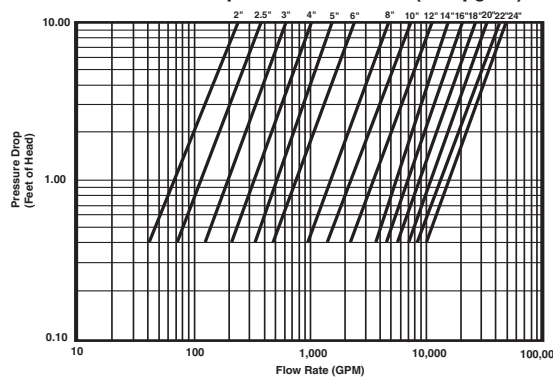
Air Elimination Equipment

1" – 24" Air Separators Without Strainer

150 PSIG Working Pressure



AMTROL Air Separator Flow Chart (see pg 18)



Indicates pressure drop in feet of water versus flow in gallons per minute with strainer. This is an improved method for properly computing pressure drop in AMTROL Air Separators.

Specifications/Dimensions

All dimensions and weights are approximate.

Model No.	Dimensions in Inches											Ship Wt. lbs.
	A	B	C	D	E	F	G	H	I	J	K	
* 1-AS-L	1	4½	12	4	4	7	¾	¾	1⅝	-	-	15
2-AS-L	2	10	23	8	7½	16¼	¾	¾	3	-	-	65
2½-AS-L	2½	10	23	8	7½	16¼	¾	¾	3	-	-	65
3-AS-L	3	10	23	8	7½	17	¾	¾	3	-	-	70
4-AS-L	4	12	24¾	10	7¼	20¾	¾	¾	3½	-	-	75
5-AS-L	5	16	34½	12	11¼	24	¾	¾	4¼	12¾	4⅝	145
6-AS-L	6	18	41	14	13½	26	¾	¾	4¼	14	4⅝	200
8-AS-L	8	24	52	18	17	32	¾	¾	5¾	16	4⅝	375
10-AS-L	10	30	59½	22	18¾	40	¾	¾	7¾	24	4⅝	650
12-AS-L	12	36	70	26	22	46	¾	¾	7¾	30	12⅝	960
* 14-AS-L	14	42	74	30	22	52	¾	¾	13	30	13¾	1950
* 16-AS-L	16	48	90	32	29	64	3	3	15	42	12½	3800
* 18-AS-L	18	54	102	36	33¼	64	3	3	16	42	12¾	4300
* 20-AS-L	20	60	102	30	36	70	3	3	19	45	6⅝	4800
* 22-AS-L	22	60	119	48	35¾	70	3	3	18	45	7	5300
* 24-AS-L	24	72	132	43	44⅝	82	3	3	22	45	8	6900

* Special Order

Maximum Operating Conditions

Working temperature	167.7° F (350° C)
Working pressure	150 PSIG (10.5 bar)

Also available with 125 PSIG (8.8 bar).

Materials of Construction

Body	Steel
Flanges	Steel - ANSI 150#

Constructed per ASME Code Section VIII, Division 1.

Job Name _____

Contractor _____

Location _____

Contractor P.O. No. _____

Sales Representative _____

Model No. Ordered _____

Engineer _____

ASME CERTIFICATION REQUIRED YES NO