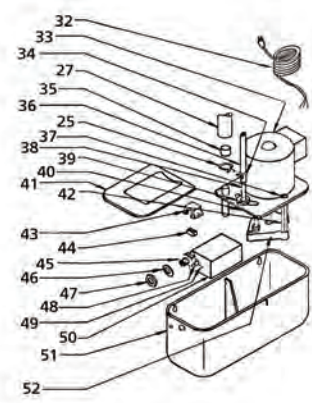
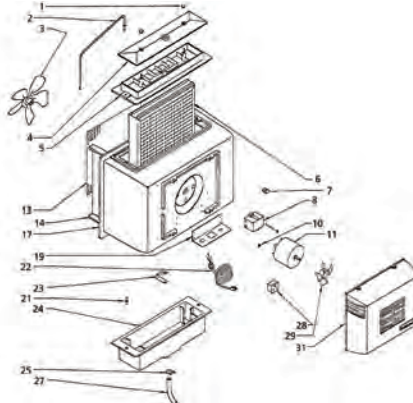
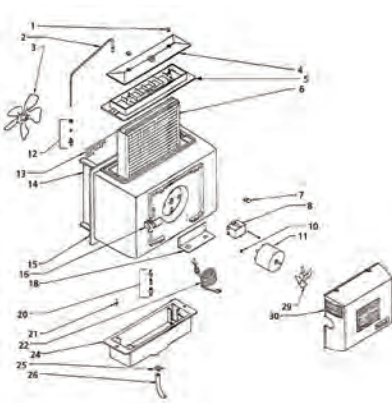


## Legacy Models 1137, 1137R



Humidifier Replacement Parts

Item	Qty. Req'd	GFI Number	Part Description	List / Retail Price Each	Item	Qty. Req'd	GFI Number	Part Description	List / Retail Price Each
1	6	7043	1099 - 9 Thumb Nut	\$2.10	33	1	7354	1137 - 32 Power Supply Cord	*NLA
2	1	7330	1137 - 24 Distributor Tube	\$15.57	34	2	6034	P115 Hose Clamp (for 975 - 34)	*NLA
3	1	7331	1137 - 9 Fan Blade	\$18.20	35	1	7055	1099 - 43 Drain Tube Adapter	*NLA
4	1	7332	1137 - 35 Trough Cover Assembly	\$13.13	36	1	6019	975 - 34 Water Supply Tubing (4' of 5/16" I.D. R Model Only)	\$3.84
5	1	7333	1137 - 4 Distributor Trough	\$29.40	37	3	6033	P120 Motor Mount Grommet	*NLA
6	1	7002	990 - 13 Evaporator Pad 9 3/4" W x 11 3/4" H	\$20.97	38	1	6014	975 - 29 Standpipe	*NLA
7	8	7140	40 - 7 Speed Nut	\$0.69	39	1	6035	P116 Standpipe Nut	*NLA
8	1	7586	GA4238 Relay Circuit Board	\$67.58	40	1	6010	975 - 16 R.H. Lid Assembly	*NLA
10	4	7336	1137 - 44 Fan Motor Grommet	\$0.95	41	1	7355	1137 - 40 L.H. Lid Assembly	*NLA
11	1	7337	1137 - 8 Fan Motor	\$117.13	42	3	6017	975 - 41 Pump Mounting Stud	*NLA
12	1	7158	P103, 104, 111 Connector & Fittings	\$2.63	43	1	6007	975 - 10 Float Valve Assembly	\$25.41
13	1	7338	1137 - 20 Fan Guard	\$11.90	44	1	6005	975 - 6 Valve Sheild	\$1.04
14	1	7339	1137 - 2 Fan Shroud	\$35.18	45	1	6004	975 - 1 Valve Seat	\$0.53
15	1	7340	1137 - 38 Cabinet Assembly, 1137	\$96.60	46	1	7122	727 - 24 Orifice Fitting	\$6.83
16	1	7341	1137 - 17 Solenoid Valve 120V for Model 1137 July 2006 and Older.*	\$101.24	47	1	6036	P117 Orifice Washer	\$0.42
16	1	7014	990 - 53 Solenoid Valve 24V	\$80.23	48	1	6001	975 - 3 Orifice Nut	\$0.79
17	1	7342	1137 - 37 Cabinet Assembly, 1137 - R	*NLA	49	1	6026	P118 Cotter Pin	\$1.00
18	1	7343	1137 - 7 Wiring Bracket	\$7.35	49	1	7121	727 - 34 Float Arm	\$5.25
19	1	7344	1137 - 7R Wiring Bracket	*NLA	50	1	7119	727 - 32 Float Block	\$8.93
20	1	7008	990 - 37 - 76 Orifice and Strainer Assembly (Std. Water Pressure 40 - 120 PSI)	\$6.77	51	1	6008	975 - 48 Reservoir and Baffle Assembly	*NLA
20	1	7009	990 - 37 - 75 Orifice and Strainer Assembly (Low Water Pressure 20 - 40 PSI)	\$6.77		1	6020	975 - 12 Reservoir Baffle	*NLA
21	4	7345	1137 - 15 Mounting Stud	\$0.86	52	1	6011	975 - 17 Pump Housing - Bottom	*NLA
22	1	7346	1137 - 31 Power Supply Cord	\$15.75		1	6012	975 - 18 Pump Housing - Top	*NLA
23	1	6016	975 - 35 Distributor Tube Bracket	\$1.74		1	6013	975 - 49 Impeller & Screw	*NLA
24	1	7347	1137 - 3 Drain Pan	\$31.50	<b>Parts Not Shown</b>				
25	1	7162	P163 Hose Clamp	\$0.79		1	8022	800 - UST Self - Tapping Saddle Valve Kit	\$11.55
26	1	7046	1099 - 16 Drain Tube (15' of 5/8" I.D.)	\$21.00		1	7037	MHX3 Manual Control, Duct Mount Humidistat	\$42.00
27	1	7348	1137 - 48 Drain Tube (2 - 1/2' of 5/8" I.D.)	\$4.73		1	7053	WMH3 Wall Mount Housing	\$20.97
28	1	7349	1137 - 18 Outlet Assembly	\$7.35		1	7328	1137 - 23 Parts Bag	\$29.40
29	1	7350	1137 - 50 Cooling Fan	\$9.92		1	7127	727 - 48 Lead Wire Assembly (10' of Low Voltage Wire w/ Terminals)	\$9.26
30	1	7351	1137 - 39 Front Cover Assembly, 1137	\$36.23		1	8035	8035 Humidex Tablets	\$12.60
31	1	7352	1137 - 43 Front Cover Assembly, 1137 - R	*NLA					
	1	7327	1137 - 75 Pump, Motor & Lid Assembly	*NLA					
32	1	7353	1137 - 21 Pump Motor Assembly	*NLA					

\*In August 2006 1137's began using the more common 990 - 53, 24 - volt solenoid valve. Check side nameplate for build date or solenoid valve for voltage.

\*NLA = No Longer Available

2% 10th Prox. Net 30 Days. F.O.B. Novi, Michigan \$5,000 Orders FFA