

TAPMATE™

3" TO 12" RANGE OF CUTS



Transmate

a Division of Romac Industries, Inc.

MATERIAL SPECIFICATIONS

- **LATERAL TAPS** - For 3" - 12" lateral taps.
- **LIGHTWEIGHT** - Weighs 65 lbs., allowing easy handling and operation
- **EASY-TO-USE** - No hidden gears or mechanisms. Simple control and the depth scale is always visible.
- **PIPE COMPATIBILITY** - Taps any pipe commonly used in underground water mains
- **EASY TO MAINTAIN** - Simple construction allows in-house maintenance and repair
- **FLEXIBLE** - Use with hydraulic, electric or air drive units.



TO ORDER:

1. Order Base Machine
2. Order Cutters per size
3. Order Adapters per size and outlet type
4. Order Extra Spade Bit (350-03-08) if doing A/C taps
5. If doing 10" and 12" taps, you must order Pilot Drill Extension (350-14)
6. Select Power Unit (below)

ITEM NUMBER	DESCRIPTION	LIST PRICE
350-00	TAPMATE™ BASE MACHINE & STORAGE BOX For lateral tapping	\$11,299.54

INCLUDED WITH TAPMATE MACHINE:		
350-21-A	1" Shaft Nose	included
350-03-08	1" Spade Bit	"
350-04	PVC Pilot (required for any plastic pipe taps)	"
350-61	Storage Box	"
353-10-1	Tapping Compound	"

360-00	QUIKVALVE™ BASE MACHINE	
	For lateral tapping, QuikValve™ & InsertaValve™ installations	See pg. QV-5 for pricing
	For QuikValve see QV-2 & InsertaValve see QV-7	

POWER OPTIONS		
370-000	Electric Drive	pg. TM-28
371-00	Air Drive	pg. TM-29
372-00	Hydraulic Drive*	pg. TM-26

Contact Romac Industries for other power options

ADAPTER BELLS		
350-05-1024	3" MJ Adapter Bell	\$ 509.25
350-05-1032	4" MJ Adapter Bell	579.94
350-05-1048	6" MJ Adapter Bell	667.67
350-05-1064	8" MJ Adapter Bell	786.36
350-05-1080	10" MJ Adapter Bell	1,028.69
350-05-1096	12" MJ Adapter Bell	1,157.79
350-05-2024	3" 125# Flange Adapter Bell	488.41
350-05-2032	4" 125# Flange Adapter Bell	579.94
350-05-2048	6" 125# Flange Adapter Bell	684.52
350-05-2064	8" 125# Flange Adapter Bell	786.99
350-05-2080	10" 125# Flange Adapter Bell	1,414.18
350-05-2096	12" 125# Flange Adapter Bell	1,542.94

Adapter Bells for both metric and push-on style pipe connections are also available
Special Adapter Bells can be made upon request .

¹ 10" and 12" Cutters require the Pilot Drill Extension
² HDPE Pilot needed (350-04H) if tapping HDPE pipe only
 * Considered hazardous material if shipped by air.

ITEM NUMBER	DESCRIPTION	ACTUAL SIZE	LIST PRICE
SHELL CUTTERS			
For Ductile, Cast Iron, Steel, A/C & PVC			

350-01-1024	3" Carbide Cutter	2 1/2"	\$545.99
350-01-1032	4" Carbide Cutter	3 1/2"	709.88
350-01-1048	6" Carbide Cutter	5 1/2"	1,052.20
350-01-1064	8" Carbide Cutter	7 1/2"	1,391.71
350-01-1080 ¹	10" Carbide Cutter	9 1/2"	3,107.61
350-01-1096 ¹	12" Carbide Cutter	11 1/2"	3,675.67

For HDPE & PVC			
350-01-2024 ²	3" Cutter for HDPE & PVC Pipe	2 1/2"	544.46
350-01-2028 ²	Cutter for HDPE & PVC Pipe	3"	708.22
350-01-2032 ²	4" Cutter for HDPE & PVC Pipe	3 1/2"	708.22
350-01-2040 ²	Cutter for HDPE & PVC Pipe	5"	1,049.64
350-01-2048 ²	6" Cutter for HDPE & PVC Pipe	5 1/2"	1,049.64
350-01-2056 ²	Cutter for HDPE & PVC Pipe	7"	1,385.67
350-01-2064 ²	8" Cutter for HDPE & PVC Pipe	7 1/2"	1,385.67
350-01-2072 ²	Cutter for HDPE & PVC Pipe	9"	3,099.86
350-01-2080 ^{1,2}	10" Cutter for HDPE & PVC Pipe	9 1/2"	3,099.86
350-01-2088 ²	Cutter for HDPE & PVC Pipe	11"	3,668.00
350-01-2096 ^{1,2}	12" Cutter for HDPE & PVC Pipe	11 1/2"	3,668.00

For Steel			
350-01-5024	3" Cutter for Steel	2 1/2"	545.88
350-01-5032	4" Cutter for Steel	3 1/2"	709.88
350-01-5048	6" Cutter for Steel	5 1/2"	1,052.20
350-01-5064	8" Cutter for Steel	7 1/2"	1,391.71
350-01-5080 ¹	10" Cutter for Steel	9 1/2"	3,107.61
350-01-5096 ¹	12" Cutter for Steel	11 1/2"	3,677.31

NOTE: Shell Cutters can be resharpened, and retooled

ACCESSORIES			
350-03-08	1" Spade Bit		\$ 102.85
350-21-A	Shaft Nose (includes 1" Spade Bit)		385.72
350-14 ¹	Pilot Drill Extension (required for 10" & 12" taps)		153.84
350-04 ²	PVC Pilot		194.21
350-04H	HDPE Pilot		390.57
350-05-571	Adapter Bell O-Ring		17.56
350-05-512	Adapter Set Screw		7.09

Please call Romac for recommendations on ordering and using HDPE Holesaws

TRANSMATE

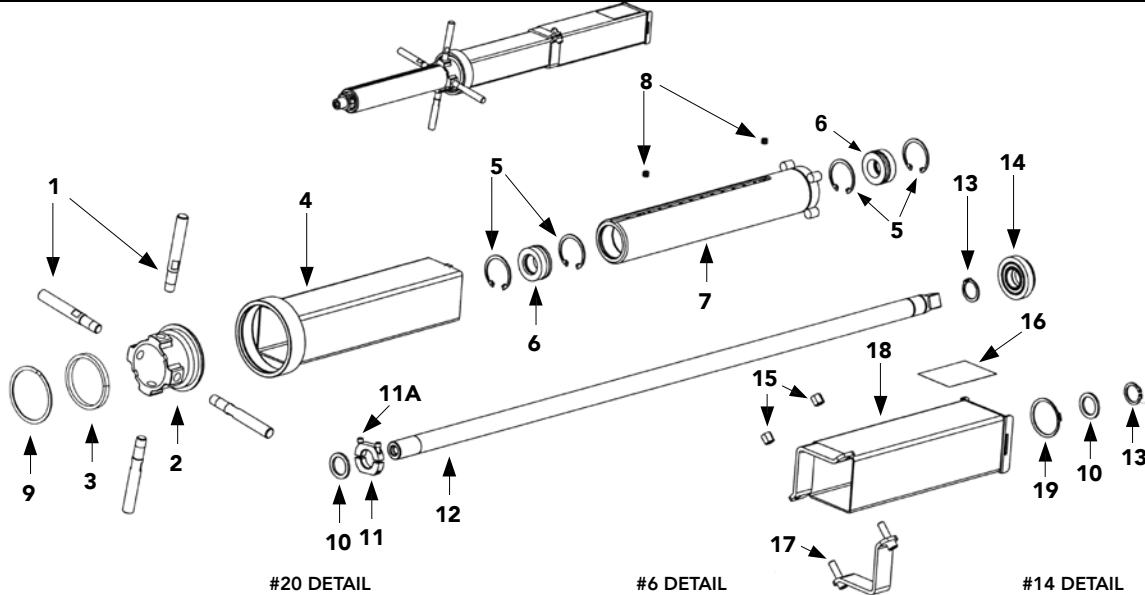


Transmate

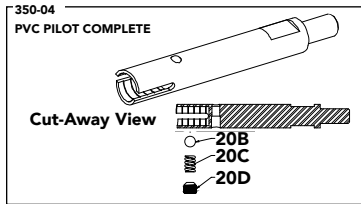
a Division of Romac Industries, Inc.

TAPMATE™ PARTS LIST

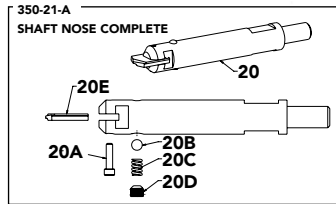
TAPMATE™ 350-00 (BASE MACHINE ONLY)



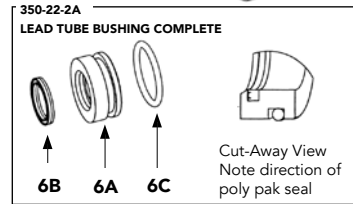
#21 DETAIL



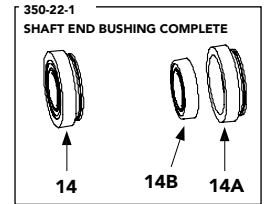
#20 DETAIL



#6 DETAIL



#14 DETAIL



REF. NUMBER	DESCRIPTION	ITEM NUMBER	LIST PRICE
1	Handle for Lead Nut (4 required)	350-29	\$ 98.78
2	Lead Nut	350-24	634.90
3	Lead Nut Nylatron Washer	350-24-531	44.00
4	Thrust Tube	350-32	917.12
5	Lead Tube Snap Ring (4 required)	350-23-54	12.72
6	Lead Tube Bushing Complete (2 required)	350-22-2A	267.06
6A	Lead Tube Bushing Only (2 required)	350-22-2	217.07
6B	Shaft Poly Pak Seal (1 per bushing, 2 per machine)	350-57-2	27.14
6C	Lead Tube Bushing O-Ring (1 per bushing, 2 per machine)	350-57-1-62	14.11
7	Lead Tube	350-23	1,509.52
8	Lead Tube Socket Plug (2 required)	350-23-512	7.09
9	Lead Nut Snap Ring	350-24-54	28.22
10	Jam Nut Thrust Washer (2 required)	350-20-531	21.82
11	Jam Nut (for cutters)	350-52	59.33
11A	Jam Nut Set Screw	350-52-1	1.26
12	Shaft Main	350-20	987.15
13	Shaft End Snap Ring (2 required)	350-20-54	12.72
14	Shaft End Bushing Complete	350-22-1	276.54
14A	Shaft End Bushing	350-22	153.46
14B	Shaft End Bearing	350-20-56	126.99
15	Brake Nut (2 required)	350-31-52	8.46
16	Serial Number Plate	350-58	15.48
17	Brake Half, Threaded	350-31	118.49
18	Brake Tube Complete	350-30	917.02
19	Shaft End Bushing Snap Ring	350-22-54	12.72
20	Shaft Nose Complete	350-21-A	385.72
20A	Spade Bit Lock Screw	350-03-531	7.09
20B	Coupon Retainer Ball (5/16)	350-21-561	7.09
20C	Coupon Retainer Spring	350-21-55	7.55
20D	Coupon Retainer Set Screw	350-21-512	7.09
20E	1" Spade Bit	350-03-08	102.85
21	PVC Pilot Complete	350-04	194.21