

INSTALLATION

G U I D E

CLEARFLO
BATH DRAIN

K-7193

THE BOLD LOOK
OF **KOHLER**®

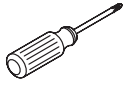
RECOMMENDED TOOLS AND MATERIALS



Adjustable
Wrench



Plumbers
Putty



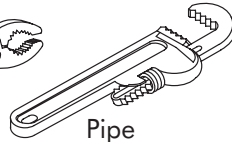
Phillips
Screwdriver



Blade
Screwdriver



Pliers



Pipe
Wrenches

BEFORE YOU BEGIN

HOW TO USE THESE INSTRUCTIONS

Please read these instructions carefully to familiarize yourself with the required tools, materials, and installation sequences. Follow the sections that pertain to your particular installation. This will help you avoid costly mistakes. In addition to proper installation, read all operating and safety instructions.

Kohler Co. reserves the right to make revisions in the design of faucets without notice, as specified in the Price Book.

NOTES

Observe all local plumbing and building codes.

Inspect waste and supply tubing; replace if necessary.

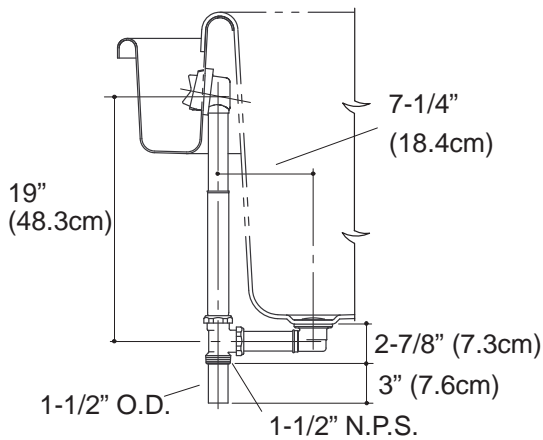
If you are installing a new bath, install the drain before installing the bath. Refer to the manufacturer's installation instructions.

Adjustable pop-up drain has removable parts.

Drain "T" is reversible for vertical or horizontal drainage.

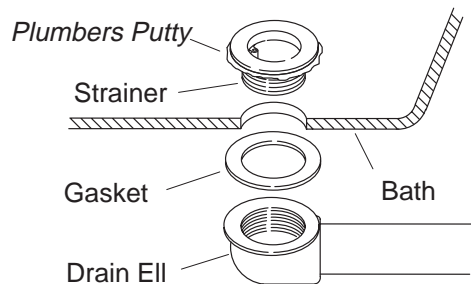
K-7193 is for the "sök™ bathing environment" Bath.

1. ROUGHING-IN DIAGRAM

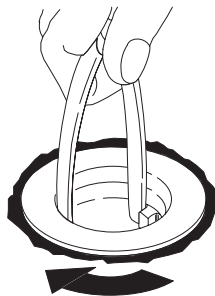


2. INSTALLATION

Apply a ring of plumbers putty or other sealant around the underside of the strainer according to the putty manufacturer's instructions. Position the flat gasket between the drain ell and the bottom of the bath. Turn the strainer into the drain ell.

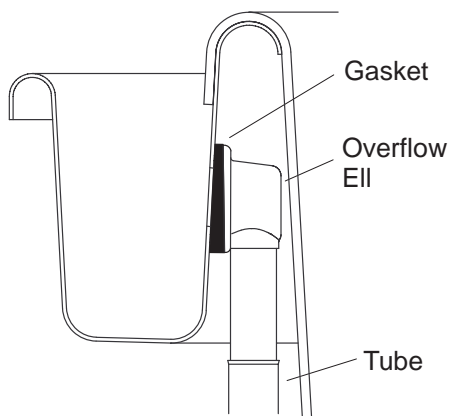


Tighten the drain ell securely by inserting pliers handles into the top of the strainer, as shown. Make sure the drain ell tube is facing the overflow opening. Remove any excess sealant.




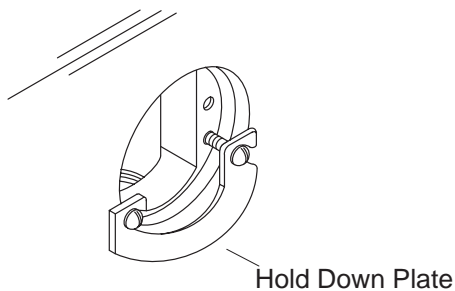
Attach the gasket to the overflow ell, as shown. Make sure the tapered end of the gasket is facing up.

Lubricate the O-rings on the overflow ell, and insert the overflow ell into the tube. Align the overflow ell with the overflow hole in the bath.



From inside the bath, assemble the hold down plate to overflow ell with screws provided. Tighten all screws.

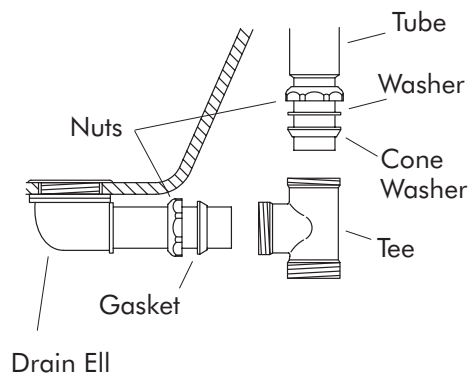
 **CAUTION: Risk of product damage.** Use a short screwdriver that does not contact the opposite side of the unit.



FOR BELOW FLOOR INSTALLATIONS:

Assemble the nut and gasket on the drain ell, and the nut, washer, and cone washer on the tube. Align the parts with the tee, as shown. Insert the tubes completely into the tee. Align and tighten the nuts.

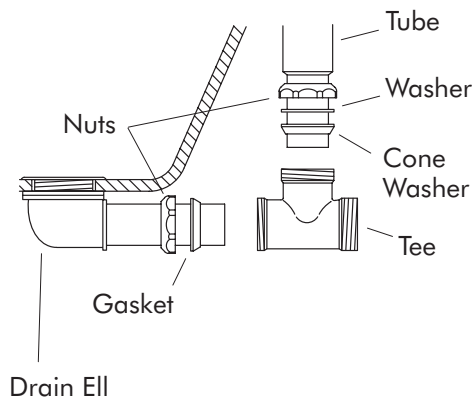
Attach the tailpiece to the tee, and tighten. The tailpiece may need to be cut for proper fit. The tailpiece should fit inside the trap 1" (2.5cm) to 2" (5.1cm). Install the bath according to the manufacturer's installation instructions. Make sure the drain tailpiece fits properly into the trap.



FOR ABOVE FLOOR
INSTALLATIONS:

Assemble the nut and gasket on the drain ell, and the nut, washer, and cone washer on the tube. Align the parts with the tee, as shown. Insert the tubes completely into the tee. Align and tighten the nuts.

Attach the tailpiece to the tee, and tighten. The tailpiece may need to be cut for proper fit. The tailpiece should fit inside the trap 1" (2.5cm) to 2" (5.1cm). Install the bath according to the manufacturer's installation instructions. Make sure the drain tailpiece fits properly into the trap.

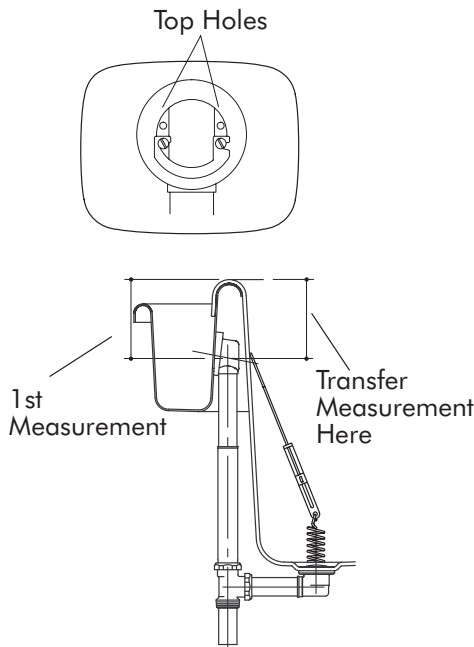


FOR MULTIPLE LIFT ROD
MODELS:

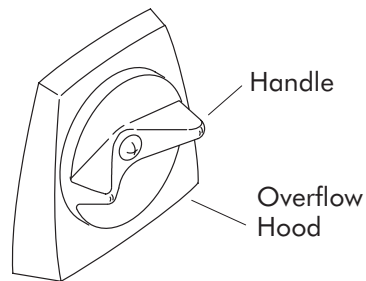
Choose the lift rod that extends most closely to the necessary length. Measure from the rim to the center of either top hole of the overflow ell. Transfer this measurement to the inside of the bath. Refer to illustration. Position the lift rod assembly directly on the drain stopper. Adjust the assembly length so the eye of the lift rod is centered over the transferred measurement. Refer to the illustration.

Insert the lift rod assembly into the overflow ell. Tighten the overflow hood to the overflow ell with the two screws provided.

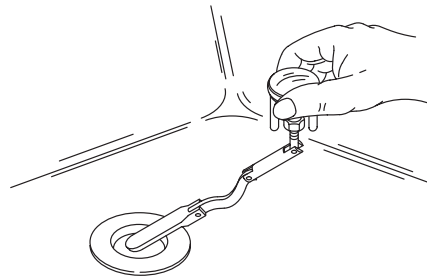
NOTE: For installations where the overflow hood will be exposed to high volumes of direct water spray, apply silicone sealant around the overflow hood.



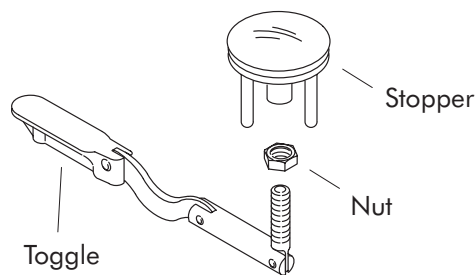
Assemble the handle to the overflow hood with the screw provided. It may be necessary to adjust the handle to the desired position.



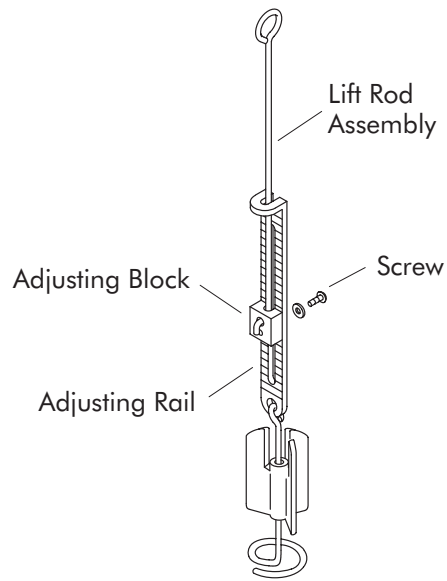
Insert the drain stopper into the drain ell.



The drain stopper should rise approximately 3/8" (1cm) above the strainer. To adjust the stopper height, remove the stopper and loosen the nut below the stopper. Raise the stopper by turning counterclockwise, or lower by turning clockwise.



If sufficient clearance cannot be obtained by adjusting the stopper, remove the lift rod assembly. Loosen the screw, and slide the adjusting block up on the adjusting rail to increase the clearance, or down to decrease the clearance. Tighten the screw, and insert the lift rod assembly back into the overflow ell.



CALL US FOR HELP

Questions? Problems? First review the installation instructions to ensure correct installation. For additional assistance, call our Customer Service Department for direct help. You may also contact us at our web site listed below.

In the U.S.A., call 1-800-4-KOHLER

In Mexico, call 001-877-680-1310

In Canada, call 1-800-964-5590

THE BOLD LOOK
OF **KOHLER**®

www.kohlerco.com