

CHECK IB944

HORIZONTAL SWING – BRONZE

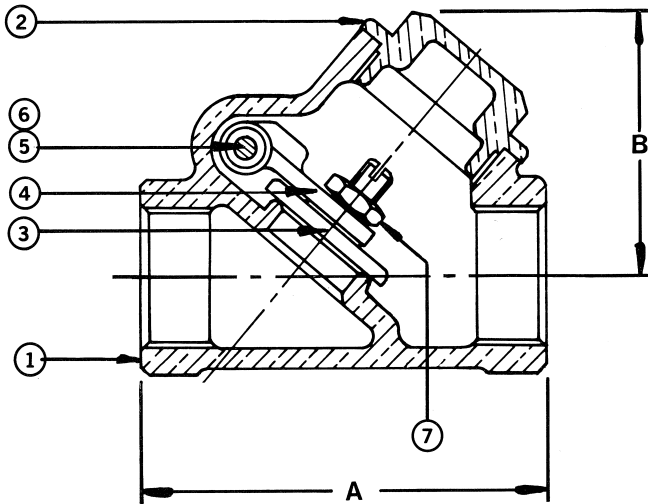
200 lb. SWP-425°F-400 lb. WOG†-150°F
 Bronze Regrinding Disc • Y-Pattern • Threaded Ends

SPECIFICATIONS

IB944	Conforms to: MSS SP-80. Type 3, Class 200, Threaded Ends.
-------	--

MATERIAL LIST

NO.	PART	MATERIAL	SPECIFICATION
1	Body	Cast Bronze	ASTM B 61
2	Cap	Cast Bronze	ASTM B 61
3	Disc	Cast Bronze	ASTM B 61
4	Lever	Cast Bronze	ASTM B 61
5	Pin	St. Steel	Commercial
6	Plug	Rod Brass	ASTM B 16
7	Disc Nut	Rod Brass	ASTM B 16



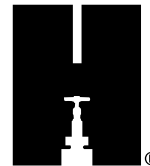
DIMENSIONS - INCHES / MILLIMETERS

Units	Size	A	B
Inches	1/4	2 1/4	1 5/8
MM	6.35	57.15	41.28
Inches	3/8	2 1/4	1 5/8
MM	9.53	57.15	41.28
Inches	1/2	2 5/8	1 3/4
MM	12.70	66.68	44.45
Inches	3/4	3	1 15/16
MM	19.05	76.20	49.23
Inches	1	3 11/16	2 1/2
MM	25.40	93.68	63.50
Inches	1 1/4	4 3/8	3
MM	31.75	111.13	76.20
Inches	1 1/2	4 5/8	3 5/16
MM	38.10	130.18	84.14
Inches	2	5 7/8	4
MM	50.80	149.20	207.98
Inches	2 1/2	7	4 3/4
MM	63.50	177.80	120.65
Inches	3	7 7/8	5
MM	76.20	200.00	127.00

† Non-Shock

Rev. 1

BETTER AT EVERY TURN



HAMMONDVALVE

www.hammondvalve.com