

**Please read and understand the requirements before proceeding.**

Hart & Cooley Type B gas vent pipe and fittings are Underwriters Laboratories-tested and listed to Standard 441 for use with listed gas-fired appliances that have been certified for use with Type B gas vent. B-Vent is intended for neutral or negative draft applications. It is designed for vertical installations (including laterals) but may be used for horizontal applications with a draft-inducing fan located such that all indoor portions of the vent are under negative pressure.

The materials in this B-Vent have been selected to provide maximum resistance to corrosion and heat; however, their use with temperatures exceeding 550° F or in highly corrosive atmospheres, such as chlorinated hydrocarbons (i.e., refrigerants, dry-cleaning fluids, degreasers, paint removers, etc.), may substantially reduce their life expectancy.

These installation instructions will enable the installer to make a safe and proper installation of the vent. Compliance with these instructions will ensure an installation that meets the requirements of all National Building Codes and the National Fuel Gas Code, NFPA 54 and NFPA 211. Hart & Cooley Type B gas vents are listed under the follow-up service of Underwriters Laboratories, Inc.

**CAUTION**

**Flue gas temperatures must never exceed 550° F in any Hart & Cooley gas vent system.**

**Gas appliances that may be connected to Type B gas vents**

Type B gas vents may be used to vent gas appliances listed for use with Type B gas vent.

These vents shall be installed in accordance with our listing as detailed in these installation instructions. The type of appliances that may be vented with these vents include:

Unit heaters	Room (space) heaters
Duct furnaces	Central warm-air furnaces
Attic furnaces	Hot-water boilers
Floor furnaces	Steam boilers
Water heaters	

**CAUTION**

**Hart & Cooley Type B vents are not to be used with appliances burning solid or liquid fuels.**

**Gas appliances that must be connected to chimneys**

The following appliances must be connected to chimneys.

- All incinerators in domestic applications
- All appliances that may be converted readily to the use of solid or liquid fuels
- Combination gas/oil-burning appliances
- Unlisted appliances

**General instructions**

- The vent should always be sized for the sea-level name plate input rating of appliances in accordance with the procedures set forth in the **Gas Vent Capacity Tables**, which appear in the **Gas vent chimney sizing and application guide** or in NFPA 54.
- Provide for adequate air supply for combustion air and draft-hood dilution air. Refer to NFPA 54 or the application guide for recommended arrangements and proper size of air supply openings.
- Use only parts and fittings listed in the catalog to ensure an approved vent.

- Portions of gas vents that may pass through accessible spaces must be enclosed to prevent personal contact with and possible damage to the vent. The enclosure also may have to meet fire-resistance rating provisions. See all local and national codes that may apply.
- Unenclosed outside vents below the roofline are prohibited.
- No damper or other restriction is permitted in a gas vent.
- Single-wall connectors and stovepipes may be used with Hart & Cooley Type B vent with the following considerations: The use of single-wall materials cause higher heat loss from the flue products, which in turn reduce the draft and may cause condensation to occur.
  - (A) Since the heat loss from single-wall pipe is double that from Hart & Cooley pipe, be sure to use the capacity table for single-wall connector.
  - (B) Observe the local requirements for clearance to combustibles for single-wall pipe. This distance is 6" to 9" in most areas.
  - (C) Do not run single-wall connectors through unheated spaces, partitions, or in concealed areas.

**Step-by-step installation procedure**

**Assembly of the vent**

- Appliances to be vented should be placed as close as possible to the point where the vent is to run vertically up through the building.
- Install the support assembly (RSA). A support assembly is recommended for all installations for the following reasons.
  - (A) It allows installation of the vent system prior to installation of appliances.
  - (B) It allows disconnection of the appliance for service at any time without disturbing or temporarily supporting the vent.
  - (C) It provides the required firestop as well as support.
  - (D) It is UL-listed.

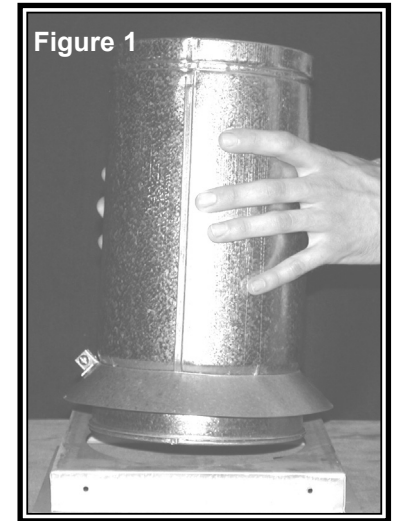


Figure 1 shows the installation of an RSA support assembly.

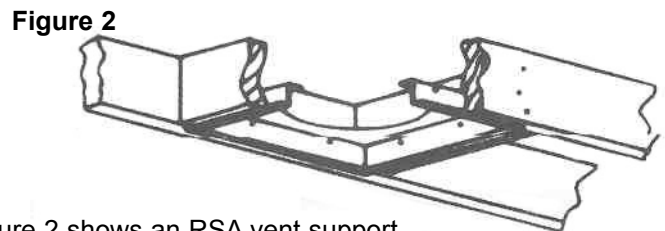


Figure 2 shows an RSA vent support installation in floor or ceiling joists or rafters of a flat roof.

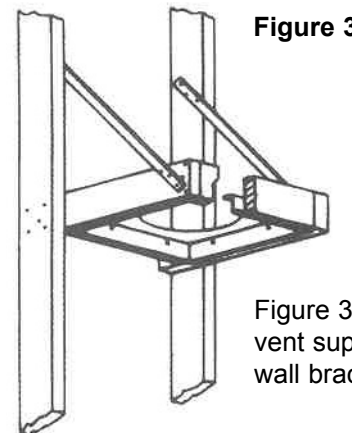


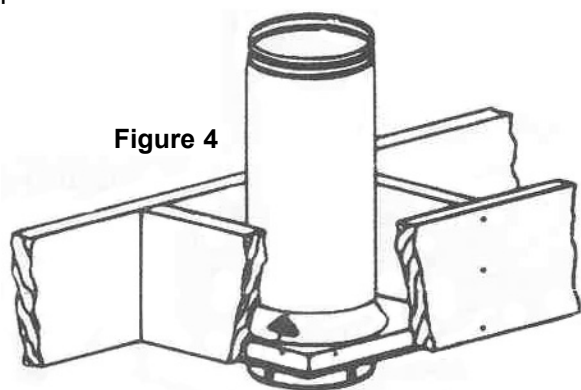
Figure 3

Figure 3 shows an RSA vent support using a wall bracket (by others).

The support assembly shall be installed in the following manner. Frame an opening between standard 2" joists, either on 16" or 32" centers, depending on vent dimension, with headers of the same dimension lumber as the joists (Figure 2) or on the wall studs with 2x4's as in Figure 3. The opening must be square and level on the bottom side. Place the support plate up into the opening with flanges tight against the underside of the framing. Nail in place with two 8d nails on each side through the holes provided.

**Installation of vent pipe in the RSA support**

- Place a supporting collar in the groove at the bottom end of any standard pipe just above the locking ring. Tighten the screw so that the collar is firmly clamped into position in the groove. The pipe is now assembled properly to fit into the support plate. (See Figure 4.) This pipe assembly will rest on the upper side of the support plate and provide the **REQUIRED 1-INCH CLEARANCE FROM COMBUSTIBLES**. The pipe will protrude below the support for connecting additional pipe from the vent to the appliance. A maximum of 60 feet of vent can be installed above the support before resupport is required.



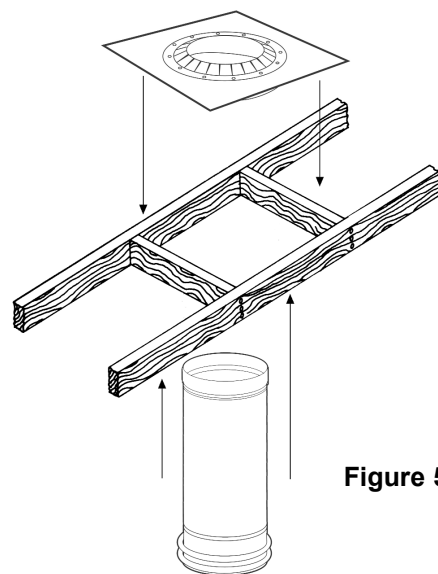
- Place an RDH draft hood connector on the outlet or the draft hood of the appliance. The aluminum portion of the draft hood connector should be fastened to the appliance collar with sheet metal screws. The extending aluminum portion can be readily shaped by hand to fit oval collars.
- Install vertical vent pipe and fittings.

**Installation for Optional Model RGS Firestop/Gripper Support**

- At the desired location, cut a square or circular hole in the floor at a minimum of 2½ inches larger than the nominal pipe size, but not greater than 4 inches larger. See chart below. This will provide the required **1-INCH CLEARANCE FROM COMBUSTIBLES**.

Support Hole Dimensions (inches)				
Nominal Pipe Size	3	4	5	9
Minimum Hole Size	5½	6½	7½	8½
Maximum Hole Size	7	8	9	10

- Place the support over the hole with the ring down.
- Use an 8-penny nail or self-drilling sheet metal screw in each corner at least ¾ of an inch from the edge.
- Pipe should be inserted from below. A maximum of 30 feet of pipe may be installed above the support before resupport is required. (See Figure 5.)



**Assembling joints**  
**See Figures 6, 7, and 8**

- Use gloves when handling vent parts.
- To assemble joints of pipe and fittings, first make sure that the lock ring is moved upward sufficiently to clear the formed tabs. Check the tabs to see that they are projecting slightly outward from the pipe so that the upper section will slide down over the top end of the lower section to which it is being joined. Look for the word "UP" with the arrow pointing in the direction of flue-gas flow.
- Slide the top pipe or fitting down over the upper end of the lower pipe until the projections on the tabs line up with the groove in the lower pipe. The joint will naturally come to a stop at this point if it is placed firmly down over the lower section.
- Using the thumbs and fingers, press the tabs into position, and slide the lock ring down to lock the tabs in place.

- If for some reason it is necessary to uncouple a joint, this may be easily done by sliding up the lock ring and moving the top section slightly to loosen the tabs. The section can then be lifted off.

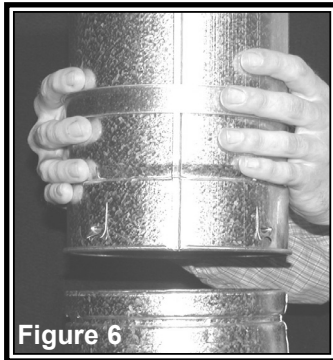


Figure 6



Figure 7



Figure 8

- (A) Whenever possible, a vertical vent should be used. This is done by simply using straight sections of pipe from the draft hood connector out through the roof. Where this is not possible, a vent connector using B-vent is used to run laterally from the draft hood to the base of the vertical vent. The horizontal length of this vent connector should not exceed 1½ feet for each inch of connector diameter. If it is necessary for B-vent connector to pass through a partition, an RWT thimble may be used, or the wall framed to allow 1-INCH CLEARANCE and an RPC collar used on each side of the partition. When a vent connector is used, it should have as much vertical rise as possible BEFORE the horizontal run. Vent connectors attached directly to side outlet draft hoods, such as floor furnaces, shall be pitched upward at least ¼ inch per foot. The lateral run of vent connectors attached to top outlet draft hoods may be either horizontal or pitched upward.

**DO NOT USE SCREWS IN B-VENT UNLESS LINING A MASONRY CHIMNEY. SCREWS ARE NOT NECESSARY AND CAUSE NOISE.**

- (B) The necessary straight lengths of pipe should be connected to the elbow, tee, or the draft hood connector, and all joints should be securely locked together as indicated above.
- (C) Floors, ceilings, and other combustible construction should be cut away or framed as necessary to provide a **MINIMUM OF 1-INCH CLEARANCE** from the surface of the vent pipe. Metal straps should be used to maintain the vent pipe in position to ensure that the **1-INCH CLEARANCE** to combustibles is maintained after the walls are closed. (See Figure 9.) **DO NOT SCREW INTO THE VENT.**

**CAUTION**

**Do not allow the offset pipe to put pressure on the elbow. Use pipe strap for support.**

- (D) Whenever possible, the vent should be continued straight out through the roof. If it is necessary to make offsets in the attic space, the lateral run should be sloped upward as sharply as possible, using elbows to minimize resistance. The lateral run should be supported using metal straps, and again maintaining the **MINIMUM CLEARANCE OF 1 INCH** from combustibles. (See Figure 9.)

**CAUTION**

**Laterals in common vents are limited to 1½ feet for each inch of vent diameter.**

- (E) Laterals must be supported at 5-foot maximum intervals. Where vertical vents are spaced by firestops between floors, they need only be supported at the bottom.

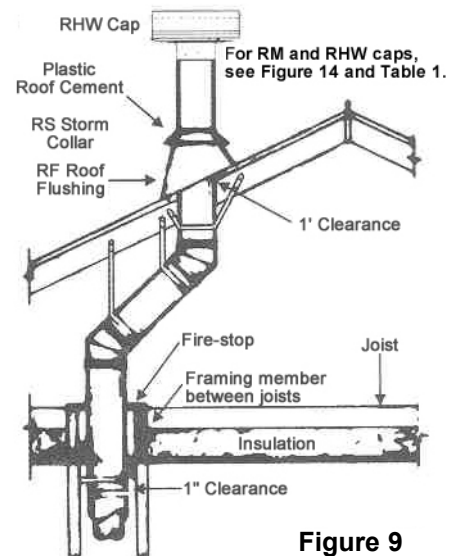


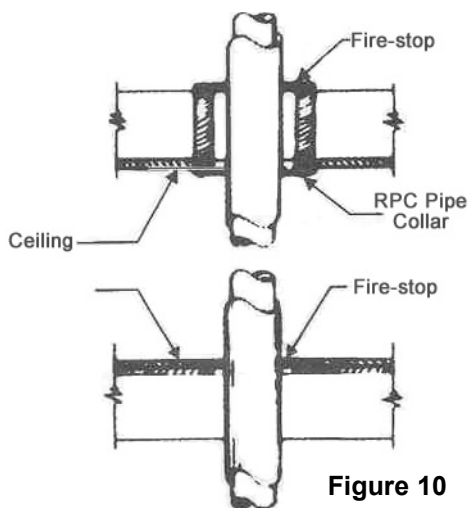
Figure 9

**Framing to prevent contact with building insulation**

- In many instances, vents pass through ceilings that are insulated. In these cases, it is necessary to frame around the opening cut in the ceiling for passage of the vent pipe so that building insulation or other combustible material will not come in contact with the surface of the vent. This framing should, of course, be arranged to **PROVIDE 1-INCH MINIMUM CLEARANCE** from the surface of the vent. (See Figure 9.)
- Occasionally Type B vent connectors must pass through partitions that are insulated. The simplest means of preventing contact with the insulation in these cases is to use an RWT wall thimble.

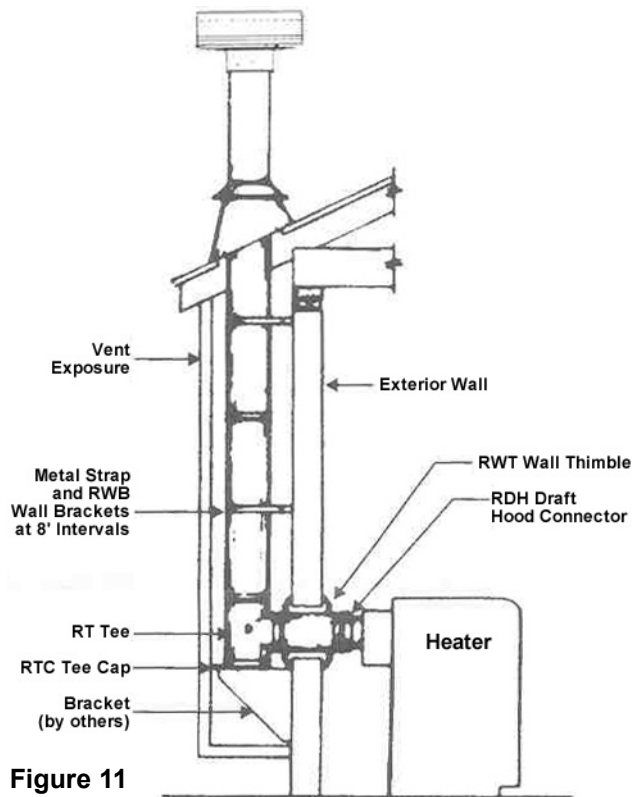
**Fire-stopping**

- In single-story, slab-floor houses having an attic space, a firestop must be provided where the vent passes through the ceiling, unless an RSA support is used there. The ceiling should be cut away from the opening frame to **PROVIDE 1-INCH MINIMUM CLEARANCE** from the vent pipe. A firestop consisting of a noncombustible material, such as 1/4-thick ceramic board or 26-gauge galvanized sheet metal, should be cut to fit the pipe and the framed opening. The firestop should be fastened to the top of the joists and framing members to eliminate any pockets in which combustible debris might collect. An RPC pipe collar may be used on the underside of the ceiling to finish off the opening. (See Figure 10.)



**Figure 10**

- In single-story buildings with an attic space and with the gas appliance located in a basement or crawl space, firestops must be provided where the vent passes through both the floor and the ceiling. This can be done by cutting away and framing the floor and ceiling construction and installing firestops of noncombustible material as shown in Figure 10. All combustible construction should be cut away sufficiently to **PROVIDE THE MINIMUM CLEARANCE OF 1 INCH FROM THE VENT PIPE SURFACE.**
- In multi-story buildings, a firestop must be provided at every point where the vent passes through a floor or ceiling. These firestops may be provided as indicated in the paragraph above.
- Four-inch round vent (4RPX) may be used in a 2" x 6" stud wall. The proper clearance in a 2" x 6" wall is provided by the spacer on the pipe and by the 4RFS firestop spacer. All other uses of a 4" pipe require the normal **1-INCH CLEARANCE TO COMBUSTIBLES.**



**Figure 11**

**Terminations using a flashing and a cap**

**Models RHW and RM caps**, sizes 3" through 12", are listed for installation on gas vents terminating so that the lowest discharge opening shall be no closer than the minimum height shown in Table 1 and Figure 12. These minimum heights may be used, provided that the vent is not less than 8 feet from any vertical wall. **FOR A VENT CLOSER THAN 8 FEET, THE VENT TERMINATION MUST BE RAISED UNTIL 2 FEET HIGHER THAN THE STRUCTURE.**

Offsets in the attic space should be used to minimize the amount of vent pipe that must be exposed above the roof in order to comply with the above. No gas vent should be terminated less than 5 feet in vertical height above the highest connected appliance draft hood outlet.

- If a vent extends more than 5 feet above the roof, it should be guyed with 3 wires or braced with 2 pieces of rigid conduit.

**CAUTION**

Where heavy snowfall occurs,  
the cap should be installed to a  
height above the average snow depth.

- A cap or chimney housing offers resistance to the entrance of rain, snow and debris, as well as birds, and will minimize the effect of wind on the vent. It will protect the vent from down drafts caused by wind.

*However, no vent cap, cowl or top can overcome the adverse effect of a region of high static pressure around the vent terminal nor the effect of an interior region of low pressure.*

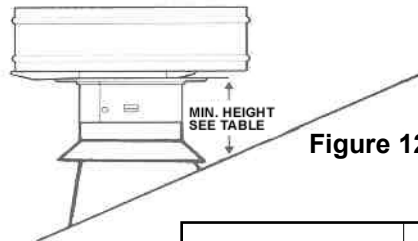
- Reference: American Gas Association Research Bulletin 68

Regions of high static pressure around the vent terminal can be avoided by following the general rule for the vent termination given previously. Low or negative interior pressures in the building may be caused by (1) failure to provide combustion air, (2) excessive use of exhaust fans, and (3) tight construction resulting in the lack of infiltration air. Vented clothes dryers and fireplaces also will remove large amounts of air from the interior, tending to produce a low interior pressure.

WHERE THE VENT PASSES THROUGH THE ROOF, the roof sheathing should be cut away sufficiently to **PROVIDE A MINIMUM OF 1-INCH CLEARANCE** from the vent pipe. The vent pipe should be run up to a point where the top end is at least a foot or so above the roof.

An RF roof flashing should be placed down over the upper end of the pipe, and adjusted so the base place of the flashing fits tightly against the roof with the vent pipe held in a position, **MAINTAINING THE 1-INCH CLEARANCE FROM COMBUSTIBLE CONSTRUCTION.** The flashing may be sealed to the roof. The RS storm collar must be placed immediately above the roof flashing. The storm collar must be sealed with roof cement or RTV silicone to seal the joint between the storm collar and the vent pipe. The storm collar provides protection against the entrance of any moisture into the flashing. (See Figure 12.)

Painting the exposed vent surfaces above the roof will result in longer vent life. A good grade of paint designed for use on galvanized steel should be used. RHW and RM caps push straight down and snap onto the pipe. To remove, pull straight up and rock slightly.



**Figure 12**

Roof Pitch	Minimum Height from Roof to Lowest Discharge Opening, Ft.
Flat	1.0
Over 6/12 to 7/12	1.25
Over 7/12 to 8/12	1.5
Over 8/12 to 9/12	2.0
Over 9/12 to 10/12	2.5
Over 10/12 to 11/12	3.25
Over 11/12 to 12/12	4.0
Over 12/12 to 14/12	5.0
Over 14.12 to 16/12	6.0
Over 16/12 to 18/12	7.0
Over 18/12 to 20/12	7.5
Over 20/12 to 21/12	8.0

**Notice concerning limitation of Hart & Cooley pipe used with gas appliances**

- Gas vent systems should be plainly and permanently labeled: *This gas vent is for appliances that burn gas only. Do not connect to incinerators or solid or liquid fuel-burning appliances. Inspect the vent prior to each heating season to confirm an unrestricted vent.*
- The authority having jurisdiction shall determine whether the particular locality constitutes an area where such notice must be posted.
- In those cases where the posting of such a notice is required, a label shall be placed as follows.
  - (A) Where a vertical vent is used, the label shall be placed on the ceiling near the point where the vent passes through the ceiling.
  - (B) If the vent is horizontal, the label shall be placed on the wall near the point where the vent passes through the wall, on the side of the partition on which the appliance is located.

**Outside vents**

Occasionally it is necessary to vent an appliance through an exterior wall and up along the outside wall to a point above the roof, as shown in Figure 11.

In this case, an RDH draft hood connector and/or short length of RP pipe is used to connect the appliance to an RT tee, which is capped off on the bottom and supported on an RSA support and bracket (by others). The vertical vent is then erected from the tee, using straight lengths of RP pipe. These lengths of pipe should be securely locked together and positioned with RWB wall brackets to **MAINTAIN 1-INCH MINIMUM CLEARANCE TO COMBUSTIBLE CONSTRUCTION AT ALL POINTS**. The vent may be carried through the roof overhang using an RF flashing and RS storm collar, and terminated with a cap. The vent then shall be enclosed below the overhang.

**Lining a masonry chimney**

An unlined masonry chimney is not permitted to be used to vent gas appliances. Hart & Cooley Type B gas vent or chimney liner system may be used to line a masonry chimney. These instructions are for Type B vent.

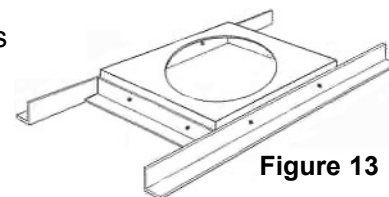
Lining an unused masonry chimney should be done only by a qualified contractor. Contact local building or fire officials about restrictions and installation inspection in your area.

The chimney liner size must not be less than that specified in the appliance manufacturer's instructions or smaller at any point than the connected appliance flue outlet size. Zero airspace clearance between the vent and the chimney interior surface is permitted. The masonry chimney may also have a zero airspace clearance (direct contact with) combustibles and the chimney exterior surface. This is permitted with nominal 4"-width brick. A masonry chimney must have a clear passageway, sound construction, and be clean before proceeding. Inspect the chimney for cracked brick and mortar, missing pieces or holes, and repair as necessary. To prevent corrosion to the B-vent, thoroughly clean the chimney of any residual debris, creosote, or soot that may coat the inside passageway. The passageway must be at least large enough to accommodate the proper size B-vent for the appliance(s).

If there is space remaining in the chimney outside the liner, this space shall not be used to vent another appliance unless another liner is used. Minimum and maximum heights and sizing for B-vent are in the National Fuel Gas Code. The chimney termination must meet the requirements of NFPA 211.

**Installation**

- A tee (RT with a tee cap, RTC) should be used at the lowest point of the liner. A welded angle iron frame (by others) mortared into the chimney walls should be used with the support assembly. (See Figure 13.) Through-bolt the support assembly into the frame with 1/4"-20 nuts and bolts (by others) in all holes. Place the supporting collar in the groove at the bottom of the tee just above the locking ring. (See Figure 1.) Tighten the screw so that the collar is firmly clamped into position in the groove. The tee is ready to fit into the support plate.
- Sixty feet of pipe may be supported by the RSA support. If more than 60 feet is required, another support assembly may be used. An adjustable length (RPA) should be used just below the resupport to make up for odd dimensions between supports and to provide for expansion, if necessary.



**Figure 13**

- If pipe assemblies are lowered into place from above, sheet metal screws should be used to hold the lock bands in place.
- Terminate the vent with a tall cone flashing (RTF), storm collar (RS), and appropriate diameter cap.

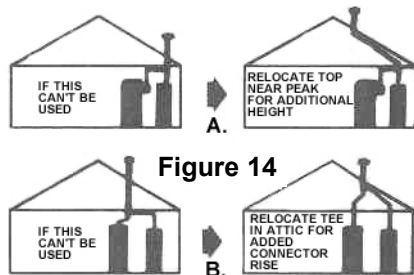
### Maintenance and inspection

Gas is a clean-burning fuel that typically does not require maintenance of appliance vent system. However, the liner must be inspected at least once a year by a qualified inspector or installer at the same time that the appliance is being inspected and serviced. The cap snaps off for visual inspection of the outlet area. Connector pipe should be removed to examine the inlet at the base of the chimney. Look for loose joints, debris, condensate or corrosion, and clean or repair as required.

### Combined vents

- For detailed instructions for combining two or more appliances into a common vent, see the **Gas Vent Capacity Tables** section in the application guide.
- Whenever possible, vents should be run directly from collar of the appliance vertically out through the roof in the most direct method available.

- In those cases where it is necessary or desirable to combine the vent connectors of several gas-fired appliances into a common vent, the vent connector from each individual appliance should be arranged to have as great a vertical rise as possible before starting the lateral run to the common vent.



IF THIS CAN'T BE USED

IF THIS CAN'T BE USED

RELOCATE TOP NEAR PEAK FOR ADDITIONAL HEIGHT

RELOCATE TEE IN ATTIC FOR ADDED CONNECTOR RISE

If a combined vent cannot be used because of limitations in the connector rise or total vent height, alternatives such as those illustrated (Figure 14) may be used to secure greater rise or greater total vent height. TYPE B GAS VENT CONNECTOR must be used for Figure 14B.

**THESE INSTRUCTIONS SHOULD REMAIN AVAILABLE TO THE HOMEOWNER AT ALL TIMES.**

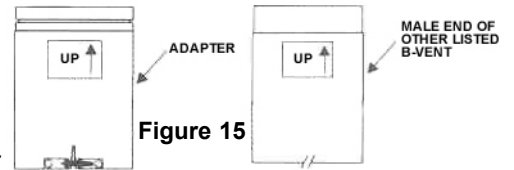
### Installation instructions for Hart & Cooley UL-listed Type B gas vent adapters

The following table specifies the UL-listed adapters to be used when changing between Hart & Cooley and B-vent manufactured by others.

Other Manufacturer	Pipe Diameter	Other into Hart & Cooley	Hart & Cooley Vent into Other
Selkirk Metalbestos/ Household Mfg. Co.	3" - 6"	RA or RPA	RRA
	7" - 8"	RA	
Metal Fab, Inc.	3" - 6"	RA or RPA	RRA
	7" - 8"	RA	
American Metal Products, Inc.	3" - 6"	RA or RPA	RRA
	7" - 8"	RA	
General Products Company, Inc.	3" - 6"	RAA	RRA
	7" - 8"	RAA	
Simpson Dura-Vent	3" - 6"	RAA	RRA
	7" - 8"	RAA	

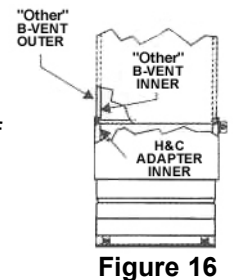
### Other into Hart & Cooley vent

Assemble the female end of the adapter over the male end of the other listed B-vent. Fully seat the adapter or provide a minimum of 1-inch overlap. Tighten the screw in the slips provided. (See Figure 15.)



### Hart & Cooley vent into Other

Insert "Other" female end's inner and outer inside RRA's inner and outer. Slide together minimum of 1 inch to seat inner. Tighten the screw. (See Figure 16.)



Hart & Cooley, Inc.  
500 East Eighth Street  
Holland, MI 49423  
info@hartcool.com  
www.hartandcooley.com

800.433.6341 toll-free  
616.392.7855 phone  
800.223.8461 toll-free fax  
616.392.7971 fax