

# Butterball VALVE

# BB2 SERIES

1/4"-2" 175 PSI (1207kPa)

THREADED END ONLY

WW-V-1967

THREADED END - FIG# BB2-100  
SOLDER END - FIG# BB2-350



## RATINGS

- 175 psig WOG
- CSA (AGA/CGA) & UL Ratings<sup>(1)(\*)</sup>
- Vacuum to 29"  
<sup>1</sup>(Except 1/4" & 3/8" Threaded end)

## FEATURES

- Full Port Design
- Full Flow, High Cv
- One Piece Bronze Body\*
- Stainless Steel stem and disc
- Viton Seal
- Excellent throttling characteristics<sup>(3)</sup>
- Requires no system pressure to seal
- 30°F to 275°F Temperature Range

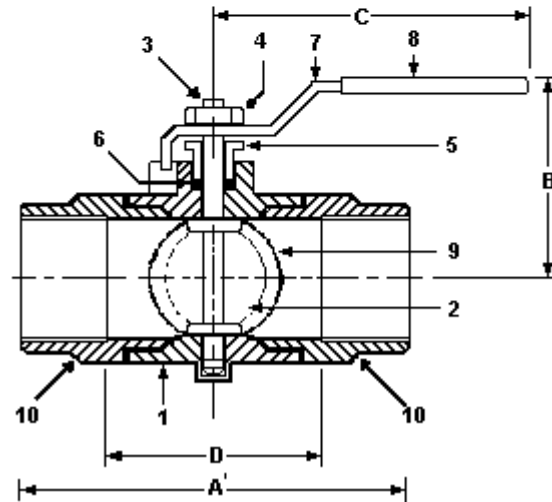
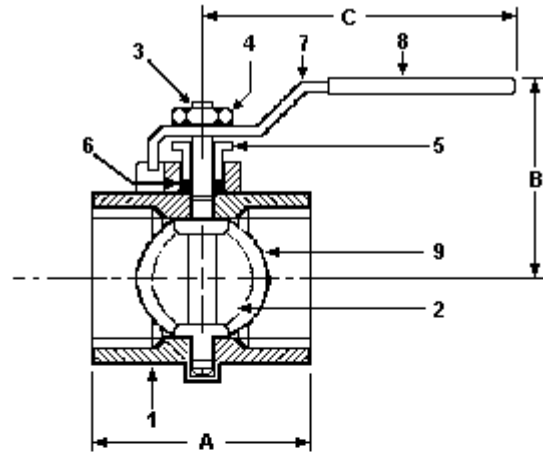
## APPLICATIONS

- Natural Gas Shut-off\*  
(1/2" psi and 5 psi)
- LP Gas Shut-off\*
- Gas and Air Systems
- Fuel Oil (Types 1-6)\*
- Oil Systems\*
- Liquid Service including water<sup>(2)</sup>
- Throttling, Balancing & Shut-off<sup>(3)</sup>
- Vacuum Service

\* Applies to BB2-100 Series Threaded End only

<sup>(2)</sup> Do not use on hot water over 120° F

<sup>(3)</sup> Do not throttle or leave in the near closed position as seal damage may result.



## MATERIALS

ITEM	PART	MATERIALS	ASTM SPEC.
1	Body	Bronze	ASTM-B584
2	Disk	Stainless Steel	Type 304
3	Stem	Stainless Steel	Type 303
4	Hex Nut	Stainless Steel	Type 302
5	Gland	Rod Bronze	CA-360
6	Packing	Nylon	
7	Handle	Steel w/ Zinc Plating	
8	Flat Grip	Vinyl	
9	Disc Seat	Viton	
10	Tailpiece	Bronze	ASTM-B584

## DIMENSIONS

	UNITS	1/4"	3/8"	1/2"	3/4"	1"	1-1/4"	1-1/2"	2"
		DN6	DN10	DN15	DN20	DN25	DN32	DN40	DN50
A	INCHES	2.25	2.38	1.88	2.00	2.13	2.63	2.88	3.25
	mm	57.2	60.3	47.6	50.8	54.0	66.7	73.0	82.6
A <sup>1</sup>	INCHES	NA	2.38	2.50	3.13	3.63	4.38	4.88	5.63
	mm		60.3	63.5	79.4	92.1	111.1	123.8	142.9
B	INCHES	1.50	1.50	1.50	1.56	1.75	2.19	2.31	3.63
	mm	38.1	38.1	38.1	39.6	44.5	55.63	58.7	92.2
C	INCHES	3.50	3.50	3.50	3.50	3.50	5.00	5.00	5.00
	mm	88.9	88.9	88.9	88.9	88.9	127	127	127
D	INCHES	NA	1.63	1.50	1.63	1.81	2.44	2.69	2.94
	mm		41.4	38.1	41.4	46.0	62.0	68.3	74.7
Cv			10	13	25	43	85	112	180
Torque	in/lb	18	18	18	22	35	50	70	120
Weight	BB2-100	0.6	0.6	0.5	0.7	0.8	1.0	1.5	3.0
	BB2-350	NA	0.5	0.5	0.6	1.0	1.6	2.0	3.7

Rev. 2

The information presented on this sheet is correct at the time of publication. Milwaukee Valve reserves the right to change design, and/or material specifications without notice. For the Installation, Operation and Maintenance Manual (IOM) see the engineering section on our website. For the most current information access [www.milwaukeevalve.com](http://www.milwaukeevalve.com)

