

STERLING®

A KOHLER COMPANY

ENSEMBLE™

Features

- Compression molded from our exclusive solid Vikrell® material
- Available with tile or curve wall surrounds
- Durable high-gloss finish
- 10-year consumer/3-year commercial limited warranty
- 60-1/4" (153 cm) x 34" (86.4 cm) x 5-1/2" (14 cm) receptor rough-in dimensions include nailing flange
- 60" (152.4 cm) x 34" (86.4 cm) x 4-1/2" (11.4 cm) unit finished dimensions

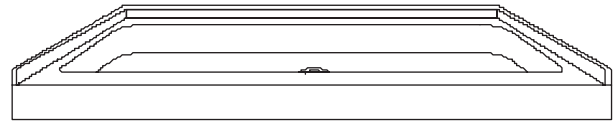
60" (152.4 cm) SHOWER RECEPTOR 72131100



Codes/Standards Applicable

Specified model meets or exceeds the following:

- ANSI Z124.1.2
- CSA B45
- ASTM E162
- ASTM E662



Colors/Finishes

- 0: White
- Other: Refer to Price Book for additional colors/finishes

Specified Model

Model	Description	Colors/Finishes	
72131100	60" (152.4 cm) shower receptor	<input type="checkbox"/> 0	<input type="checkbox"/> Other _____

ENSEMBLE™

Technical Information

Model	door maximum width	door maximum height
72131100	*56-5/8" (143.8 cm)	*NA
* Varies with alternative walls.		

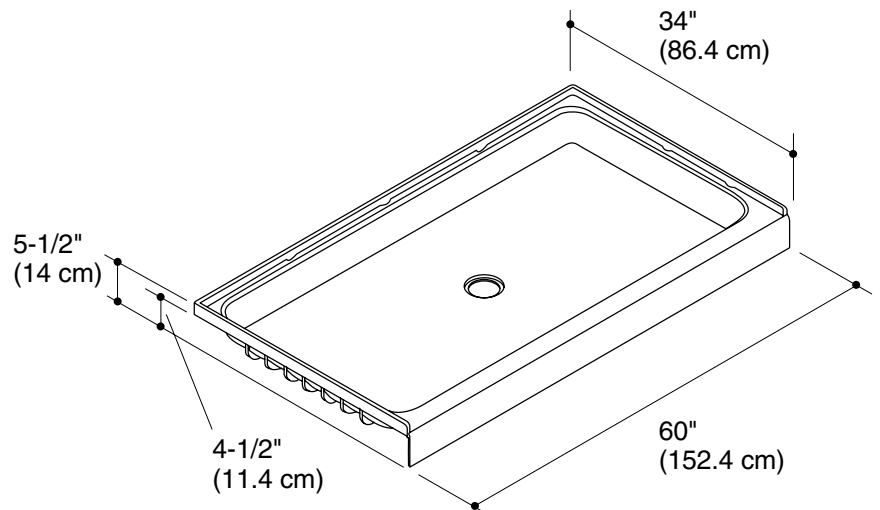
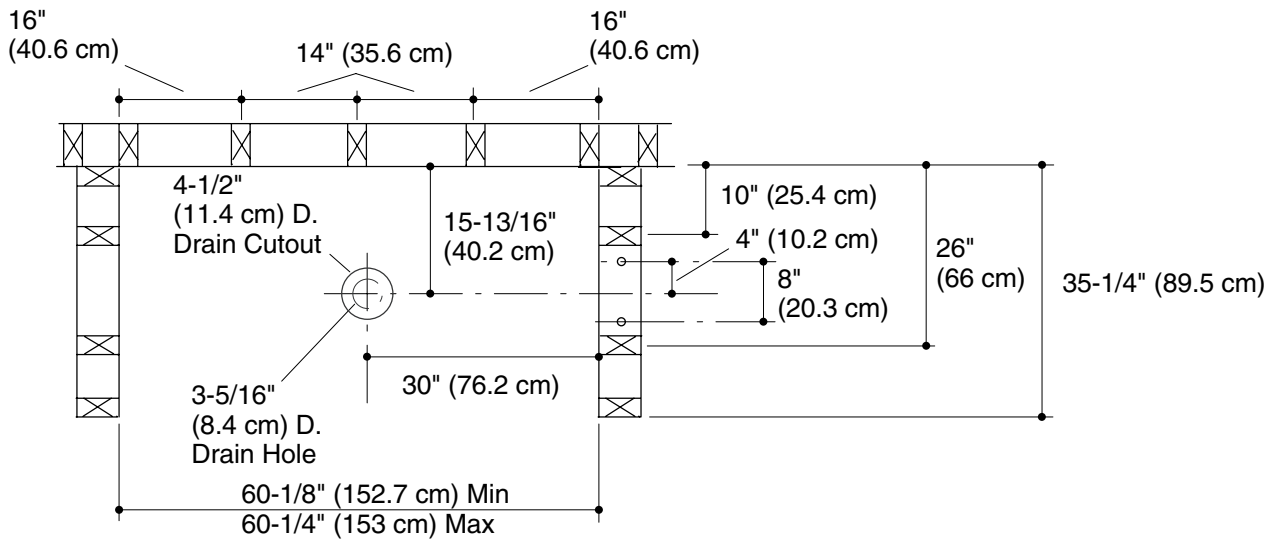
Size the drain cutout to fit the drain assembly that will be used.

Double studding is recommended for pivot shower door installations.

Studs should be positioned roughly as shown.

Installation Notes

Install this product according to the installation guide.



Product Diagram