

DESCRIPTION

- Chrome plated metal construction
- Pressure balancing cycle valve design with 1/4 turn stops
- 3 function transfer valve
- 1/2" CC connections
- Shower arm has 1/2" IPS male thread
- Contains: showerhead, hand-held shower, 69" metal hose, 30" slide bar, drop ell, vacuum breaker and mounting hardware
- **Slide bar is NOT DESIGNED TO BE A GRAB BAR**
- Supplied with vandal resistant screws

OPERATION

- Temperature and transfer valve both have ADA compliant lever style handles
- Handle operates counterclockwise through a 270° arc with off at 6 o'clock, and maximum hot at the 9 o'clock position. Shut off in clockwise direction
- Adjustable temperature limit stop
- Pressure balancing mechanism maintains selected discharge temperature to ± 2°
- Transfer valve operates 3 distinct functions
- Single function spray pattern

FLOW

- 2.5 gpm (9.5L/min) MAX. at 80 psi hand-held shower and stationary shower head

CARTRIDGE

- 1222HD brass cartridge design in temperature control valve
- Accommodates back-to-back installations
- Ceramic disc cartridge in transfer valve
- Brass construction with stainless steel materials

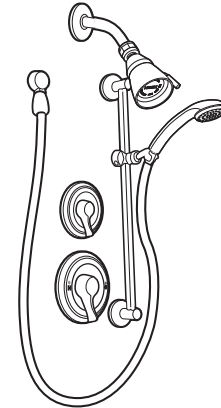
STANDARDS

- Third party certified to ASME A112.18.1/CSA B125.1 and all applicable requirements referenced therein

- **ADA** for lever handle

WARRANTY

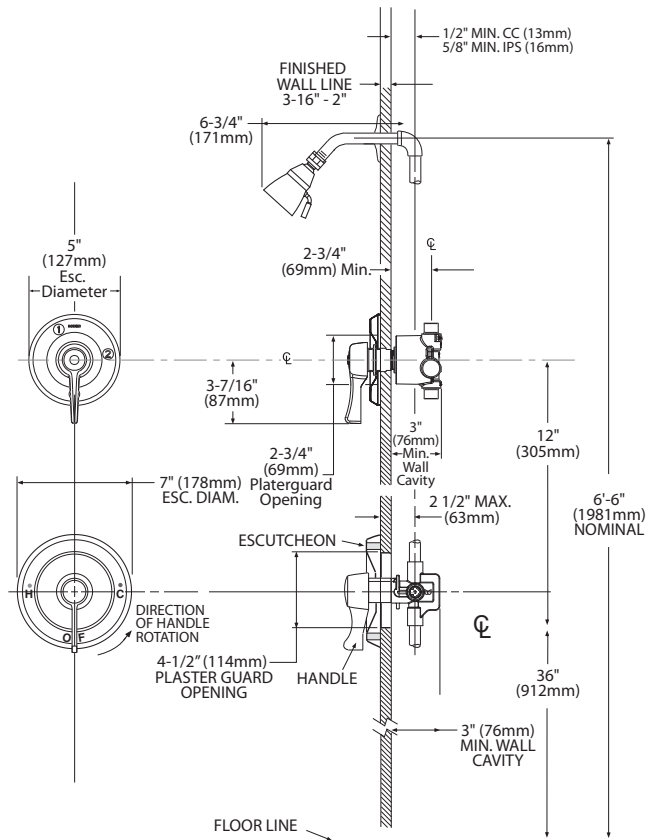
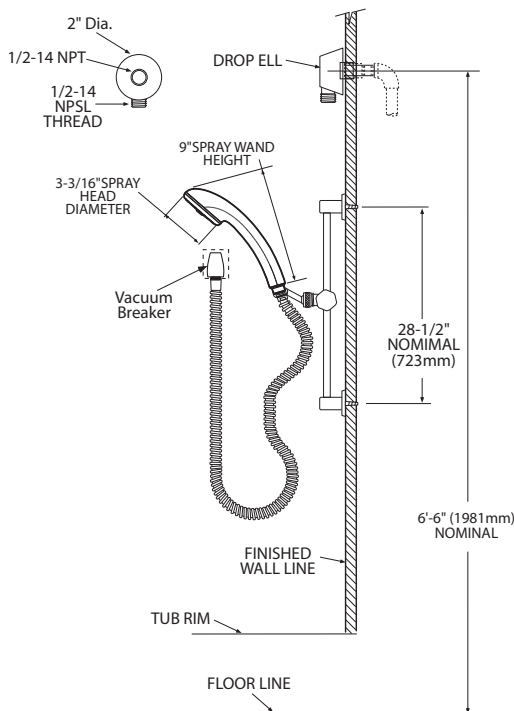
- Warranted for 5 years against material or manufacturing defects



**Three-Function
Commercial Shower System**



Model: 8342



NOTE: This valve is not intended to be used as a shut-off valve. To prevent the potential of cross flow, check valves must be integral to the supply valve or installed in both hot and cold water supply lines.

CRITICAL DIMENSIONS

(DO NOT SCALE)