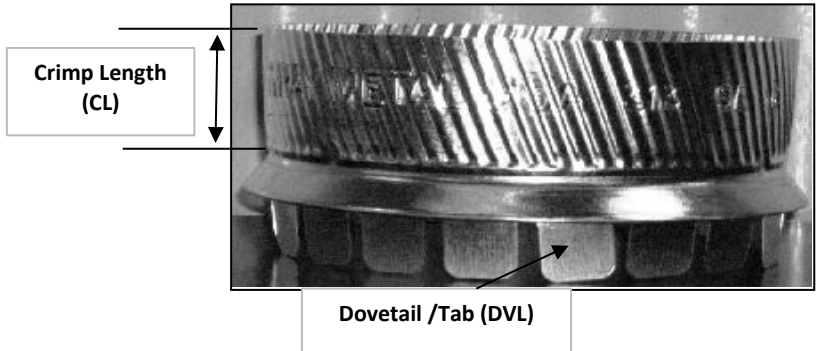
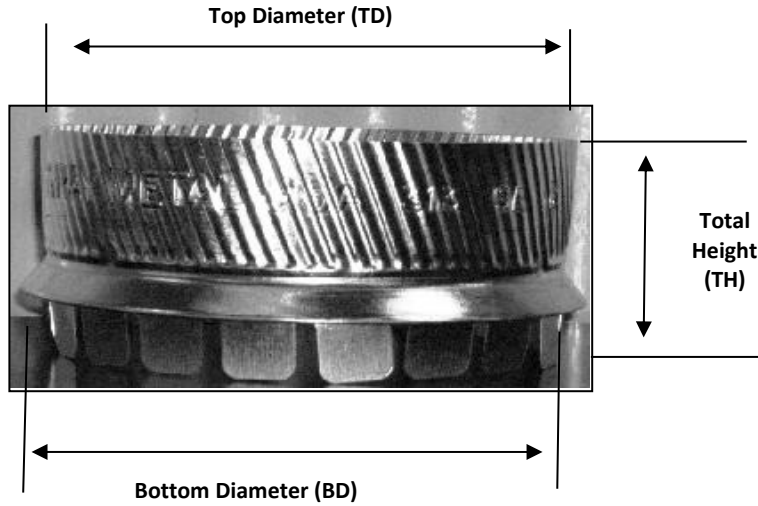


# Gray Metal Products - Product Data Sheet (PDS)

Product No. 313SE  
Small End Collar With Crimp

Body: 26 Gauge

All measurments are in inches



Part	TD	BD	DVL	CL	TH
3-313SE	3"	3"	3/4"	1 1/2"	2 3/4"
4 - 313SE	4"	4"	3/4"	1 1/2"	2 3/4"
5 - 313SE	5"	5"	3/4"	1 1/2"	2 3/4"
6 - 313SE	6"	6"	3/4"	1 1/2"	2 3/4"
7 - 313SE	7"	7"	3/4"	1 1/2"	2 3/4"
8 - 313SE	8"	8"	3/4"	1 1/2"	2 3/4"
9 - 313SE	9"	9"	3/4"	1 1/2"	2 3/4"
10 - 313SE	10"	10"	3/4"	1 1/2"	2 3/4"
12 - 313SE	12"	12"	3/4"	1 1/2"	2 3/4"
14 - 313SE	14"	14"	3/4"	1 1/2"	2 3/4"
16 - 313SE	16"	16"	3/4"	1 1/2"	2 3/4"
18 - 313SE	18"	18"	3/4"	1 1/2"	2 3/4"
20 - 313SE	20"	20"	3/4"	1 1/2"	2 3/4"

Tolerance = plus or minus .125" (1/8")