

NOW NSF LISTED!!

*Still Built
in the USA...*



DRINKING WATER
NSF/ANSI 61 & 372

JRS JRS5, JRS5H, JRS7 and JRS10

SHALLOW WELL JET PUMPS - 1/2, 3/4 AND 1 HP (60 HZ)

FEATURES

Compact: Design has an integral shallow well jet built into the casing, which eliminates the need for a separate shallow well adapter.

Serviceable:

- Back pullout design allows disassembly of pump for service without disturbing piping.
- Two compartment motor for easy access to motor wiring and replaceable components.
- Nozzle clean out plug in pump case.
- Corrosion resistant, engineered plastic tubing and fittings are easily removed for cleaning. Premium O-ring design fittings need only be hand tight to seal.
- O-ring casing seal

Drain Plug: For ease of winterizing and maintenance.

Seal Housing: Engineered composite. Corrosion and abrasion resistant.

Impeller: F.D.A. compliant, glass filled engineered composite. Corrosion and abrasion resistant.

Diffuser (Guidevane): F.D.A. compliant, injection molded, food grade, glass filled engineered composite for durability and abrasion resistance.

Tubing and Fittings: F.D.A. compliant engineered plastic is corrosion and U.V. resistant.

Powered for Continuous Operation: Pump ratings are within the motor manufacturer's recommended working limits. Can be operated continuously without damage.

Corrosion Resistant: Electro-coat paint process is applied inside and out, then baked on.

Excellent Air Handling Ability: After initial priming the pump has the ability to reprime itself even when air gets into the system. Pumping resumes once the water level rises above the foot valve.

NSF Listed: The first NSF listed jet pumps in the industry. All jet pumps and shallow well components only, deep well components are not listed.

APPLICATIONS

Specifically designed for the following uses:

- Homes
- Cottages
- Booster service

SPECIFICATIONS

Pump:

- Pipe connections: 1¼" suction and 1" discharge
- Pressure switch: AS4 preset (30-50 PSI)
- EPDM elastomers NSF approved

Motor:

- NEMA service factors
- 60 Hz
- ½ - 1 HP, 115/230 V capacitor start
- Single phase
- 3500 RPM
- Built-in overload with automatic reset
- Stainless steel shaft
- Rotation: clockwise when viewed from motor end

Maximum temperature: 140°F.

SYSTEM COMPONENTS

- **Basic Pump Unit:** Includes pump with integral shallow well jet (nozzle and venturi), motor, pressure switch and tubing.

AGENCY LISTINGS



Canadian Standards Association
LR38549



DRINKING WATER
NSF/ANSI 61 & 372

PERFORMANCE RATINGS - SHALLOW WELL

HP/Order No.	½ HP - JRS5					¾ HP - JRS7				1 HP - JRS10				
Nozzle	AN018					AN018				AN018				
Venturi	AD3330					AD3336				AD3339				
Total Suction Lift (feet)	Discharge Pressure - PSI					Discharge Pressure - PSI				Discharge Pressure - PSI				
	20	30	40	50	Max. Shut-off (PSI)	30	40	50	Max. Shut-off (PSI)	30	40	50	60	Max. Shut-off (PSI)
	Gallons per minute					Gallons per minute				Gallons per minute				
5	14.1	13.3	10.5	5.8	64	22.5	17.9	12.4	69	27.0	22.4	15.7	9.6	72
10	12.4	12.0	9.2	4.2	59	20.3	16.3	11.5	65	24.5	20.5	14.8	7.5	69
15	10.5	10.0	8.0	2.4	56	17.8	15.3	9.0	63	21.2	19.2	12.6	5.1	66
20	8.6	8.5	6.6	1.2	53	14.8	13.6	7.3	61	17.6	16.8	11.1	3.3	63
25	6.7	6.5	5.0	0.6	51	11.5	10.8	5.2	58	13.4	13.0	8.7	-	61

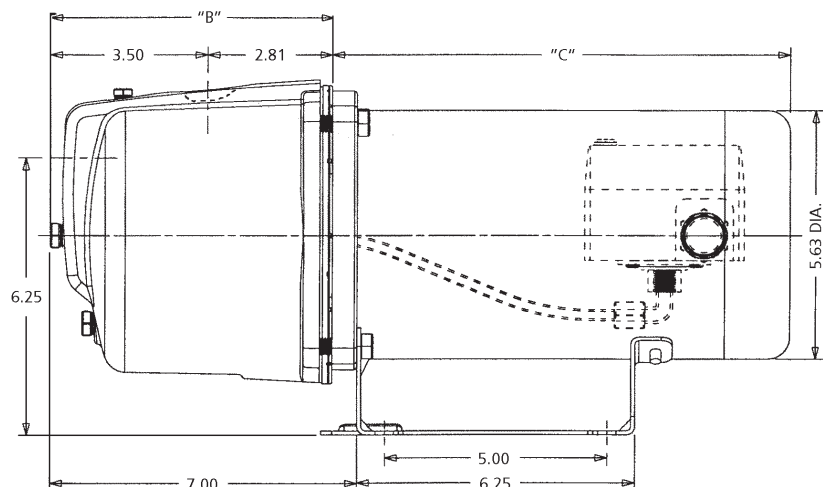
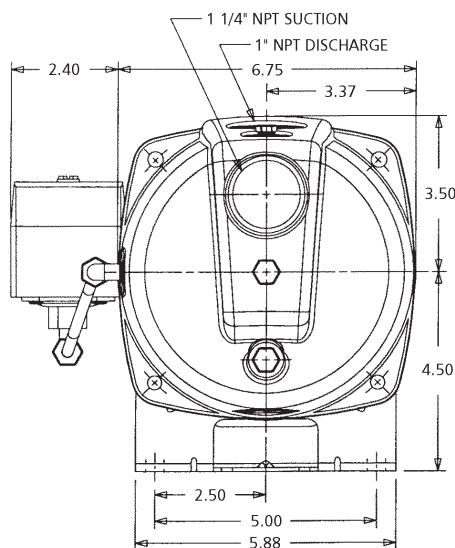
PERFORMANCE RATINGS - SHALLOW WELL, HIGH PRESSURE

HP/Order No.	½ HP - JRS5H							
Nozzle	AN020							
Venturi	AD3325							
Total Suction Lift (feet)	Discharge Pressure - PSI							
	20	30	40	50	60	70	80	Max. Shut-off (PSI)
	Gallons per minute							
5	6.7	6.4	6.2	5.8	4.2	2.5	0.8	84
10	5.8	5.6	5.3	5.1	3.7	2.0	NA	82
15	4.8	4.7	4.6	4.5	3.3	1.5	NA	79
20	4.0	3.8	3.7	3.6	3.1	1.3	NA	75
25	3.0	2.9	2.9	2.8	2.3	0.8	NA	74

DIMENSIONS AND WEIGHTS

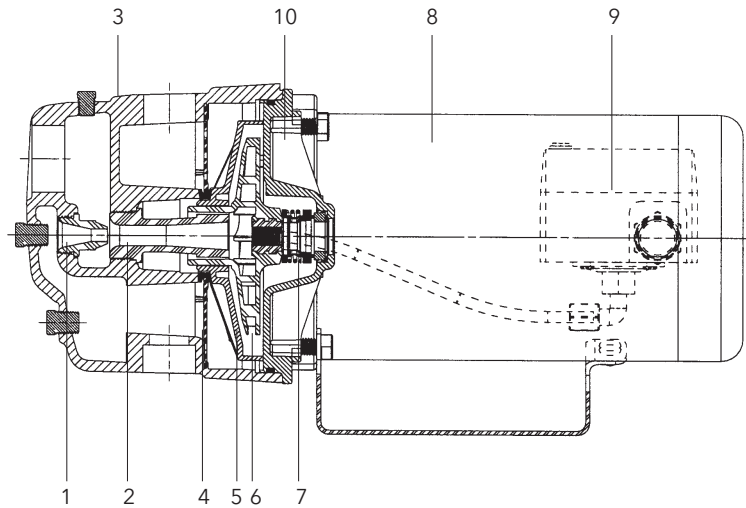
Order No.	HP	(Inches)				Wt. (lbs.)
		"C" Max.	"B" Max.	Width	Height	
JRS5(H)	½	10.81	6.31	9.15	8.0	37
JRS7	¾	11.56				42
JRS10	1	11.81				47

Do not use for construction purposes.



COMPONENTS

Item No.	Description
1	Nozzle
2	Venturi
3	Cast Iron Casing
4	Separator plate
5	Diffuser (Guidevane)
6	Impeller
7	Mechanical seal
8	Motor
9	Pressure switch
10	Seal housing



xylem
Let's Solve Water

Xylem Inc.
Phone: (866) 325-4210
Fax: (888) 322-5877
www.xylem.com/goulds

Goulds is a registered trademark of Goulds Pumps, Inc. and is used under license.
© 2020 Xylem Inc. BJRS R1 May 2020