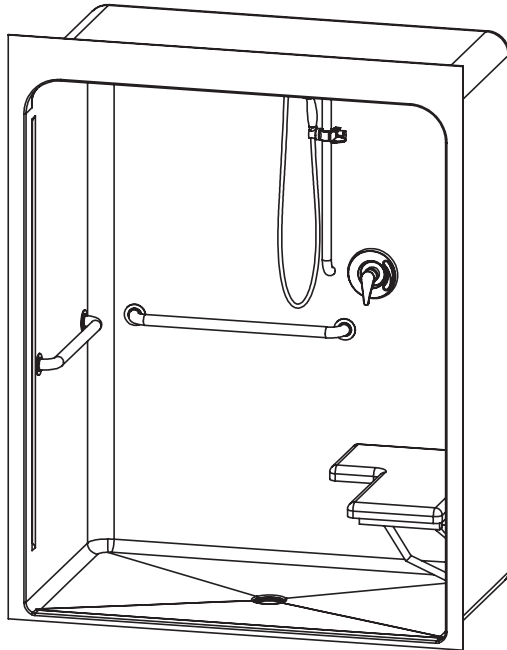


# 6036BFSC – ACCESSIBLE SHOWERS

inches

Interior: 60 x 36 x 79

Exterior: 65 x 37 x 83 ½



## FEATURES

- Premium cast acrylic surface
- 1" skirt
- No interior threshold
- Barrier free when properly installed
- Smooth wall
- Center drain
- Integral dome
- 5-year limited warranty

## OPTIONS

- Grab bars
- Molded seat
- Fold-up seat
- Hand-held shower assembly with slide bar
- Pressure balancing mixing valve
- Soap dish
- Curtain rod and/or shower curtain
- Dome light

## CODE COMPLIANCE

- ADA
- FHA
- ICC/ANSI A117.1
- TAS
- IAPMO Z124-2011
- HUD UM73a
- CAN/CSA-B651-04
- CSA-B45-11

\*\*Code compliant when fully equipped and installed according to guidelines.

## AQUATIC ADVANTAGE

- National distribution
- 6 manufacturing facilities
- Private fleet
- Centralized customer service
- Field support

## COLOR & TRIM OPTIONS

Stock	Upgraded
White	Biscuit

\*\*Additional custom colors available.  
(Contact Customer Service)



Aquatic products may be specified as Lasco Bathware.



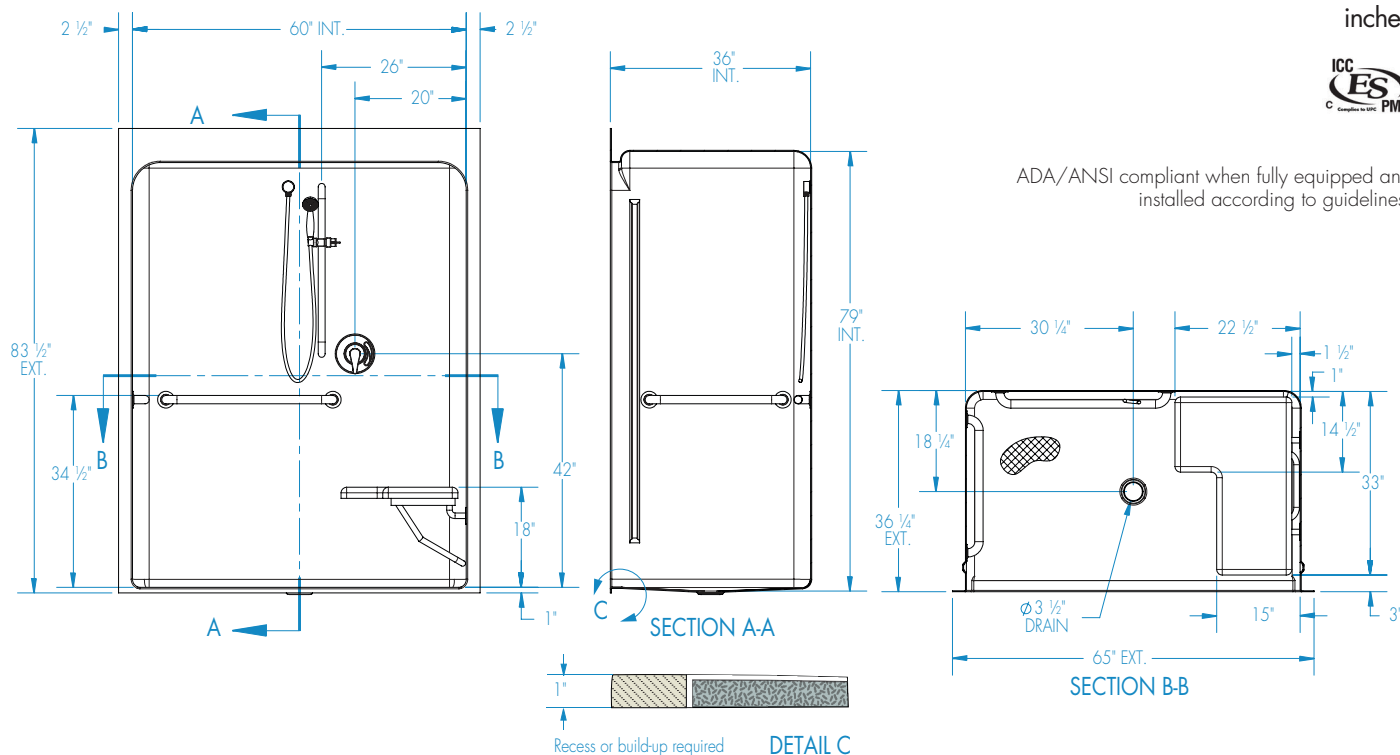
Aquatic products may be specified as Lasco Bathware.

# 6036BFSC

Interior: 60 x 36 x 79  
Exterior: 65 x 37 x 83 ½  
inches



ADA/ANSI compliant when fully equipped and installed according to guidelines.



## FEATURES

Dimensional Tolerance  $\pm \frac{3}{8}$ ". Dimensions needed for site preparation should be measured from the unit. Aquatic assumes no responsibility for preparatory work.

Type and Model #	Material	Wall Finish	Pieces	Drain	Dam/Skirt Height	Net Wt. lbs	Pkg. Wt. lbs
Shower #6036BFSC	Cast Acrylic	Smooth	1	Center	1" skirt, NO interior threshold	210	220

## DIMENSIONS

Specifications	inches
Width: Overall / Net	65 / 60
Depth: Overall / Net	37 / 36
Height: Overall / Net	83 ½ / 79
Enclosure Opening:	60
Skirt Height:	1
Drain Rough-In (from Back Wall)	19
Drain Rough-In (from Side Wall)	32 ½

## FRAMING DIMENSIONS inches

Type	D Depth	W Width	H Height	A	B	C
Alcove	37	65 ½	-	Box Out	32 ½	19

