

▶ FEATURES

- + Ships with MERV 11 filter
- + Can be upgraded to MERV 13 filter with simple filter change
- + Minimal maintenance required — filter lasts up to one year
- + Made of corrosion-resistant heavy gauge galvanized steel
- + Proprietary door design and Self-Seal™ media virtually eliminates air bypass, delivering MERV performance as rated
- + UL listed air purifier
- + UL classified filters
- + Load rated up to 400 lbs.
- + 5-year warranty on cabinet from date of installation



▶ BENEFITS

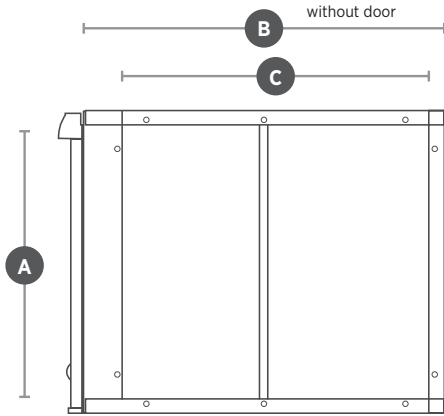
- + Offers equipment protection from dust buildup
- + Assured equipment performance
- + Superior performance over one-inch panel filters and four-inch cartridge filters

PRODUCT SPECIFICATIONS

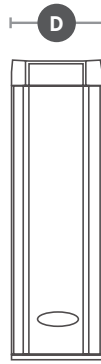
Nominal Size (In Inches)	Shipping Weight	MERV 11				MERV 13					
		Replacement Filter	Resistance @ Airflow Volume (in. w.c. @ CFM)		Shipping Weight (full carton)	Filtering Area	Replacement Filter	Resistance @ Airflow Volume (in. w.c. @ CFM)		Shipping Weight (full carton)	Filtering Area
25 x 20	18 lbs.	Model 910	.03"@400 .12"@1200		28 lbs.	25.9 sq. ft.	Model 913	.04"@400 .17"@1200		28 lbs.	25.9 sq. ft.
			.05"@600 .15"@1400					.07"@600 .22"@1400			
			.07"@800 .18"@1600					.10"@800 .25"@1600			
			.09"@1000 .22"@1800					.13"@1000 .30"@1800			
			.27"@2000					.35"@2000			

REMOVAL EFFICIENCY (Based on Particle Size)			
	0.3-1.0 Microns	1.0-3.0 Microns	3.0-10 Microns
MERV 11	37%	67%	92%
MERV 13	63%	88%	93%

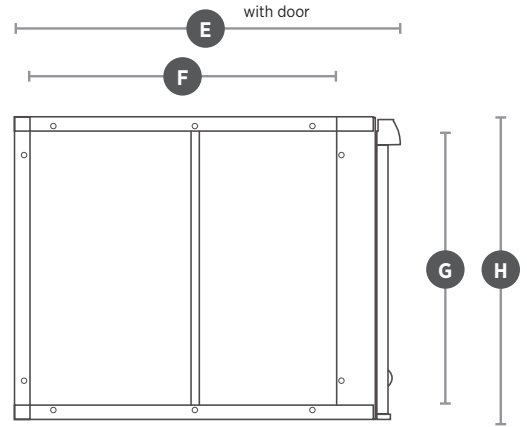
Inlet Side Return Duct Connection



Front



Outlet Side Furnace Connection



Dim.	Description	Model 1910
A	Inlet Opening Height	22 $\frac{3}{4}$ " (578mm)
B	Outer Housing Depth without Door	20 $\frac{1}{16}$ " (510mm)
C	Inlet Opening Width	15 $\frac{7}{8}$ " (403mm)
D	Unit Width	6 $\frac{3}{4}$ " (171mm)
E	Outer Housing Depth with Door & Clips	22 $\frac{1}{16}$ " (560mm)
F	Outlet Opening Width	15 $\frac{7}{8}$ " (403mm)
G	Outlet Opening Height	22 $\frac{3}{4}$ " (578mm)
H	Unit Height at Back	25 $\frac{1}{16}$ " (637mm)

REPLACEMENT FILTERS

REPLACEMENT FILTERS		
Model 1910	Aprilaire Part No. 910 Aprilaire Part No. 913	MERV 11 MERV 13