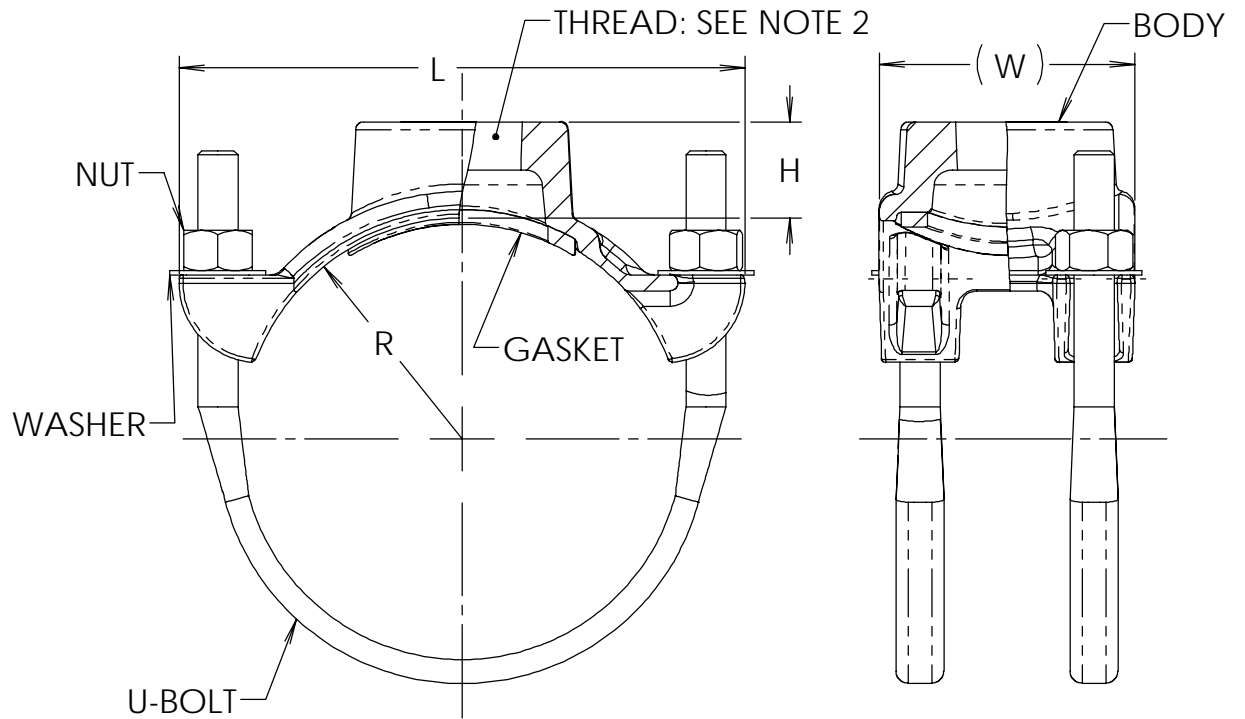



DIMENSIONS					
NOM. SIZE	PIPE OD RANGE	L	R	H	W
2"	2.38 - 3.50	4.88	1.25	1.35	3.31
3"	3.50	5.94	1.75	1.35	3.31
	3.45 - 4.05	6.38	2.21	1.35	3.31
4"	4.00 - 4.50	6.94	2.25	1.50	4.00
	4.50 - 4.80	7.00	2.40	1.50	4.00
	4.50 - 5.40	7.63	2.70	1.50	4.00
6"	6.00 - 6.63	8.75	3.32	1.50	4.00
	6.63 - 6.90	8.81	3.45	1.50	4.00
	6.63 - 7.60	9.50	3.80	1.50	4.00
8"	8.00 - 8.63	11.19	4.32	1.50	4.00
	8.63 - 9.05	11.13	4.53	1.50	4.00
	8.63 - 9.80	11.81	4.90	1.50	4.00
10"	10.00 - 10.75	13.75	5.38	1.50	4.00
	10.75 - 11.10	13.06	5.55	1.50	4.00
	11.10 - 12.12	14.19	6.06	1.50	4.00
12"	12.00 - 12.75	16.56	6.38	1.50	4.00
	12.75 - 13.20	16.19	6.60	1.50	4.00
	13.20 - 14.38	16.31	7.19	1.50	4.00



NOTE:

1. BODY: DUCTILE IRON PER ASTM A536 GRD 65-45-12.
2. THREAD: "IP" (NPT) OR "CC" PER AWWA C800 AVAILABLE.
3. GASKET: NITRILE BUTADIENE RUBBER (NBR) PER ASTM D2000 MBC 610.
4. COATING: SHOPCOAT ENAMEL
5. U-BOLT:
 - ELECTRO-GALVANIZED WITH FLAT WASHERS AND HEAVY HEX NUTS
 - 1-1/2" THROUGH 3" SIZES, 1/2"-NC ROLL THREAD, MILD STEEL.
 - 4" AND LARGER SIZES, 5/8"-NC ROLL THREAD, HIGH STRENGTH LOW ALLOY STEEL STRAP, MEETING AWWA C111 COMPOSITION SPECIFICATIONS.

THIS DRAWING CONTAINS CONFIDENTIAL PROPRIETARY INFORMATION AND IS THE PROPERTY OF ROMAC IND. INC. IT IS TO BE USED ONLY FOR THE PURPOSE FOR WHICH IT IS SUBMITTED AND SHALL NOT HAVE ITS INFORMATION DISCLOSED OR REPRODUCED IN WHOLE OR IN PART FOR ANY PURPOSE WITHOUT PRIOR WRITTEN PERMISSION OF ROMAC IND. INC.

UNLESS OTHERWISE SPECIFIED	SIGNATURES			ROMAC INDUSTRIES INC., BOTHELL, WA	
	DIMENSIONS ARE IN INCHES TOLERANCES ARE ON: yes 1 PL DECIMALS +/- 2 PL DECIMALS +/- 3 PL DECIMALS +/- ANGLES +/- FRACTIONS +/-	DRWN		CHECKED	TITLE
	SIZE	DWG. NO.	REV. NO.		
	A	B2621-A	-		
	SCALE	SHEET 1 OF 1			
	1:3				