

Home Care Technical Specification

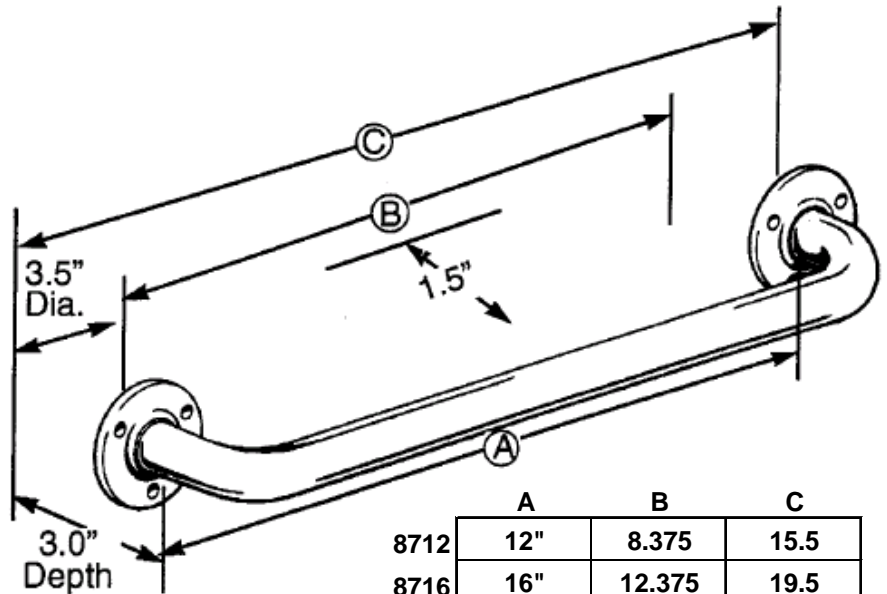
1 1/4" Grab Bars – Concealed Screw

8700

Stock Numbers:

- q **DN8712 – 12" Grab Bar**
Satin Finish, 1 1/4" Bar,
Concealed Screw Mounting
- q **8716CB, R8716PB – 16" Grab Bar**
Chrome & Brass or Polished Brass Finish,
1 1/4" Bar, Concealed Screw Mounting
- q **8718, R8718PS, R8718PB, R8718W – 18" Grab Bar**
Satin, Polished Stainless, Polished Brass,
or White Finish, 1 1/4" Bar,
Concealed Screw Mounting
- q **8724, R8724PS, 8724CB, R8724PB,
R8724W – 24" Grab Bar**
Satin, Polished Stainless, Chrome &
Brass, Polished Brass, or White Finish,
1 1/4" Bar, Concealed Screw Mounting
- q **8730 – 30" Grab Bar**
Satin Finish, 1 1/4" Bar,
Concealed Screw Mounting
- q **8732 – 32" Grab Bar**
Satin Finish, 1 1/4" Bar,
Concealed Screw Mounting
- q **R8736PS, R8736PB, R8736W – 36" Grab Bar**
Polished Stainless, Polished Brass or
White Finish, 1 1/4" Bar,
Concealed Screw Mounting
- q **8742, R8742PS – 42" Grab Bar**
Satin or Polished Stainless Finish,
1 1/4" Bar, Concealed Screw Mounting
- q **8748 – 48" Grab Bar**
Satin Finish, 1 1/4" Bar,
Concealed Screw Mounting

Dimensions:



	A	B	C
8712	12"	8.375	15.5
8716	16"	12.375	19.5
8718	18"	14.375	21.5
8724	24"	20.375	27.5
8730	30"	26.375	33.5
8732	32"	28.375	35.5
8736	36"	32.375	39.5
8742	42"	38.375	45.5
8748	48"	44.375	51.5

Installation Instructions:

1. Position unit on wall in desired location.
2. Mark mounting holes.
3. Drill starter holes.
4. Mount unit on wall using 2 1/4" screws (provided).
5. Snap flange covers into place.

Note: Wood blocking is preferable behind all wall surfaces. If wood blocking is not available, the following optional fasteners are suggested: Tile/Masonry – Plastic or Lead Anchors; Plaster/Drywall – Toggle Bolts.

Materials:

1 1/4" Grab Bar rods are formed from 18-gauge (.049) type 304 stainless steel tubing.

Stock Number: _____ 1 1/4" Grab Bars
By CSI Bath Furnishings

