

Home Care Technical Specification

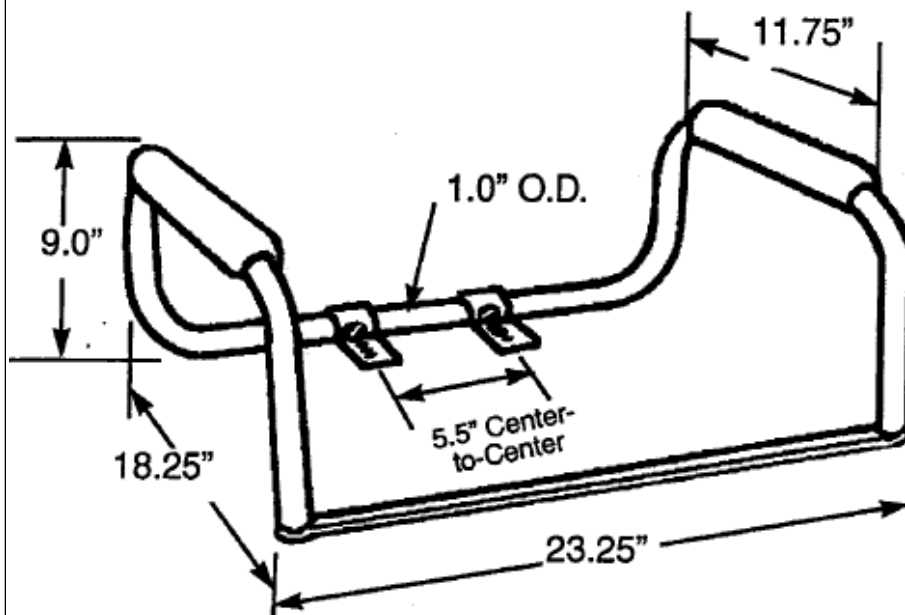
Toilet Safety Rail

DN7015

Stock Numbers:

- q **DN7015 – Toilet Safety Rail**
White
Photo Box Packaging with Handle

Dimensions:



Materials:

ASSEMBLY TESTED
TO CONFIRM ADA
COMPLIANCE



Toilet Safety Rail is made from anodized aluminum with a powder coated white finish. Armrests are high impact molded white polyethylene.

WARNING

This product has a maximum user weight of 250lbs. Contact CSI Customer Service immediately at 1-800-882-0116 if any components are damaged or missing. Making substitutions or modifying this product in any way will void your warranty. CSI assumes no liability for any damage or injury caused by improper assembly, installation or use of this product.

Installation Instructions:

1. Connect armrest at back inserting left hand sleeve into right hand tubing.
2. Connect armrest at front fastening flat bar to open ends of right and left tubing with 1 ½" slotted screws provided.
3. Add mounting brackets. Place grooved bracket over tubing at the back of toilet safety rail so that the tabs are pointing toward the flat bar at front. Align slots with holes in tubing with 1" screws provided.
4. Remove toilet seat. Unscrew toilet seat bolts nuts at the rear underside of toilet bowl. Remove bolts and seat.
5. Position safety bar. Place assembled toilet safety rail directly on toilet bowl with flat bar to the front. The flat bar should not be hanging over the front rim of the bowl.
6. Position clamps. Place bar clamps so that they are over the tubing and align with the toilet seat mounting holes.
7. Re-attach seat. Place toilet seat in position over toilet safety rail so that mounting holes of seat, safety rail and toilet are aligned. Insert toilet seat mounting bolts and tighten bolt nuts.

Stock Number: _____ Toilet Safety Rail
By CSI Bath Furnishings



25300 AL MOEN DRIVE • NORTH OLMSTED, OH 44070 (800) 321-8809 •
FAX: (800) 848-6636 • INTERNATIONAL: (440) 962-2000 •
FAX: (440) 962-2726 CUSTOMER SERVICE (USA): 800-882-0116
©Copyright CSI Bath Furnishing Division of Moen 02/22/01