

# Home Care Technical Specification

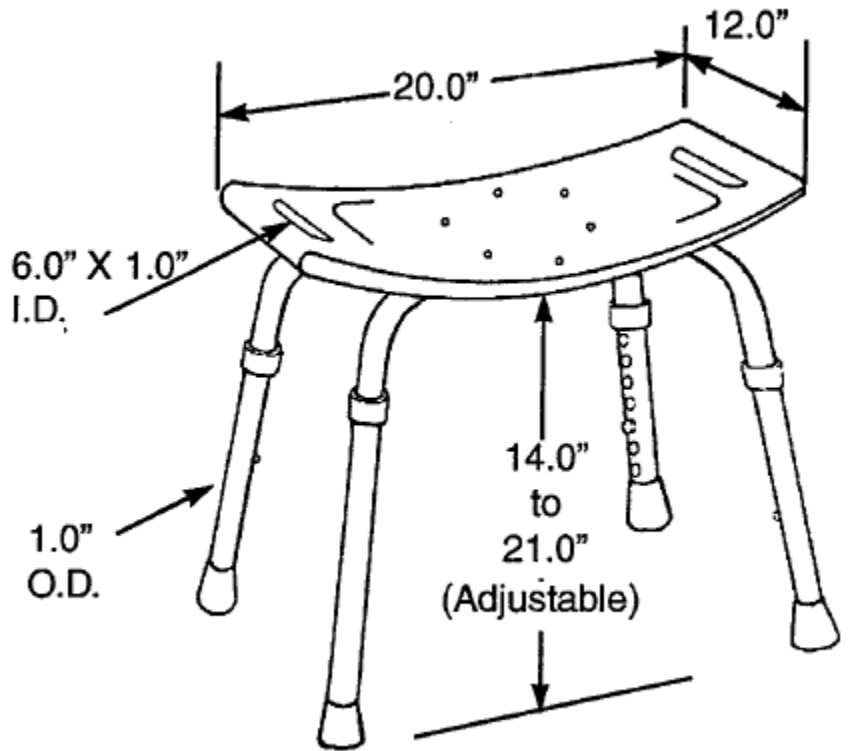
## Adjustable Tub/Shower Seat

DN7025

### Stock Numbers:

- q DN7025 – Adjustable Tub/Shower Seat  
White w/ Polished Aluminum  
Adjustable 14.0" to 21.0"  
Photo Box Packaging with Handle

### Dimensions:



### Materials:

ASSEMBLY TESTED  
TO CONFIRM ADA  
COMPLIANCE



**Adjustable Tub/Shower Seat** is made from high impact polypropylene. Legs are polished anodized aluminum. Feet are gray rubber.

#### WARNING

This product has a maximum user weight of 250lbs. Do not jump or stand on this seat. Contact CSI Customer Service immediately at 1-800-882-0116 if any components are damaged or missing. Making substitutions or modifying this product in any way will void your warranty. CSI assumes no liability for any damage or injury caused by improper assembly, installation or use of this product.

### Installation Instructions:

1. Position legs. Place leg "1" into groove "1" of the plastic seat panel so that the number "1" marks are next to each other. Then place leg "2" into groove "2", over leg "1" so that the number "2" marks are next to each other.
2. Attach legs. Insert a 1 1/2" screw through a washer and the center hole of the legs and seat. Tighten several turns. Insert remaining four screws through washers into the four leg holes. Tighten all five screws fully. Test seat. Retighten as needed.
3. Adjust leg height. Push in button on leg, slide leg to desired height and allow button to pop out and lock leg in place. Repeat for each leg, making sure all four are adjusted to the same height.

**Stock Number:** \_\_\_\_\_ Adjustable Tub/Shower Seat  
By CSI Bath Furnishings

