

Economy Technical Specification

Towel Bars

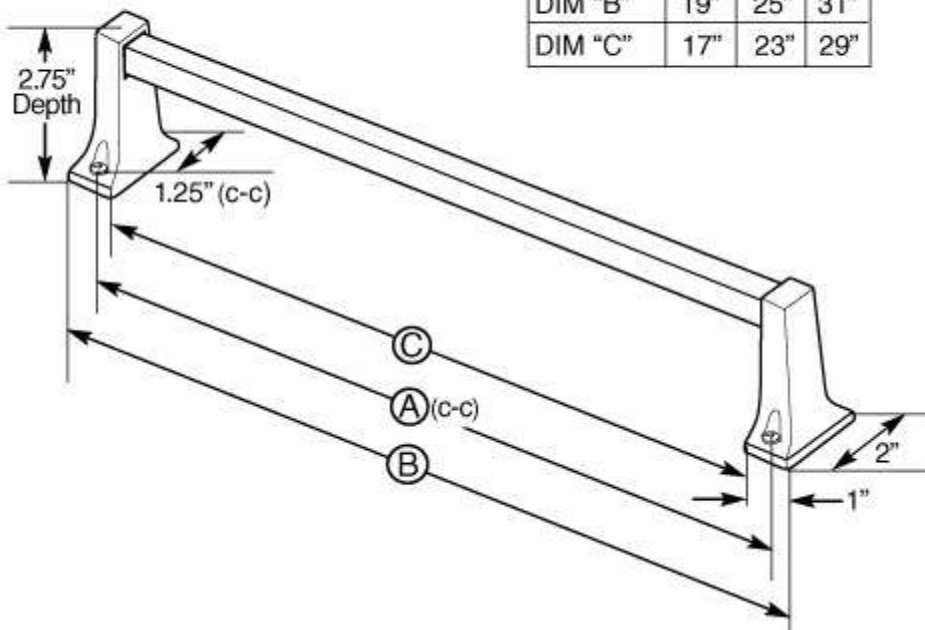
910, 910A, 25818, 25824

Stock Numbers:

- ❑ **910 – Towel Bar Posts (Pair)**
Polished Chrome Finish, 5/8" Square
- ❑ **910A18 – 18" Towel Bar**
Polished Chrome Finish, Metal Body, 5/8" Square Bar, Exposed Screw Mounting
- ❑ **25818A - 18" Bar Only**
Polished Chrome Finish, 5/8" Square
- ❑ **910A24 – 24" Towel Bar**
Polished Chrome Finish, Metal Body, 5/8" Square Bar, Exposed Screw Mounting
- ❑ **25824A - 24" Bar Only**
Polished Chrome Finish, 5/8" Square

Dimensions:

LENGTH	18"	24"	30"
DIM "A"	18"	24"	30"
DIM "B"	19"	25"	31"
DIM "C"	17"	23"	29"



Materials:

Towel Bars are die cast from highest quality zinc alloy (zamac) or injection molded with plastic. Castings are triple plated with a polished brass or polished chrome finish. Bar is polished aluminum.

Installation Instructions:

1. Place unit on wall in desired location.
2. Mark location of holes. Drill starter holes.
3. Attach unit to wall with 1 1/2" screws (provided).

Note: Wood blocking is preferable behind all wall surfaces.

If wood blocking is not available, the following optional fasteners are suggested: Tile/Masonry – Plastic or Lead Anchors; Plaster/Drywall – Toggle Bolts.

Cleaning Instructions:

To preserve the fine finish of this product, clean only with a soft damp cloth. Dry well. Do not use commercial or abrasive cleaners.

Stock Number: _____ **Towel Bar**
By Creative Specialties



25300 AL MOEN DRIVE • NORTH OLMSTED, OH 44070
CORPORATE HEADQUARTERS: (800) 321-8809 • FAX: (800) 848-6636
INTERNATIONAL: (440) 962-2000 • FAX: (440) 962-2726
CUSTOMER SERVICE (USA): 800-882-0116 • FAX: (888) 379-2720
WWW.MOEN.COM

©Copyright Creative Specialties International

Literature #BA1638