

Home Care Technical Specification

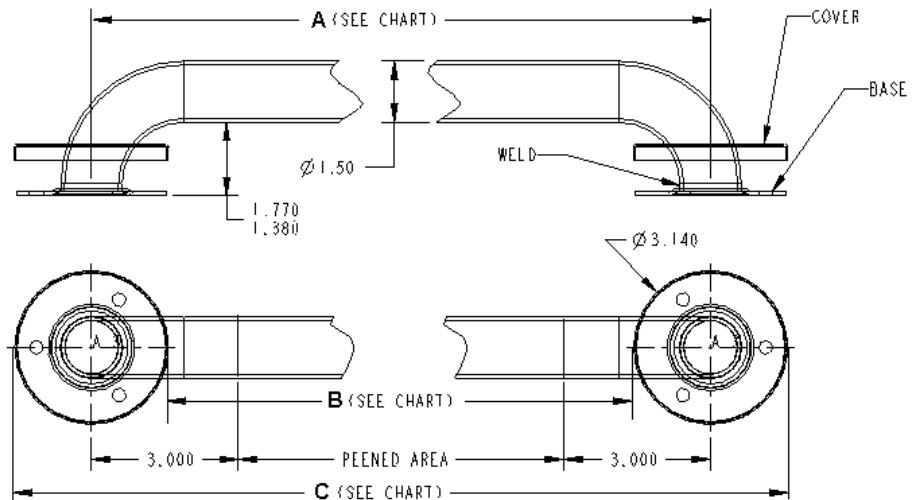
1 1/2" Peened Grab Bar – Concealed Screw

R8900

Stock Numbers:

- q **R8912P – 12" Grab Bar**
Stainless Steel Peened Finish
Concealed Screw Mounting
1 1/2" Diameter Bar
- q **R8918P – 18" Grab Bar**
Stainless Steel Peened Finish
Concealed Screw Mounting
1 1/2" Diameter Bar
- q **R8924P – 24" Grab Bar**
Stainless Steel Peened Finish
Concealed Screw Mounting
1 1/2" Diameter Bar
- q **R8930P – 30" Grab Bar**
Stainless Steel Peened Finish
Concealed Screw Mounting
1 1/2" Diameter Bar
- q **R8936P – 36" Grab Bar**
Stainless Steel Peened Finish
Concealed Screw Mounting
1 1/2" Diameter Bar
- q **R8942P – 42" Grab Bar**
Stainless Steel Peened Finish
Concealed Screw Mounting
1 1/2" Diameter Bar

Dimensions:



	Dim. A	Dim. B	Dim. C
R8912P	12.00	8.86	15.14
R8918P	18.00	14.86	21.14
R8924P	24.00	20.86	27.14
R8930P	30.00	26.86	33.14
R8936P	36.00	32.86	39.14
R8942P	42.00	38.86	45.14

Materials:

Peened grab bar rods are formed from 18-gauge (.049) type 304 stainless steel tubing with a satin finish.

Compliance:

- ADA Compliant
- Tested to 300 lbs. pull

Installation Instructions:

1. All screws must mount firmly into a wood stud.
2. Place the grab bar on the wall in the desired location. Use a level, if desired, to verify placement.
3. With a pencil, lightly mark the (6) mounting hole locations.
4. Mounting unit on wall using the #10 2" screws (provided).
5. Snap flange covers into place.

Stock Number: _____ Grab Bar
By CSI Bath Furnishings



25300 AL MOEN DRIVE • NORTH OLMSTED, OH 44070 (800) 321-8809 •
FAX: (800) 848-6636 • INTERNATIONAL: (440) 962-2000 •
FAX: (440) 962-2726 CUSTOMER SERVICE (USA): 800-882-0116

©Copyright CSI Bath Furnishing Division of Moen 02/22/01