

Home Care Technical Specification

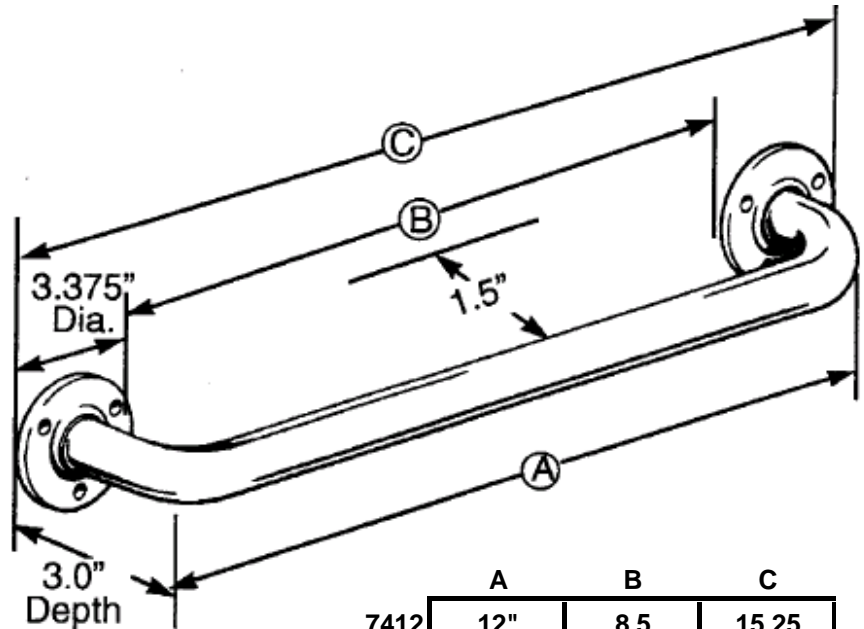
1 1/4" Grab Bars – Exposed Screw

7400

Stock Numbers:

- q **7412 – 12" Grab Bar**
Satin Finish
1 1/4" Bar
Exposed Screw Mounting
- q **R7418 – 18" Grab Bar**
Satin Finish
1 1/4" Bar
Exposed Screw Mounting
- q **R7424 – 24" Grab Bar**
Satin Finish
1 1/4" Bar
Exposed Screw Mounting
- q **R7432 – 32" Grab Bar**
Satin Finish
1 1/4" Bar
Exposed Screw Mounting
- q **R7436 – 36" Grab Bar**
Satin Finish
1 1/4" Bar
Exposed Screw Mounting
- q **R7442 – 42" Grab Bar**
Satin Finish
1 1/4" Bar
Exposed Screw Mounting
- q **7448 – 48" Grab Bar**
Satin Finish
1 1/4" Bar
Exposed Screw Mounting

Dimensions:



	A	B	C
7412	12"	8.5	15.25
7418	18"	14.5	21.25
7424	24"	20.5	27.25
7432	32"	28.5	35.25
7436	36"	32.5	39.25
7442	42"	38.5	45.25
7448	48"	44.5	51.25

Materials:

1 1/4" Grab Bar rods are formed from 18-gauge (.049) type 304 stainless steel tubing with a satin finish.

Installation Instructions:

1. Position unit on wall in desired location.
 2. Mark mounting holes.
 3. Drill starter holes.
 4. Mount unit on wall using 2 1/4" screws (provided).
- Note: Wood blocking is preferable behind all wall surfaces. If wood blocking is not available, the following optional fasteners are suggested: Tile/Masonry – Plastic or Lead Anchors; Plaster/Drywall – Toggle Bolts.

Stock Number: _____ 1 1/4" Grab Bars
By CSI Bath Furnishings

