

# Economy Technical Specification

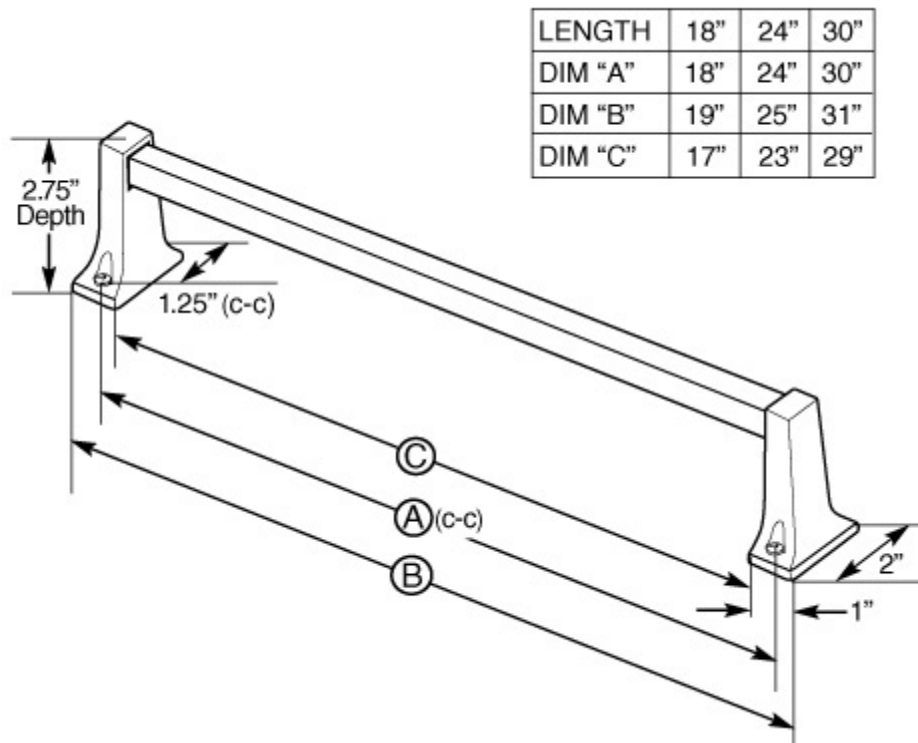
## Towel Bars

910, 1910

### Stock Numbers:

- q **R910A18 – 18" Towel Bar**  
Polished Chrome Finish, Plastic Body, 5/8" Square Bar, Exposed Screw Mounting
- q **910A18 – 18" Towel Bar**  
Polished Chrome Finish, Metal Body, 5/8" Square Bar, Exposed Screw Mounting
- q **1910A18PB – 18" Towel Bar**  
Polished Brass Finish, Plastic Body, 5/8" Square Bar, Exposed Screw Mounting
- q **025818A - 18" Bar Only**  
Polished Chrome Finish, 5/8" Square
- q **0258A18PB – 18" Bar Only**  
Polished Brass Finish, 5/8" Square
- q **R910A24 – 24" Towel Bar**  
Polished Chrome Finish, Plastic Body, 5/8" Square Bar, Exposed Screw Mounting
- q **910A24 – 24" Towel Bar**  
Polished Chrome Finish, Metal Body, 5/8" Square Bar, Exposed Screw Mounting
- q **1910A24PB – 24" Towel Bar**  
Polished Brass Finish, Plastic Body, 5/8" Square Bar, Exposed Screw Mounting
- q **025824A - 24" Bar Only**  
Polished Chrome Finish, 5/8" Square
- q **0258A24PB – 24" Bar Only**  
Polished Brass Finish, 5/8" Square
- q **R910A30 – 30" Towel Bar**  
Polished Chrome Finish, Plastic Body, 5/8" Square Bar, Exposed Screw Mounting
- q **025830A - 30" Bar Only**  
Polished Chrome Finish, 5/8" Square
- q **910 – Towel Bar Posts (Pair)**  
Polished Chrome Finish, 5/8" Square
- q **1910PB – Towel Bar Posts (Pair)**  
Polished Brass Finish, 5/8" Square

### Dimensions:



### Installation Instructions:

1. Place unit on wall in desired location.
2. Mark location of holes. Drill starter holes.
3. Attach unit to wall with 1 1/2" screws (provided).

Note: Wood blocking is preferable behind all wall surfaces.

If wood blocking is not available, the following optional fasteners are suggested: Tile/Masonry – Plastic or Lead Anchors; Plaster/Drywall – Toggle Bolts.

### Materials:

Towel Bars are die cast from highest quality zinc alloy (zamac) or injection molded with plastic. Castings are triple plated with a polished brass or polished chrome finish. Bar is polished aluminum.

### Cleaning Instructions:

To preserve the fine finish of this product, clean only with a soft damp cloth. Dry well. Do not use commercial or abrasive cleaners.

Stock Number: \_\_\_\_\_ Towel Bar  
By CSI Bath Furnishings

