

Home Care Technical Specification

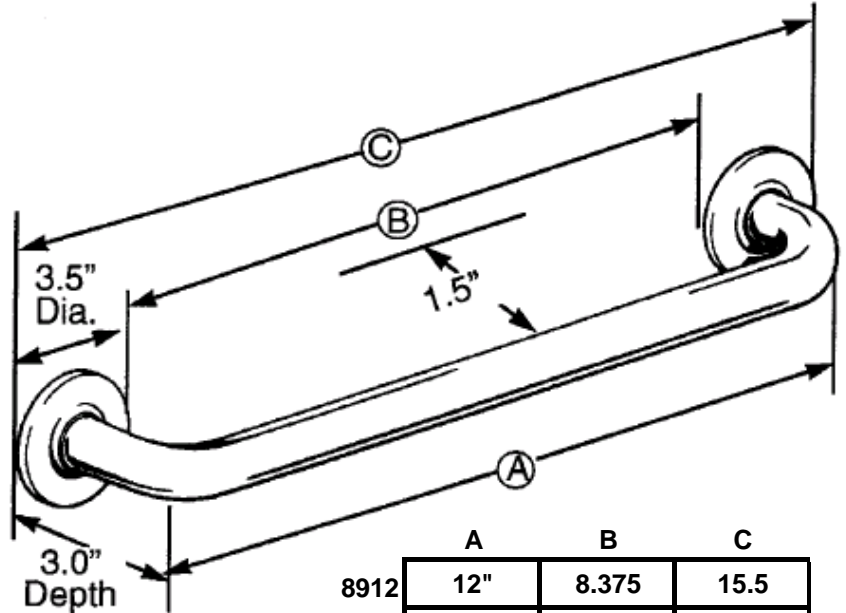
1 1/2" Grab Bars – Concealed Screw

8900

Stock Numbers:

- q **8912 – 12" Grab Bar**
Satin Finish
1 1/2" Bar, Concealed Screw Mounting
- q **R8918, R8918W – 18" Grab Bar**
Satin or White Finish
1 1/2" Bar, Concealed Screw Mounting
- q **R8924, R8924W – 24" Grab Bar**
Satin or White Finish
1 1/2" Bar, Concealed Screw Mounting
- q **DN8930, 8930W – 30" Grab Bar**
Satin or White Finish
1 1/2" Bar, Concealed Screw Mounting
- q **8932 – 32" Grab Bar**
Satin Finish
1 1/2" Bar, Concealed Screw Mounting
- q **R8936, R8936W – 36" Grab Bar**
Satin or White Finish
1 1/2" Bar, Concealed Screw Mounting
- q **8942, R8942W – 42" Grab Bar**
Satin or White Finish
1 1/2" Bar, Concealed Screw Mounting
- q **DN8948 – 48" Grab Bar**
Satin Finish
1 1/2" Bar, Concealed Screw Mounting

Dimensions:



	A	B	C
8912	12"	8.375	15.5
8918	18"	14.375	21.5
8924	24"	20.375	27.5
8930	30"	26.375	33.5
8932	32"	28.375	35.5
8936	36"	32.375	39.5
8942	42"	38.375	45.5
8948	48"	44.375	51.5

Materials:

1 1/2" Grab Bar rods are formed from 18-gauge (.049) type 304 stainless steel tubing with a satin or white powder coated finish.

Installation Instructions:

1. Position unit on wall in desired location.
2. Mark mounting holes.
3. Drill starter holes.
4. Mount unit on wall using 2 1/4" screws (provided).
5. Snap flange covers into place.

Note: Wood blocking is preferable behind all wall surfaces. If wood blocking is not available, the following optional fasteners are suggested: Tile/Masonry – Plastic or Lead Anchors; Plaster/Drywall – Toggle Bolts.

Stock Number: _____ 1 1/2" Grab Bars
By CSI Bath Furnishings

