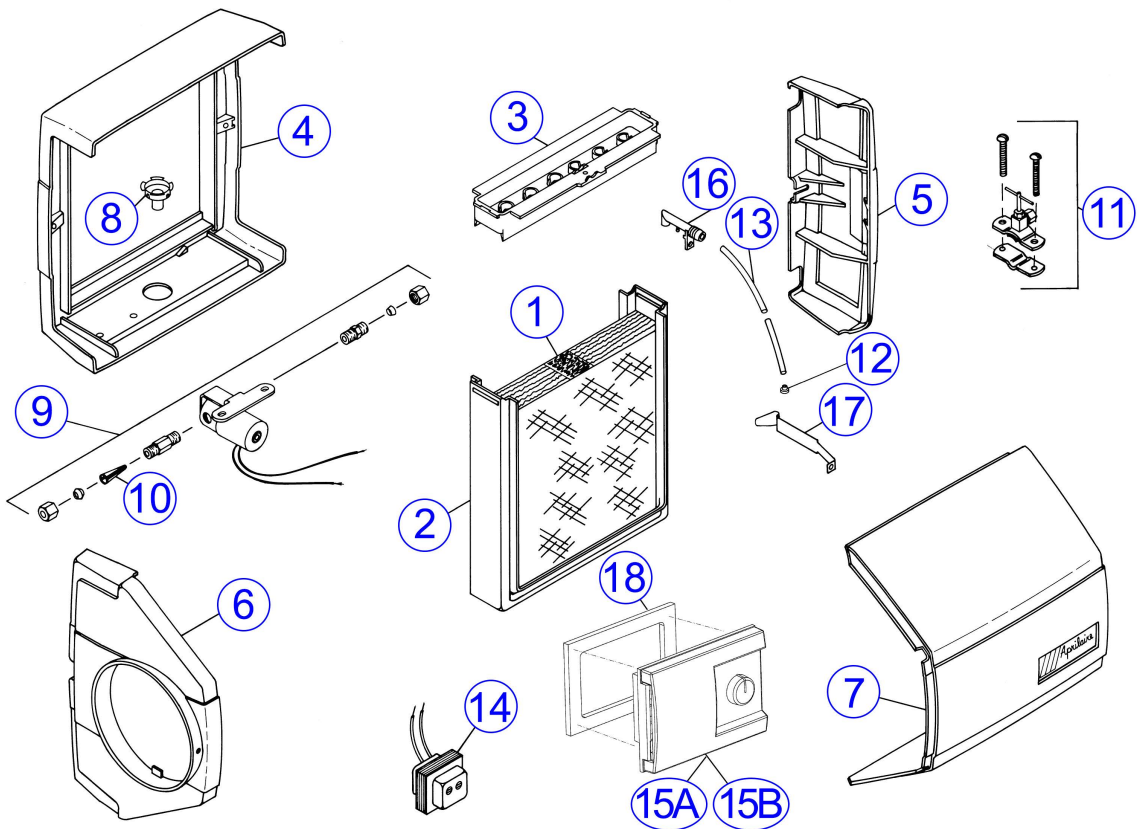


Aprilaire Model 568 Humidifier Parts List



NO.	PART NAME	QTY/CTN	PART NO.
1	Water Panel® Evaporator	10	35
2	Scale Control Insert	(4217-10) (4236-12)	4236
3	Water Distribution Tray	1	4277
4	Base	1	4262
5	End Panel	1	4263
6	Duct Panel	1	4264
6	Duct Panel for Integral Damper	1	N/A
7	Cover With Latch And Label	1	4265
8	Drain Spud	6	4223
9	Water Solenoid Valve (24 Volt)	1	4040
10	In-Line Strainer	12	4004
11	Saddle Valve	1	4001
12	Orifice (Yellow)	144 (12-12 pks.)	4231
13	Feed Tube with Strainer, Orifice, Compression Sleeve and Nut	1	4266
14	Transformer	1	4010
15A	Automatic Humidifier Control	1	56
15B	Manual Humidistat	1	4655
16	Nozzle	1	4184
17	Cover Latch Spring	1	4225
18	Automatic Humidifier Control Gasket	1	4305
OTHER PARTS		QTY/CTN	PART NO.
	Outdoor Temperature Sensor	1	8052
	Current Sensing Relay	1	50
	Saddle Valve Adapter	6	4229
	Shock Arrestor	1	4280
	Damper Assembly	1	N/A
	Maintenance Kits (includes parts 10, 4226, 4231, 4004, 4217, 4218 and 4223)	1	N/A
	Maintenance Kits (includes parts 35, 4266, 4231, 4004, 4236, 4277 and 4223)	1	4837
	Blower Activation Relay	10	4851