

DURABASE[®]

MOP SERVICE BASINS



SPECIFICATIONS:

THREE SIZES:

- 24" x 24" x 8 1/4" - PN. 62.101
- 24" x 24" x 10" - PN. 63.102
- 24" x 36" x 10" - PN. 65.102

THREE MODELS:

- MODEL NO. 62M... 24" x 24" x 8 1/4" w/Molded Drain Body & 3" Drain Seal
- MODEL NO. 63M... 24" x 24" x 10" w/Molded Drain Body & 3" Drain Seal
- MODEL NO. 65M... 24" x 36" x 10" w/Molded Drain Body & 3" Drain Seal

FEATURES:

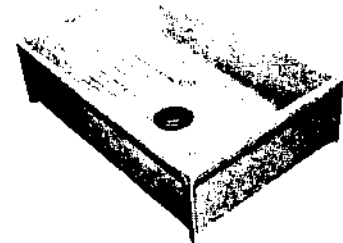
The drain body shall be integrally molded. The standard "Flat" strainer shall be made from 16 gauge (.050" min.) #302 stainless steel. An elastomeric drain seal shall be furnished with each model.

READ INSTRUCTIONS THOROUGHLY

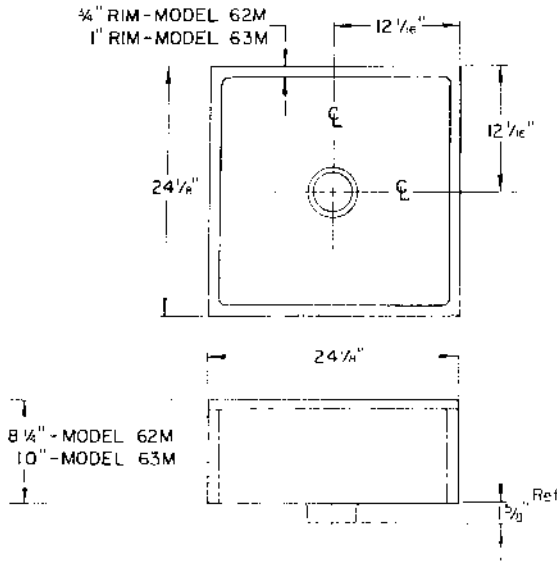
ROUGH-IN DIMENSIONS:



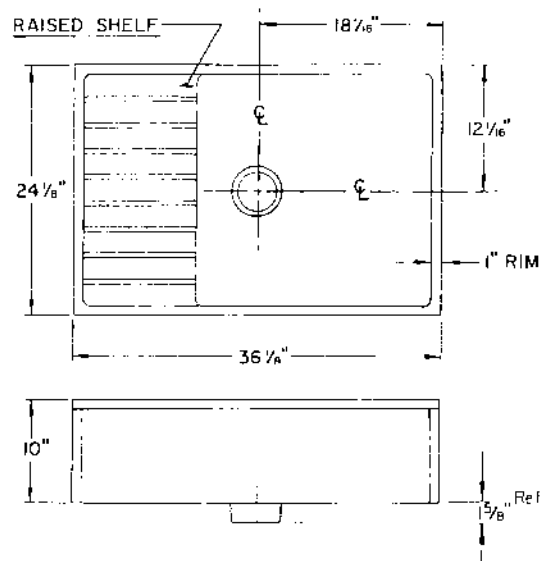
MODEL 62M or 63M



MODEL 65M

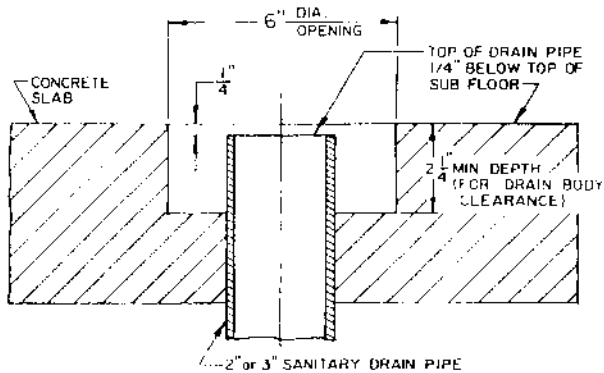


MODEL 62M or 63M

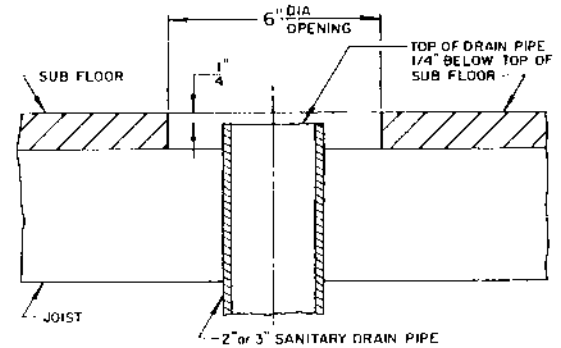


MODEL 65M

SLAB INSTALLATION



SUB-FLOOR INSTALLATION



E.L. MUSTEE & SONS, INC.

5431 West 164th Street • Cleveland, Ohio 44142

SI-186 (5•99)

INSTALLATION:

1. Refer to "Rough-in" dimensions & determine location of **Mop Basin**. Prepare a 6" Diameter opening in sub-floor or slab with top of drain pipe centered $\frac{1}{4}$ " below floor surface. If slab installation, be sure to allow clearance for drain - $2\frac{1}{4}$ " minimum depth. (see "**ROUGH-IN**": **SLAB INSTALLATION/SUB-FLOOR INSTALLATION**)
2. Set **Mop Basin** in place, shim as required to level unit. Draw a light line on wall along the top edge/rim of **Mop Basin**. Temporarily remove **Mop Basin**.
3. Measure down $1\frac{1}{2}$ " ($1\frac{1}{4}$ " for **MODEL 62M**) from this line - this is the horizontal centerline for the **Anchoring Brackets** (Part No. 63.402). Measure in approx. $2\frac{3}{4}$ " from each end of the **Mop Basin** along the horizontal centerline. Drill pilot holes for mounting screws (not furnished) and attach **Anchoring Brackets** as shown in **FIGS. A & B**. Set **Mop Basin** back into place.
4. Seal waste by installing **Drain Seal** around waste pipe (a light coating of liquid soap or silicone sealant on drain seal will make installation easier). Tamp **Drain Seal** in place to bottom of drain body using a $\sim\frac{1}{4}$ " Diameter rod. Make sure **Drain Seal** is even with top of waste pipe and in full compliance with local code regulations. Snap **Strainer** into place (see **2"** or **3" DRAIN ASSEMBLY** illustrations).
5. Use a quality silicone sealant (not furnished) along all edges of **Mop Basin** that make contact with walls.

CARE AND CLEANING

The surface of your Mop Service Basin may be cleaned with a mild soap solution in warm water using a soft cloth. For stubborn stains use "Soft-Scrub" by Clorox or Lysol "Tub & Tile Cleaner" or a powdered detergent such as "Spic-n-Span". Never use abrasive scouring powder or steel wool pads as they will dull and scratch the surface. A periodic coating of a silicone based marine polish will help retain the fine finish.

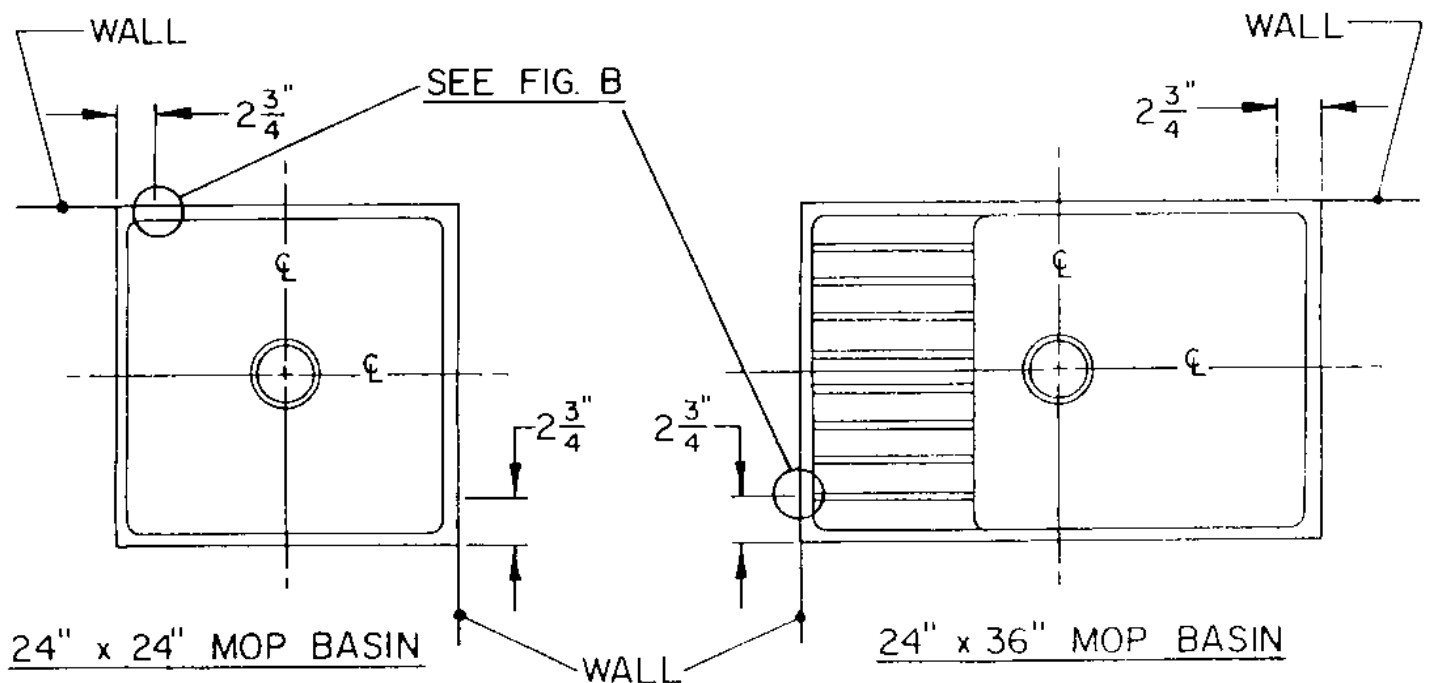


FIG. A

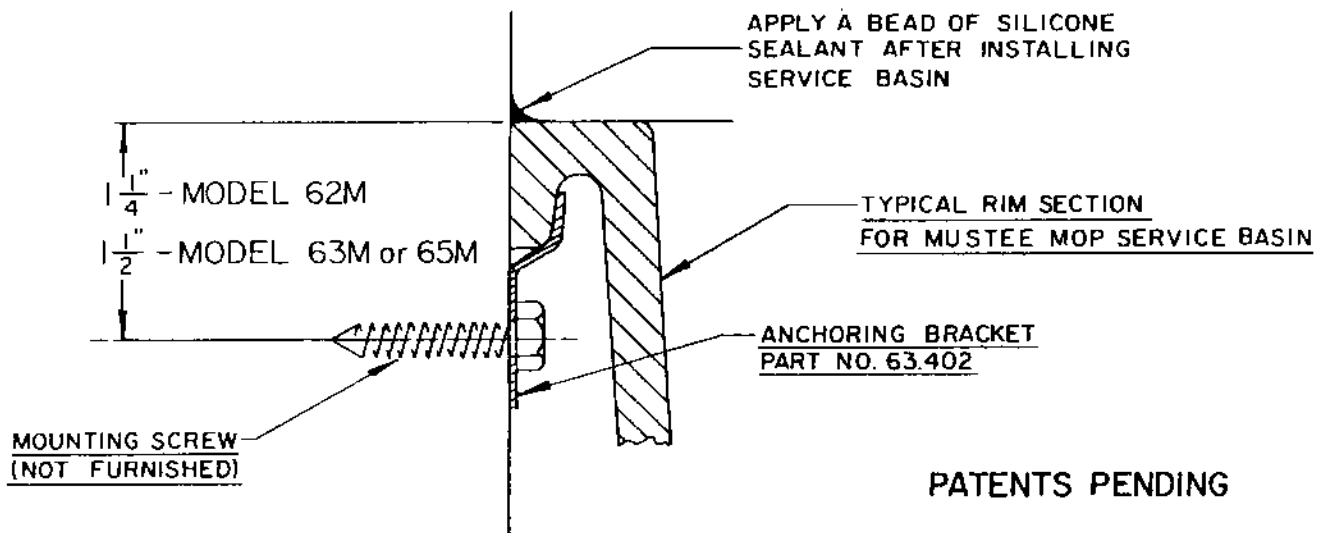
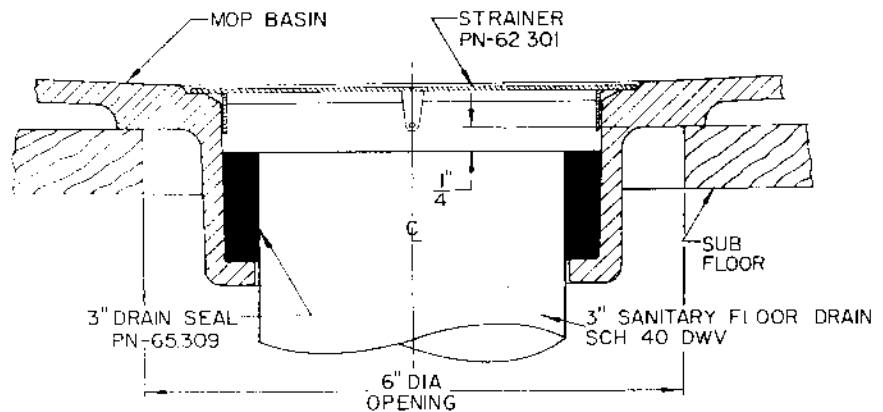
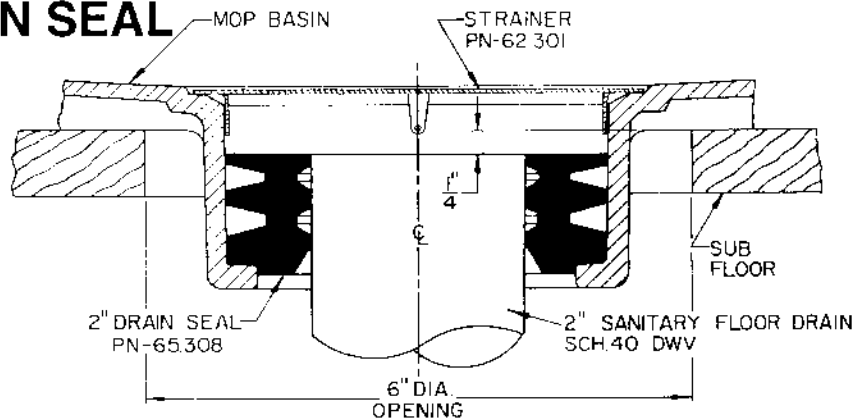


FIG. B

**MOLDED-IN DRAIN ASSEMBLY
w/ 3" DRAIN SEAL
(STD. ALL MODELS)**



**MOLDED-IN DRAIN ASSEMBLY
w/OPTIONAL 2" DRAIN SEAL**



NOTE:

Optional DRAIN SEALS are available for all models:

Part No. 65.308 for 2" SCH. 40 DWV SANITARY FLOOR DRAIN (PICTURED)

Part No. 65.311 for 3" SOIL PIPE/CAST IRON-SERVICE WT. (NO HUB)

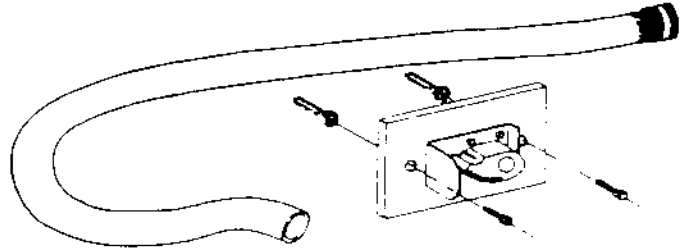
ACCESSORIES (Optional)

DRAIN SEALS

PN. 65.308 for 2" SCH. 40 DWV SANITARY FLOOR DRAIN
PN. 65.311 for 3" SOIL PIPE/CAST IRON - SERVICE WT. (NO HUB)

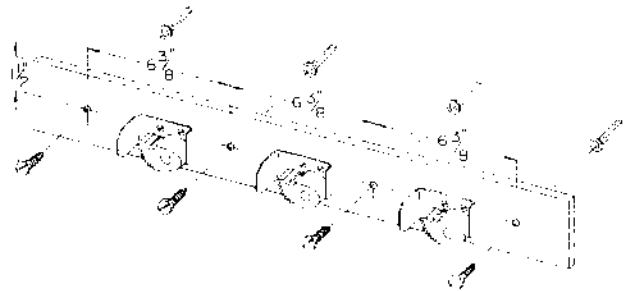
HOSE and HOSE BRACKET - PN. 65.700

5/8" diameter, heavy duty reinforced rubber hose 31" O.A.L. with brass plated female coupling on one end. Spring loaded, molded rubber hose holder mounted on 20 ga., #302 stainless steel mounting bracket. Bracket dimensions 3" x 5" with 3-1/2" mounting hole centers. Wall anchors and mounting screws included.



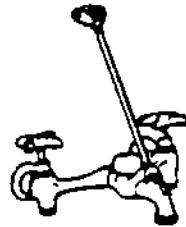
MOP HANGER - PN. 65.600

3" wide x 24" long, 20 ga., #302 stainless steel with 3 (factory installed) spring loaded, molded rubber, handle holders. Wall anchors and mounting screws included.



SERVICE SINK FAUCET - PN. 63.600A*

Chrome plated brass service sink faucet - 1/2" pipe eccentric inlets - 8" centers - vacuum breaker integral stops - chrome plated (H&C) handles - 3/4" hose end spout with pail hook - top reinforcing bar and mounting bracket.

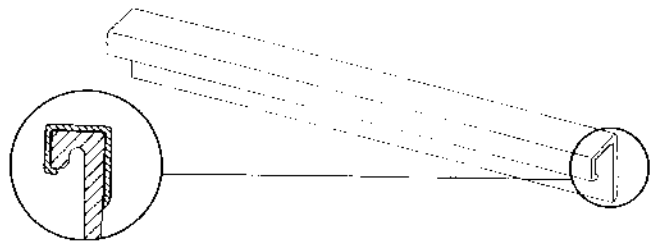


* Meets ANSI Specifications:
A 112.1.1 - Section 2.9
A 112.18.1

BUMPER

PN. 62.401 - 21 1/2" Long for MODEL 62M
PN. 63.401 - 20 3/4" Long for MODEL 63M & 65M
PN. 65.403 - 32 3/4" Long for MODEL 65M

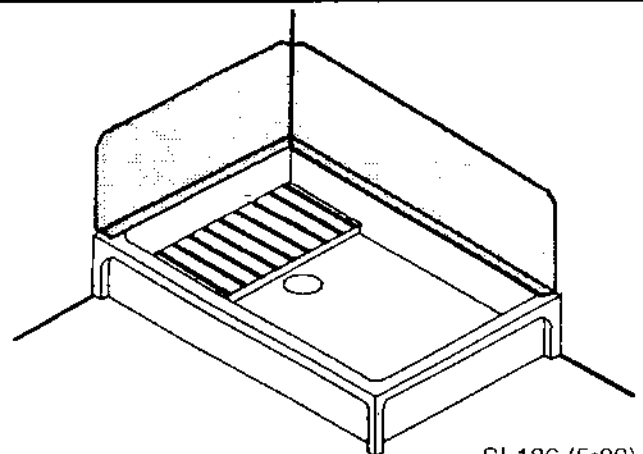
Extruded hi-impact, rigid vinyl bumper protects the exposed top rim area from abuse of heavy buckets and other floor cleaning equipment. Easy to install, simply snap in place, no additional hardware required.



DURAGUARD™ WALL GUARDS

PN. 67.2424 - 2 panels & 1 corner bracket for 24" x 24"
PN. 67.2436 - 2 panels & 1 corner bracket for 24" x 36"
PN. 67.24C - 1 panel 24" & 1 corner bracket
PN. 67.36C - 1 panel 36" & 1 corner bracket

Heavy duty stainless steel panels mount directly to walls and protect against damage and stains. Mounting hardware included.



E.L. MUSTEE & SONS, INC.

5431 West 164th Street • Cleveland, Ohio 44142

SI-186 (5•99)