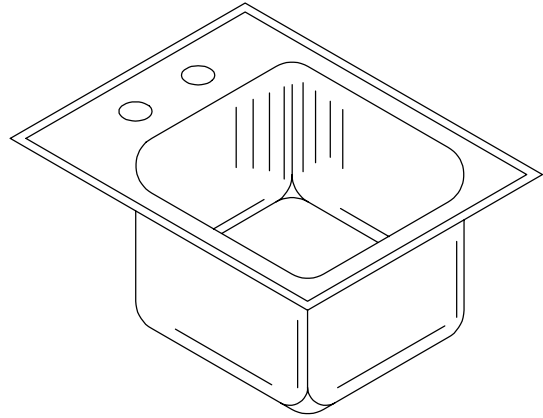




CONGENIALITY GROUP

SBL/SBLX - SERIES - A - 18 GA.

**SPACE SAVER - LEDGE TYPE
BAR SINK - SINGLE BOWL**



SPECIFICATION

Seamless die-drawn construction of type 304, 18-8 stainless steel. Interior and top surfaces polished to a non-porous Hand-Blended Just Finish with high-lighted bowl rim. Fully coated underside insulates for sound, and reduces condensation. Straight-sided compartment with 1 3/4" radius corners provides greater capacity. Self-rimming top mount Grip-Rim Plus with 300 series stainless steel mounting channels. Conforms to ASME/ANSI A112.19.3M. Drain punch #15 centered for Just J-15 unless otherwise specified.

To be specified :

■ Faucet hole punching:

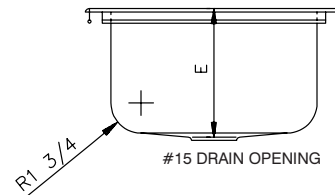
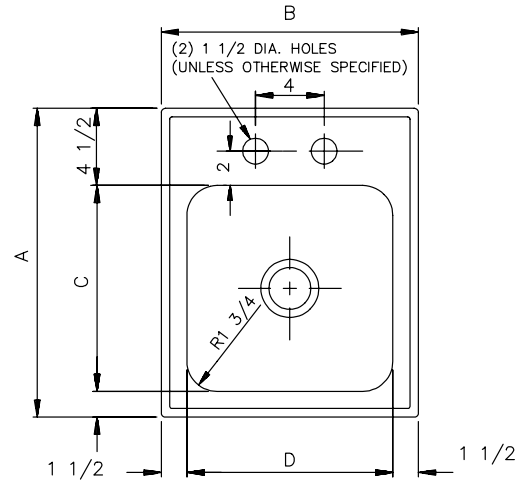
(1) Hole Centered

(2) Holes on 4" centers (illustrated)

Alternate Punching:

Faucet Model: _____

Punching required: _____



MODEL NO.	A	B	C	D	E	CUTOUT*
SBL-1515-A-GR	15	15	9	12	6	14-1/4 x 14-1/4
SBL-1613-A-G	16	13	10	10	7-1/2	15-1/4 x 12-1/4
SBL-1812-A-GR	18	12	12	9	6	17-1/4 x 11-1/4
SBL-1815-A-GR	18	15	12	12	7-1/2	17-1/4 x 14-1/4
SBLX-1815-A-GR	18	15	12	12	9	17-1/4 x 14-1/4

* Cutout dimensions shown (Front-to-Back) x (Left-to-Right) - Corners of cutout may be square or up to 1/2" radius.

JUST MFG. COMPANY CONTINUES TO MAKE QUALITY AND FUNCTIONALITY A MARK OF THE JUST PRODUCT LINE. TO DO SO REQUIRES THAT WE RESERVE THE RIGHT TO CHANGE PRODUCT INFORMATION WITHOUT NOTICE. FOR THE MOST CURRENT AND ACCURATE INFORMATION REGARDING THE COMPLETE LINE OF JUST SINKS, FAUCETS AND DRAINS, CLICK ON THE **SPEC LINE DRAWINGS** LINK ON OUR WEB SITE AT www.just.mfg

Job Name _____

Customer _____

Architect/Engineer _____

APPROVED FOR MANUFACTURING

MODEL NO. _____ QTY. _____

COMPANY _____

TITLE _____ DATE _____

SIGNATURE _____

SUBMITTAL DATA

REVISED-5/2004

JUST MANUFACTURING COMPANY

9233 KING STREET . FRANKLIN PARK . ILLINOIS . 60131-2111

PH: 847-678-5150

FAX: 847-678-6817

E-MAIL: custserv@justmfg.com

www.justmfg.com