

#7500 CUT SHEET

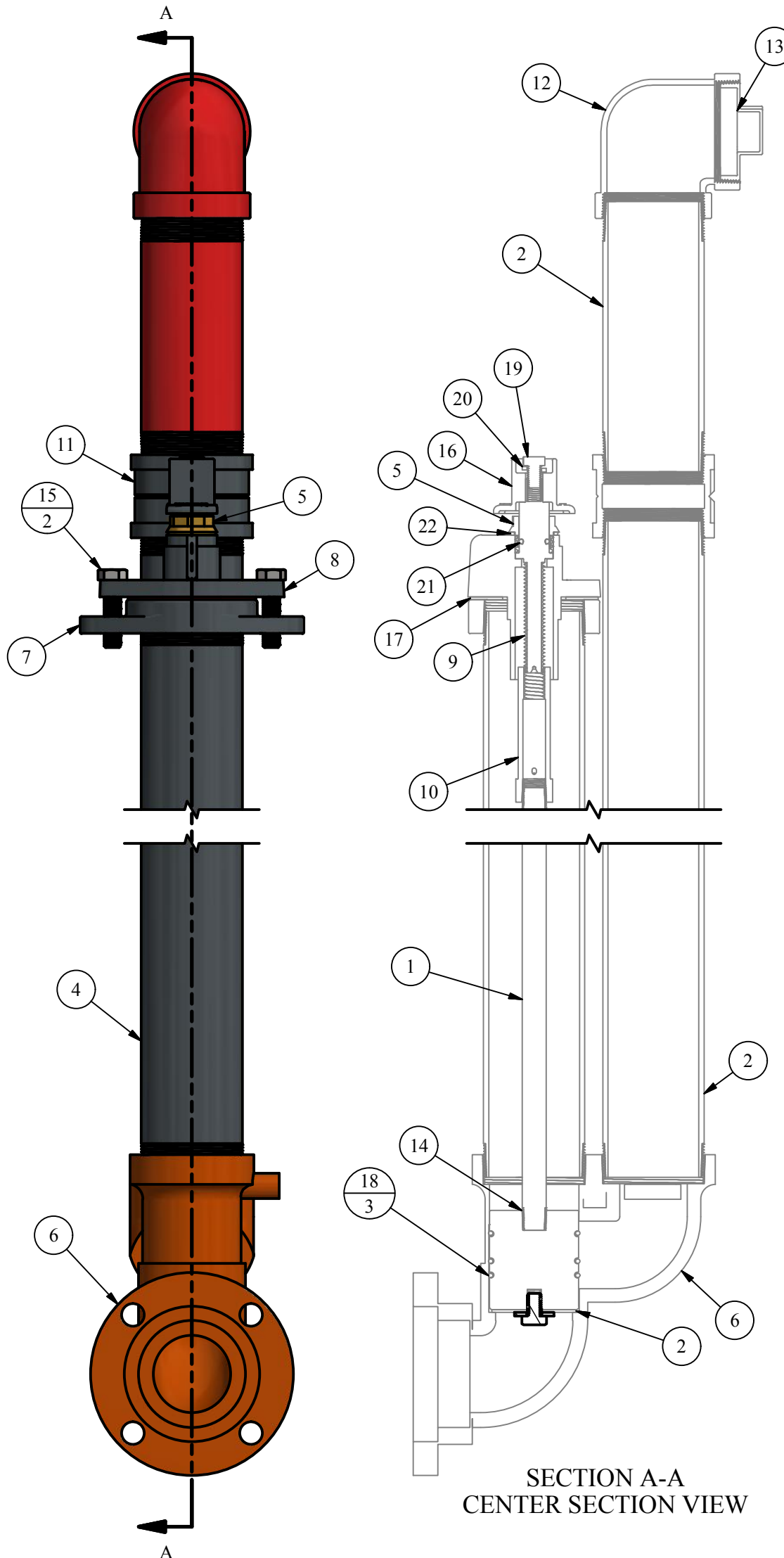
(4" MJ INLET, 4" OUTLET)

PARTS LIST

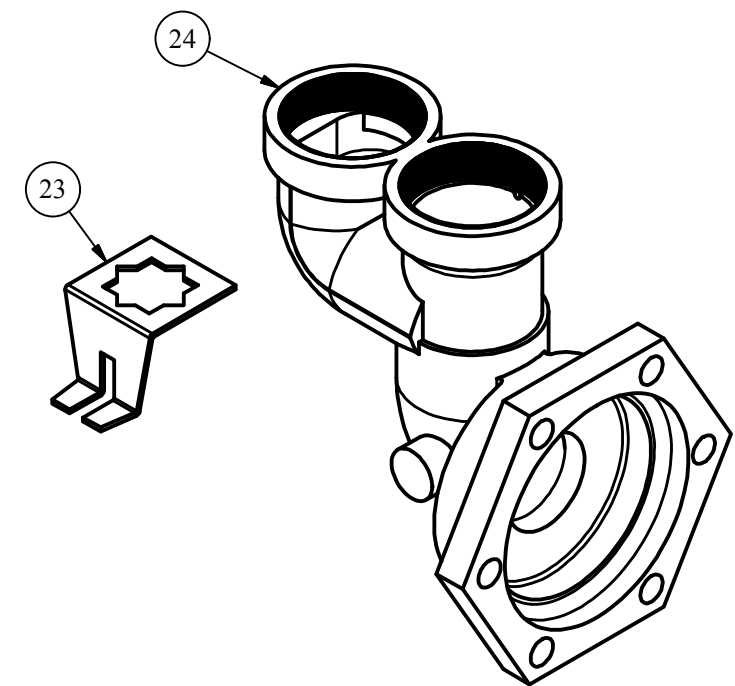
ITEM	QTY	PART NUMBER	DESCRIPTION	NOTES
1	1.71	1 1/16SR	1-1/16" SOLID ROD	B,C
2	1	10800	SEAT WASHER	C
3	1	10812	S.S. PLUNGER WASHER	
4	5.67	4P	4" BLACK PIPE	
5	1	621	PACKING NUT 1-1/4" PENT	
6	1	7601	4" INLET CASTING	C
7	1	7602	IRON NECK	C
8	1	7603	IRON TOP CAP	
9	1	7604	BRASS TOP SCREW	
10	1	7605	BRASS CONNECTION NUT	C
11	1	7606	4" TRAFFIC BREAKAWAY COUPLING	C
12	1	7607	4" BLACK IRON 90° ELBOW	
13	1	7608	4" SCH. 40 PVC THREADED PLUG	C
14	1	7609	PLUNGER	
15	2	7610	BOLT FOR TOP CAP	C
16	1	7612	2" GATE VALVE NUT	C
17	1	7613	TOP CAP GASKET	C
18	3	7614	PLUNGER O-RING FOR 7500/7600	C
19	2	7615	BOLT FOR GATE VALVE NUT	C
20	1	7622	LOCKWASHER FOR GATE VALVE SCREW	C
21	1	77M	O-RING FOR SLOTTED SCREW	C
22	1	77MG	GASKET FOR PACKING NUT	C

OPTIONAL PARTS LIST

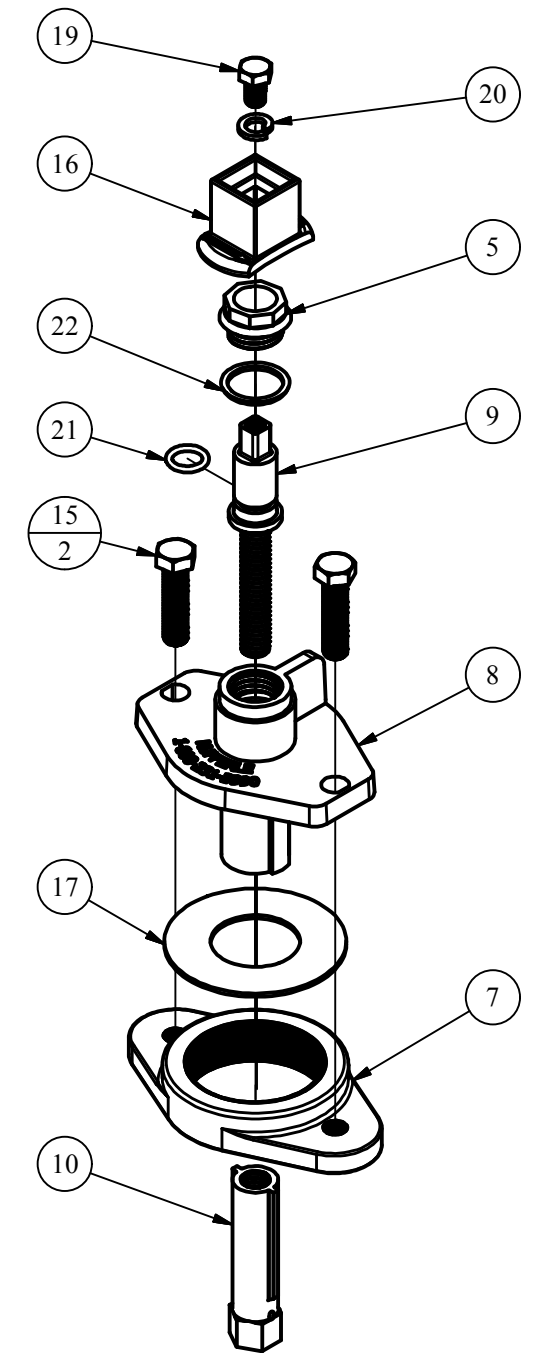
23		7616	LOCKING WRENCH FOR 7500/7600	C
24		7617	IRON 6" MJ INLET	C



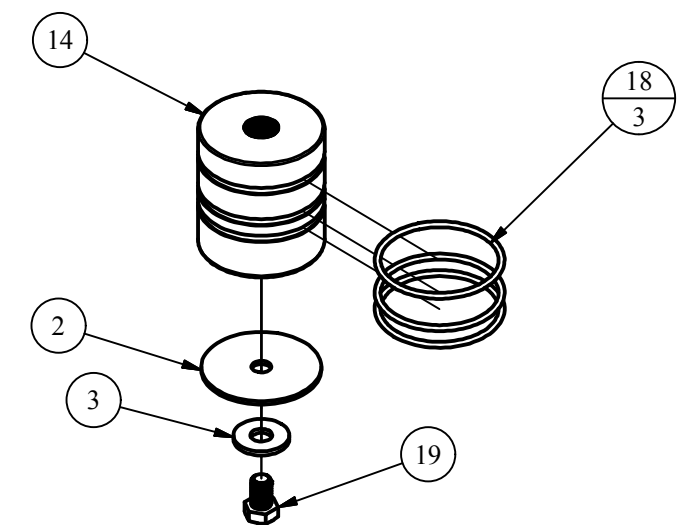
OPTIONAL PARTS



TOP ASSEMBLY



PLUNGER ASSEMBLY



REPAIR KITS

PART NUMBER	DESCRIPTION	PARTS INCLUDED
X621	BRASS PACKING NUT COMPLETE	621 PACKING NUT (1), 77MG GASKET (1)
X7500R	REPLACEMENT RISER	7608 PLUG (1), 7607 ELBOW (1), 4P PIPE (1)
X7600RK	7500/7600 REPAIR KIT	7614 O-RING (3), 10800 SEAT WASHER (1)
X7603	IRON TOP CAP COMPLETE	7603 TOP CAP (1), 7613 GASKET (1), 7610 BOLT (2)
X7604	COMPLETE TOP SCREW FOR 7500/7600	7604 SCREW (1), 77M O-RING (1)
X7609	COMPLETE PLUNGER FOR 7500/7600	7609 PLUNGER (1), 7614 O-RING (3), 10800 SEAT WASHER (1), 10812 WASHER (1), 7615 BOLT (1)

NOTE	DESCRIPTION
A	NOT SHOWN
B	PIPE LENGTH DEPENDENT ON DEPTH OF BURY
C	SOLD AS REPLACEMENT PART

DISCLAIMER
THIS DRAWING IS THE PROPERTY OF THE KUPFERLE FOUNDRY COMPANY. IT IS NOT TO BE USED OR DUPLICATED WITHOUT THE PERMISSION OF THE OWNER.

LEGEND

(X)	STANDARD TAG
(X/Y)	TAG WITH Y QUANTITY

DRAWN	2/28/2017
CHECKED	
DCL	3/1/2017
MODIFIED	
MAM	1/29/2019
SIZE	C
SCALE	1/6

DWG NO	#7500 Cut_Rev0	SHEET	1 OF 1	REV	0
--------	----------------	-------	--------	-----	---

