

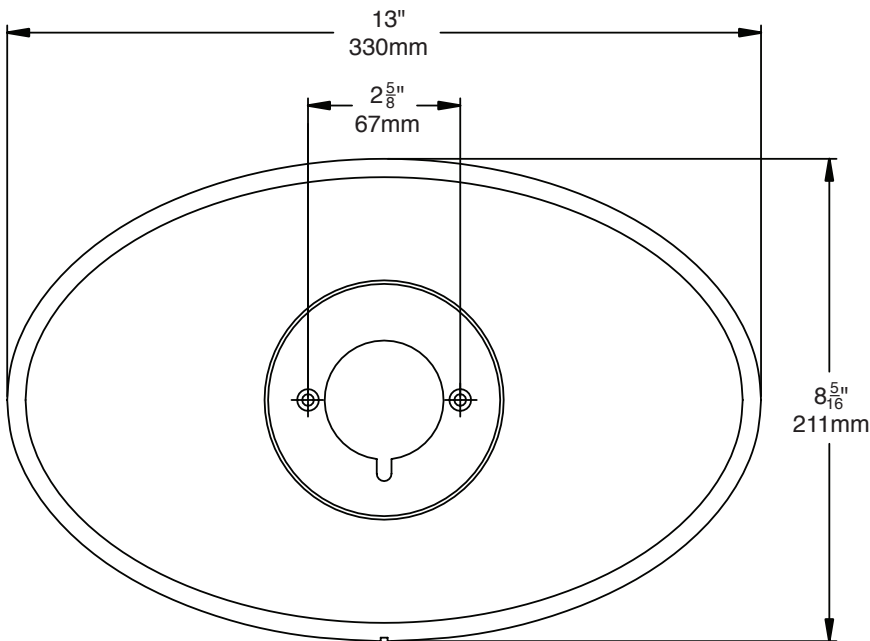
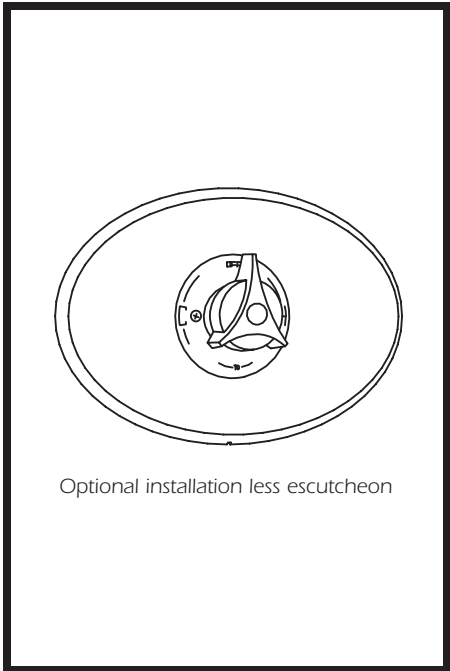
RC Remodel Cover Plate

Use to convert single, two, or three handle shower or tub/shower fittings to a Temptrol® series pressure-balancing valve. Can be used on fiberglass or tiled walls. Does not require any tile work. Use with applicable Temptrol series shower or tub/shower valve. Plate can be installed with or without escutcheon on certain models. Contact factory for information on specific models. **(Temptrol tub/shower valve not included.)**

Modifications:

Add:

- Suffix BRS:** Radiance® polished brass finish
- Suffix STN:** Satin finish



Job/Location

.....

Engineer

.....

Contractor

.....

Symmons Industries, Inc. ■ 31 Brooks Drive ■ Braintree, MA 02184
 (800) 796-6667, (781) 848-2250 ■ Fax (800) 961-9621, (781) 843-3849
 Website: www.symmons.com ■ Email: customerservice@symmons.com

