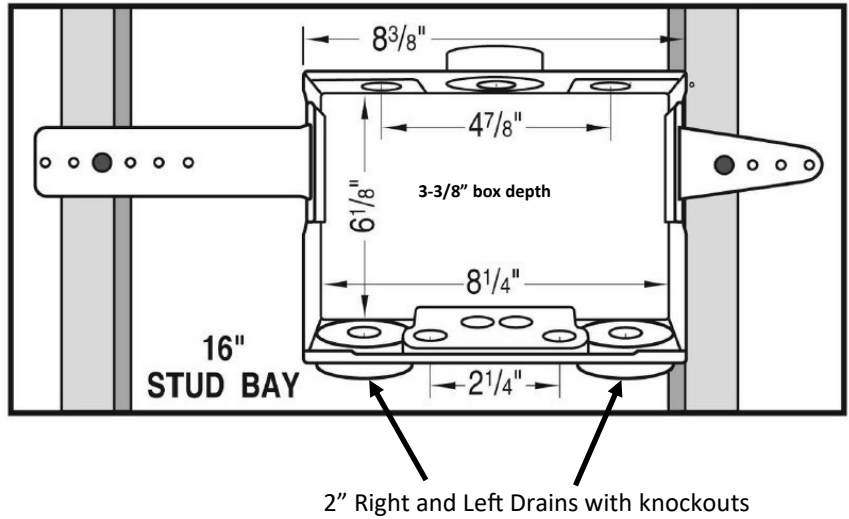
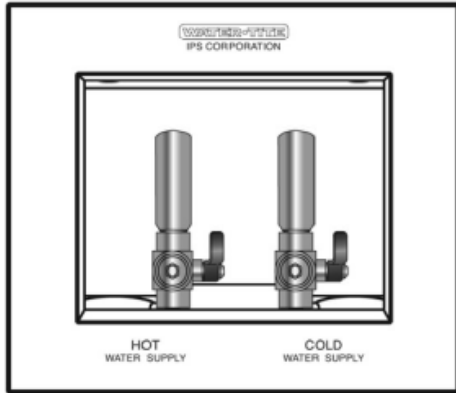


SPECIFICATION SUBMITTAL SHEET

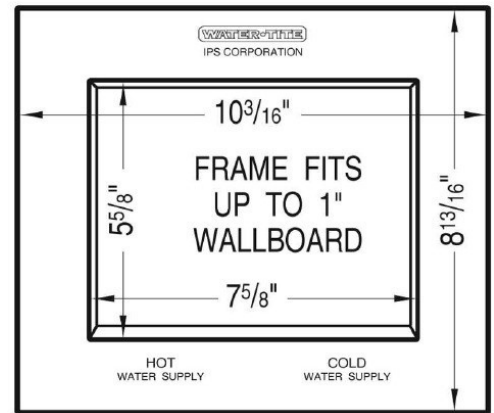


**DU-ALL™ DUAL DRAIN WASHING MACHINE OUTLET BOX**  
With Quarter Turn Arrester Valves



**Specifications:**

Furnish and install Du-All dual-drain washing machine outlet box with quarter turn hammer arrester valves installed as noted below. Du-All box may optionally be installed as top-mount unit. Unit shall be Water-Tite code as manufactured by IPS Corporation. Valves comply with ASME A112.18.1 and ASSE 1010.



Item #	Product Description	Model #	Case Qty.
85703	Brass Qtr Turn Valves w/Arresters, 1/2" Sweat Conx.	W2700HA	10
85706	Brass Qtr Turn Valves w/Arresters, 1/2" CPVC Conx.	W2701HA	10
85714	Brass Qtr Turn Valves w/Arresters, 1/2" PEX Conx.	W2702HA	10
81998	Brass Qtr Turn Valves w/Arresters, 1/2" Wirsbo® Conx.	W27011HA	10
82748	Brass Qtr Turn Valves w/Arresters, 1/2" REHAU EVERLOC+™ Conx.	W2705HA	10
CONTRACTOR PACK			
85704	Brass Qtr Turn Valves w/Arresters, 1/2" Sweat Conx.	W2700HACP	20
85707	Brass Qtr Turn Valves w/Arresters, 1/2" CPVC Conx.	W2701HACP	20
85723	Brass Qtr Turn Valves w/Arresters, 1/2" PEX Conx.	W2702HACP	20
81999	Brass Qtr Turn Valves w/Arresters, 1/2" Wirsbo® Conx.	W2711HACP	20
82749	Brass Qtr Turn Valves w/Arresters, 1/2" REHAU EVERLOC+™ Conx.	W2705HACP	20

