

# Residential Biotube® Effluent Filters

## Applications

Our patented\* 4-in. (100-mm) Biotube Effluent Filters, Biotube Jr., Biotube Insert Filters, and Biotube Base Inlet Filters are ideal for residential septic tanks and have a lifetime warranty. They prevent large solids from leaving the tank, dramatically improving wastewater quality and extending the life of residential drainfields.

4-in. (100-mm) Biotube Effluent Filter



4-in. (100-mm) Biotube Jr.  
(4-in. Biotube cartridge available separately as Insert Filter)



8-in. (200-mm) Base Inlet Filter



4-in. (100-mm) Insert Filter



Orenco's superior effluent filters resist clogging better than all other brands. Our standard, full-sized 4-in. (100-mm) Biotube Effluent Filter provides maximum long-term protection in a complete package, with housing. Our 4-in. (100-mm) Biotube Jr., at half the size of our standard model, has more filtering capacity than the full-sized filters sold by other manufacturers. For tanks with existing outlet tees, the Biotube Insert Filter is ideal. And for low-profile tanks, there's the Base Inlet Filter.

\* Covered by patent numbers 5,492,635 and 4,439,323

## To Order

Call your nearest Orenco Systems®, Inc. distributor. For nearest distributor, call Orenco at 800-348-9843 or go to [www.orenco.com](http://www.orenco.com) and click on "Distributor Locator."

APS-FT-1  
Rev. 3.4 © 11/10  
Orenco Systems®, Inc.

## Standard Features & Benefits

- Has 5-10 times more flow area than other brands, so lasts many times longer between cleanings, increasing homeowner satisfaction
- Installs in minutes inside new or existing tanks; extendible tee handle for easy removal
- Easy to clean by simply hosing off whenever the tank needs pumping
- Removes about two-thirds of suspended solids, on average, extending drainfield life
- Corrosion-proof construction, to ensure long life
- Lifetime warranty

## Optional Features & Benefits

- Alarm available, to signal the need for cleaning
- Flow modulating discharge orifices available to limit flow rate leaving tank, mitigating surges and increasing retention time
- Custom and commercial sizes available

## Biotube Filtering Process

Effluent from the relatively clear zone of the septic tank, between the scum and sludge layers, horizontally enters the Biotube Effluent Filter. Effluent then enters the annular space between the housing and the Biotubes, utilizing the Biotubes' entire surface for filtering. Particles larger than the Biotube's mesh are prevented from leaving the tank.



**Orenco Systems®**  
Incorporated

*Changing the Way the  
World Does Wastewater®*

[www.orenco.com](http://www.orenco.com)

# Nomenclatures

## 4-in. Biotube Filter (standard)

FT   04   -

- Options:  
 Blank = no options  
 M = flow modulation plate installed  
 A = float bracket attached

Cartridge height: 28" and 36" are standard

Housing height: 36" and 44" are standard

Filter diameter (inches)

W = fits Type 3034 outlet pipe  
 S = fits Schedule 40 outlet pipe

Blank = 1/8" filtration  
 P = 1/16" filtration

Biotube effluent filter series

## 8-in. Biotube Filter (base inlet model)

FT  08 22 - 14 B

- Options:  
 A = float bracket  
 FS = 2" outlet orifice  
 FSO = 2" outlet orifice and overflow plate\*

Base inlet model

Cartridge height: 14" standard

Housing height: 22" standard

Filter diameter (inches)  
 08 = 8"

Blank = 1/8" filtration  
 P = 1/16" filtration

Biotube effluent filter series

\* Also available with coupling and sleeve as a "kit": FT-OVERFLOWKIT

## 4-in. Biotube Jr. (includes cartridge and housing)

FT J   04 18

- Options:  
 Blank = no options  
 M = flow modulation plate installed  
 A = float bracket attached

Cartridge height (inches)

Filter diameter (inches)

W = fits Type 3034 outlet tee  
 S = fits Schedule 40 outlet tee

Blank = 1/8" filtration  
 P = 1/16" filtration

Junior series

Biotube effluent filter series

## 4-in. Biotube Filter Insert (cartridge only)

FT i  04 18 -  -

For customized options (e.g., NC indicates North Carolina regions)

W = fits Type 3034 outlet tee  
 S = fits Schedule 40 outlet tee

Cartridge height (inches)

Filter diameter (inches)

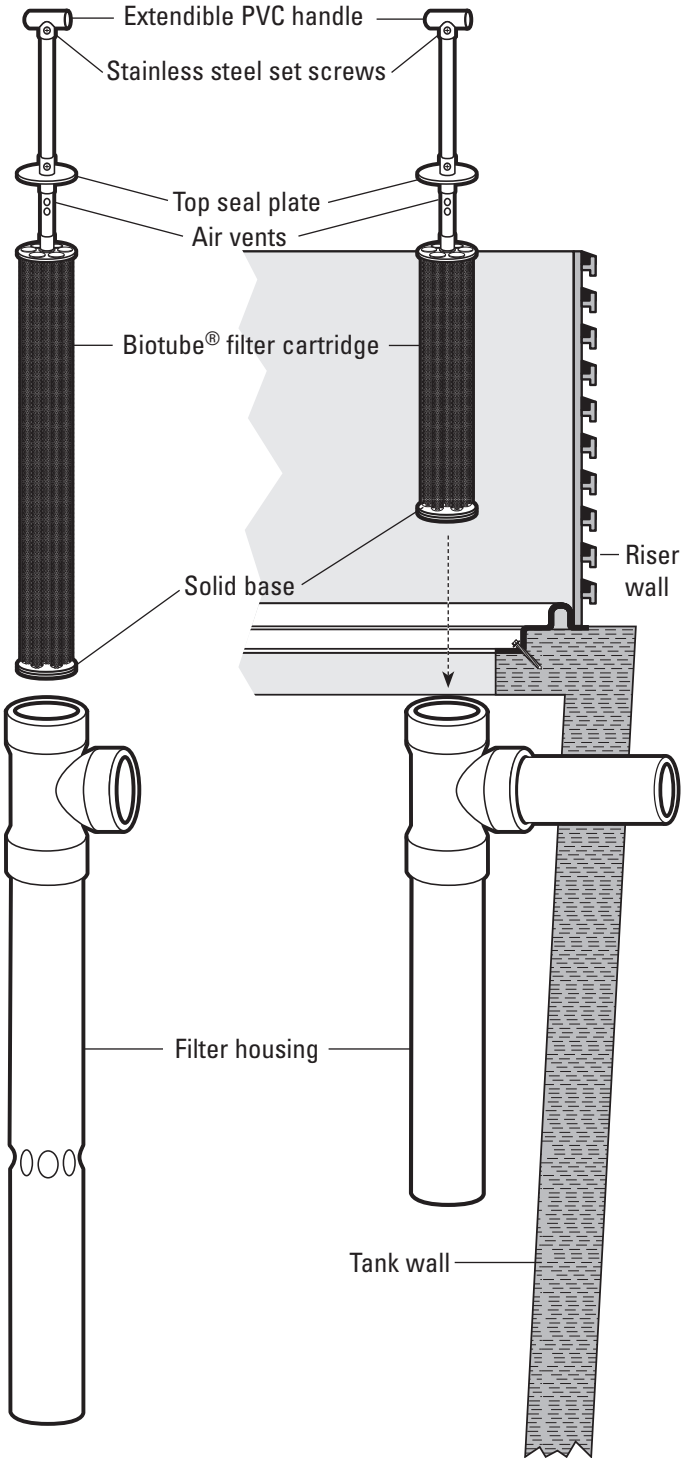
Blank = 1/8" filtration  
 P = 1/16" filtration

Insert

Biotube effluent filter series

## 4-in. Biotube Effluent Filter

## 4-in. Biotube Jr.



Distributed By: