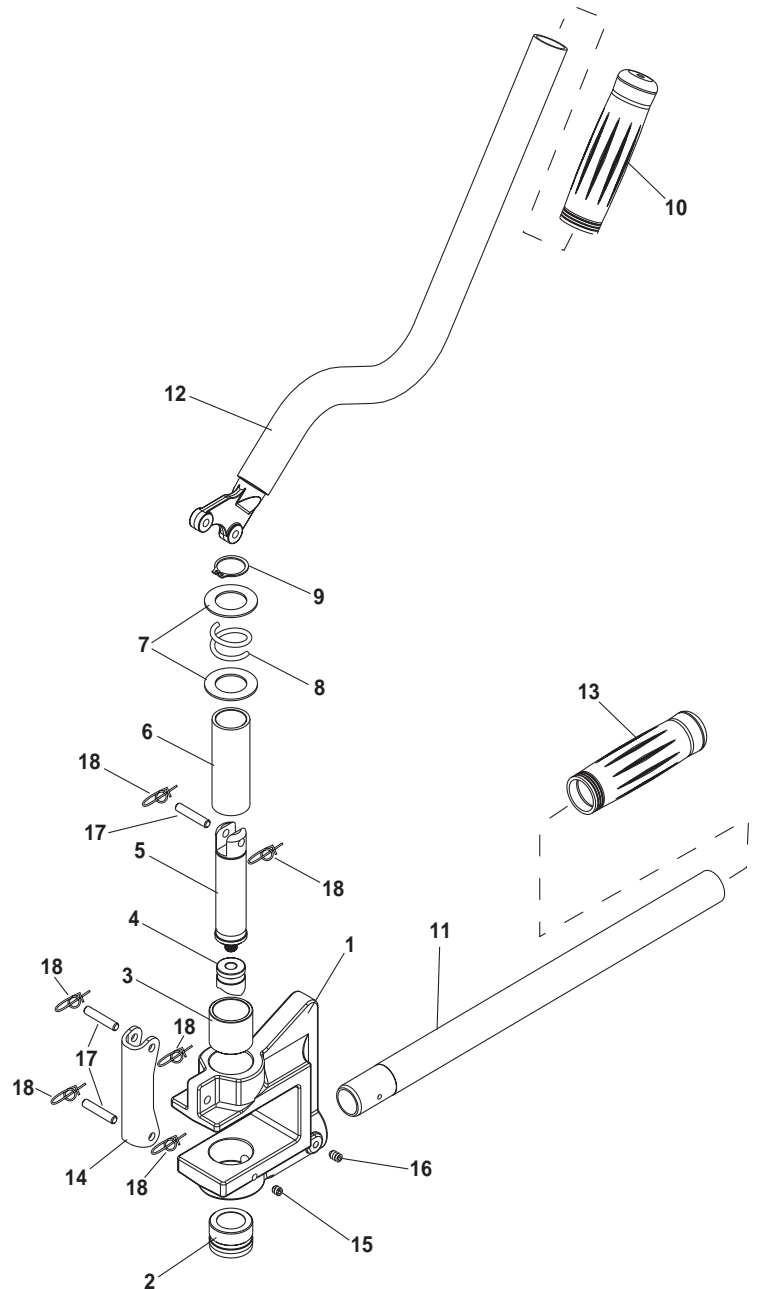
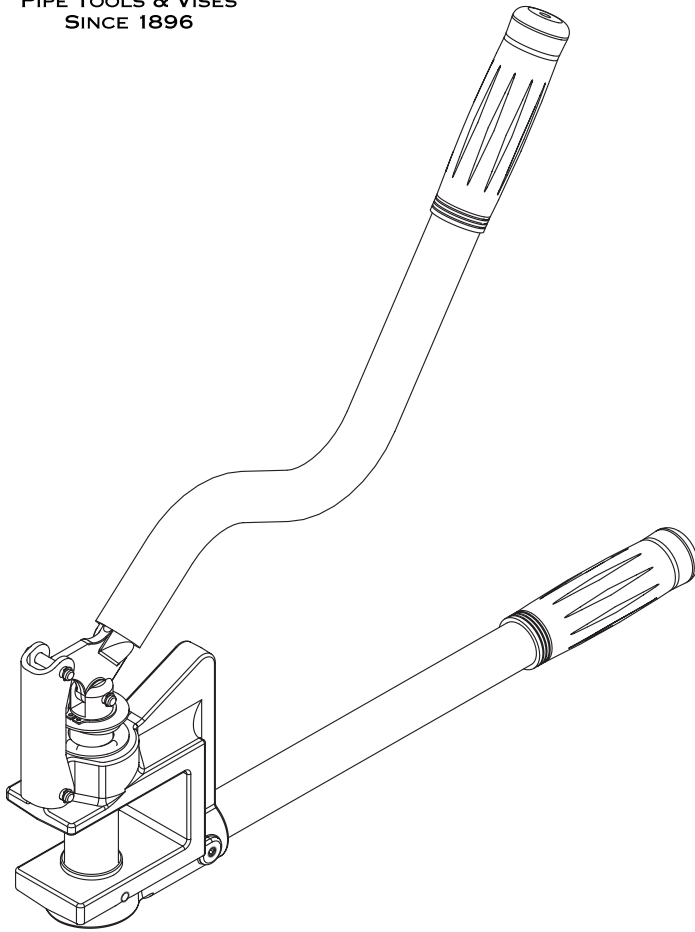




PIPE TOOLS & VISES
SINCE 1896

Stud Punch

Replacement Parts



Parts List

| Ref. No. | Description | STP709 Item Code | STP710 Item Code | Compares to Greenlee 710 Part No. | Qty. Used |
|----------|--------------------------|------------------|------------------|-----------------------------------|-----------|
| 1 | Main Body | 96476 | 96494 | 502 3407.2 | 1 |
| 2 | Bottom Guide Die | 96469 | 96493 | — | 1 |
| 3 | Top Guide | 96483 | 96489 | — | 1 |
| 4 | Punch | 96478 | 96492 | 502 4823.5 | 1 |
| 5 | Punch Holder | 96467 | 96491 | 502 1296.6 | 1 |
| 6 | Sleeve | 96466 | 96490 | 502 1295.8 | 1 |
| 7 | Washer | 96464 | 96464 | 502 1303.2 | 2 |
| 8 | Spring | 96465 | 96465 | 502 1557.4 | 1 |
| 9 | Large Clip | 36461 | 36461 | 905 1361.4 | 1 |
| 10 | Formed Handle Grip | 46481 | 46481 | 905 3268.6 | 1 |
| 11 | Straight Handle | 96475 | 96475 | 502 1298.2 | 1 |
| 12 | Hinge Assembly | 96460 | 96460 | 503 0269.8 | 1 |
| 13 | Grip | 40095 | 40095 | 905 1174.3 | 1 |
| 14* | Linkage | 96463 | 96463 | 503 6617.3 | 1 |
| 15 | Flat Point Set Screw | 36462 | 36462 | 905 0617.0 | 1 |
| 16 | Half Dog Point Set Screw | 36463 | 36463 | 905 0764.9 | 1 |
| 17* | Pin | 96482 | 96482 | — | 3 |
| 18* | Ring | 36497 | 36497 | — | 6 |

*Pin-Link Kit (#96471) contains #14 (1 qty), #17 (2 qty), and #18 (4 qty) to have a linkage assembly all in one packet.

Reed Manufacturing Company
1425 West 8th St.
Erie, PA 16502 USA



Phone: 800-666-3691 or 814-452-3691
Fax: 800-456-1697 or 814-455-1697
www.reedmfgco.com

RP-304-56