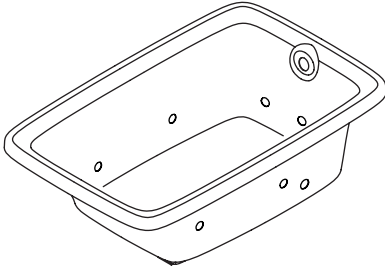


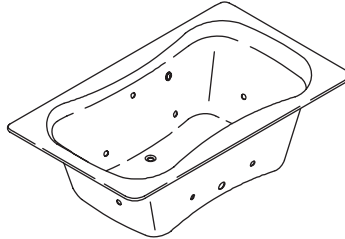
Installation Guide

Bath Whirlpool with Custom Pump

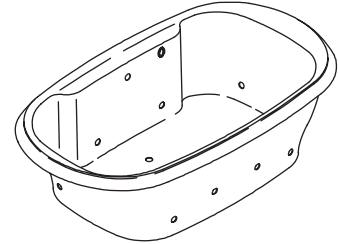
K-1158



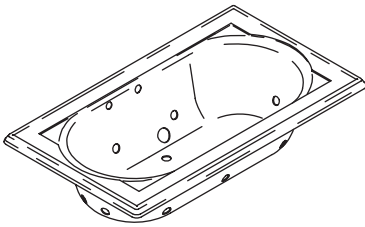
K-1368



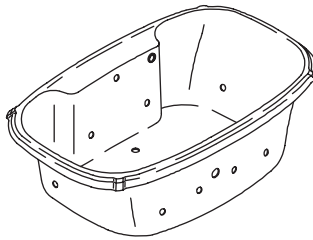
K-1375



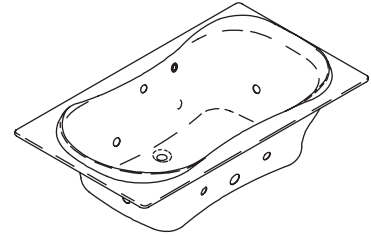
K-1418



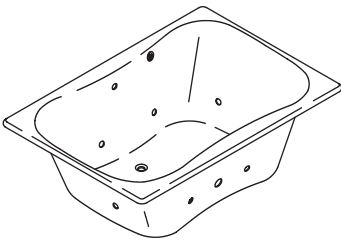
K-1457



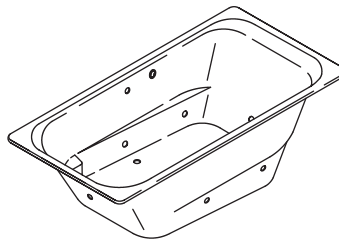
K-1477



K-1487



K-1496



M product numbers are for Mexico (i.e. K-12345**M**)
Los números de productos seguidos de **M** corresponden a México
(Ej. K-12345**M**)
Français, page "Français-1"
Español, página "Español-1"

THE BOLD LOOK
OF **KOHLER**®

Important Information



WARNING: When using electrical products, basic precautions should always be followed, including the following:



DANGER: Risk of electric shock. Connect only to circuits protected by a Ground-Fault Circuit-Interrupter (GFCI) or Earth-Leakage Circuit-Breaker (ELCB).

Building materials and wiring should be routed away from the pump body and other heat-producing components of the unit.

Install to permit access for servicing.

A pressure wire connector marked "Earth/Ground" is provided within the wiring compartment. To reduce the risk of electric shock, connect this connector to the grounding terminal of your electric service or supply panel with copper wire equivalent in size to the circuit conductor supplying this equipment.

Pressure wire connectors are provided on the exterior of the junction box or control within this unit to permit connection of a bonding conductor between this unit and all other exposed metal in the vicinity, as needed to comply with local requirements.

Grounding is required. The unit should be installed by a qualified service representative, and grounded.



WARNING: Risk of electric shock. A licensed electrician should make all electrical connections.



WARNING: Risk of electric shock. Disconnect power before servicing.



WARNING: Risk of injury or property damage. Please read all instructions thoroughly before beginning installation, including the following requirements.

NOTICE: Follow all local plumbing and electrical codes.

Product Information

Electrical Requirements

The installation must have a Class A Ground-Fault Circuit-Interrupter (GFCI) or Earth-Leakage Circuit-Breaker (ELCB). The GFCI or ELCB protect against line-to-ground shock hazard. **Use a 220 - 240 V, 20 A, 50/60 Hz dedicated service for the whirlpool.**

Product Notices



WARNING: Unauthorized modification may cause unsafe operation and poor performance of the whirlpool. This whirlpool has an optional custom pump location feature. If this option was ordered, the pump fittings are in place when you receive your whirlpool. The pump should only be moved to this location. Do not make other modifications to the whirlpool system, as this could adversely affect the performance and safe operation of the whirlpool. Kohler Co. shall not be liable, under its warranty or otherwise, for personal injury or damage caused by any such unauthorized modification.

Features

Components include a pump, heater, control and illuminated switch (user keypad).

Connections and Service Access

Before installation, ensure proper access to the final connections.

Product Information (cont.)

NOTICE: Provide generous, unrestricted service access to the pump. You must provide access for servicing the pump and controls. The access must be located immediately next to the pump. Study the roughing-in information packed with the whirlpool.

Table of Contents

Important Information	2
Product Information	2
Electrical Requirements	2
Product Notices	2
Features	2
Connections and Service Access	2
Thank You For Choosing Kohler Company	3
Before You Begin	4
Tools and Materials	4
Prepare the Site	5
Prepare the Site	6
Prepare the Whirlpool	6
Disconnect the Pump	7
Relocate the Pump - Option A	7
Relocate the Pump - Option B	7
Secure the Whirlpool to the Subfloor	8
Mount the Pump in Custom Location	9
Install the Plumbing	10
Make Electrical Connections	10
Install the Whirlpool Trim Kit	12
Test Run the Whirlpool	12
Complete the Finished Wall/Deck	13
Complete the Concrete Installation	13
Clean-Up After Installation	13
Confirm Proper Operation	14
Operating Sequence	14
Troubleshooting Procedures	14

Thank You For Choosing Kohler Company

We appreciate your commitment to Kohler quality. Please take a few minutes to review this manual before you start installation. If you encounter any installation or performance problems, please don't hesitate to contact us. Our phone numbers and website are listed on the back cover. Thanks again for choosing Kohler Company.

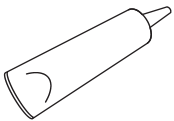
Before You Begin



CAUTION: Risk of product damage. Do not lift the whirlpool by the piping or pump, or use the piping or pump for structural support of the whirlpool.

- We recommend this whirlpool for drop-in, corner, or alcove installation.
- Inspect the whirlpool for damage before you begin installation.
- You must install this whirlpool to an adequately supported, level subfloor.
- When used, the optional apron must be installed before the finished floor and wall materials are completed.
- Confirm adequate support for a rim-mounted faucet; large faucets that may be inadvertently used as a means of support are not appropriate or safe for this installation.

Tools and Materials



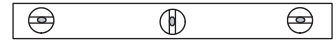
Silicone Sealant



Measuring Tape



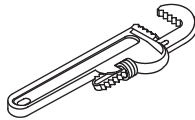
Pencil



Level



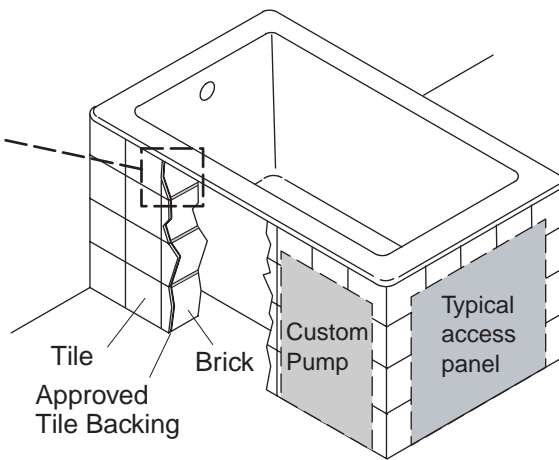
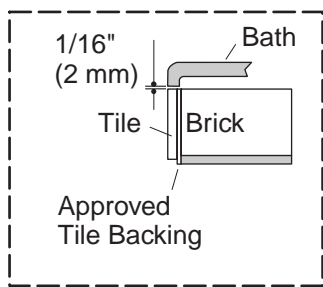
Safety Glasses



Pipe Wrench

Plus:

- Conventional woodworking or concrete installation tools and materials
- Drop cloth



Whirlpool may be installed next to the wall or as an island installation.

Install an access panel to allow the pump to be serviced.

1. Prepare the Site

Concrete Construction

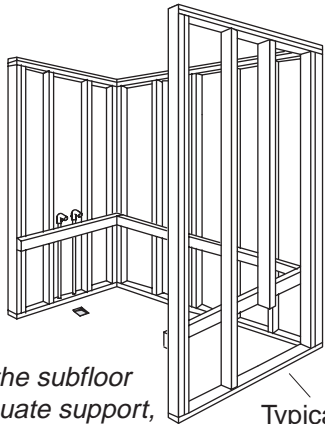
NOTICE: Adequate floor support must be provided. Consult the roughing-in sheet packed with your whirlpool for specific floor loading requirements.



CAUTION: Risk of product damage. Do not support the whirlpool by the rim.

- Make sure the flooring offers adequate support for your whirlpool, and verify that the subfloor is flat and level.
- This whirlpool may be installed next to the wall or in an island installation. An island installation requires a four side surround. In both instances, make sure the deck is supported by brick or concrete.
- Install an access panel to allow the pump to be serviced.
- Construct brick or concrete supports.
- Provide a 1/16" (2 mm) gap between the whirlpool rim and the concrete or brick framing. Frame the floor, or construct a frame for a raised installation, in accordance with the roughing-in information packed with the whirlpool.
- Position the plumbing according to the roughing-in information packed. Cap the supplies, and check for leaks.

Position the rough plumbing.



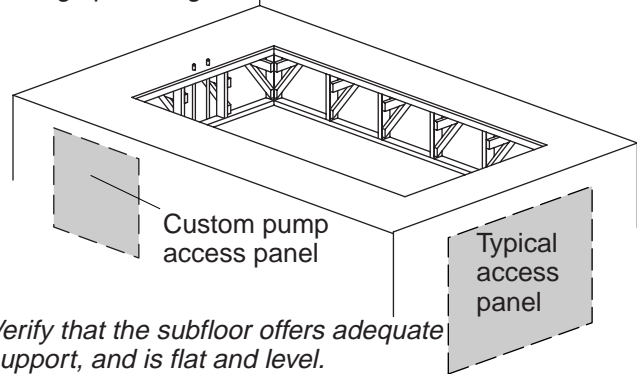
Construct 2x4 stud framing according to the roughing-in information.

Verify that the subfloor offers adequate support, and is flat and level.

Typical access panel

Position the rough plumbing.

Frame the floor according to the roughing-in information.



Verify that the subfloor offers adequate support, and is flat and level.

2. Prepare the Site

Wood Construction

NOTICE: Adequate floor support must be provided. Consult the roughing-in sheet packed with your whirlpool for specific floor loading requirements.

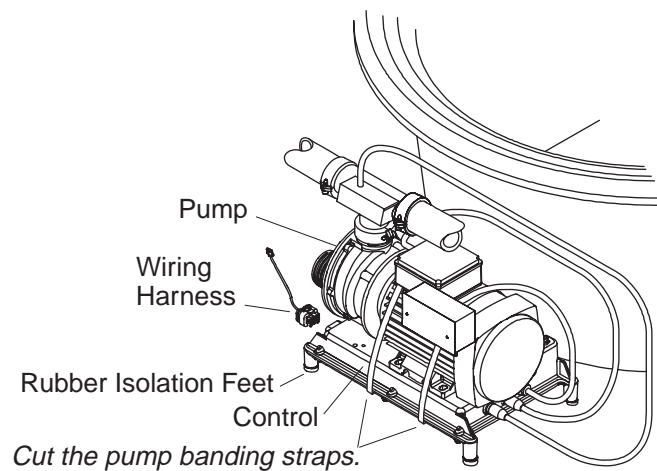


CAUTION: Risk of product damage. Do not support the whirlpool by the rim.

- Make sure the flooring offers adequate support for your whirlpool, and verify that the subfloor is flat and level.
- The whirlpool may be used in a drop-in, corner, or alcove installation. Construct 2x4 stud framing designed for your particular installation. Frame the floor, or construct a frame for a raised installation in accordance with the roughing-in information packed with the whirlpool.
- Use the roughing-in cut-out information to carefully lay out and cut the rough deck material.
- Install an access panel to allow the pump to be serviced.
- Position the plumbing according to the roughing-in information. Cap the supplies, and check for leaks.

3. Prepare the Whirlpool

- We recommend a tiling-in bead for straight-rimmed whirlpools, if one or more sides of the whirlpool contact a wall. This bead prevents water from seeping between the whirlpool rim and the wall. Follow the instructions packed with the tiling-in bead to install the bead now.
- Install the drain to the whirlpool according to the drain manufacturer's instructions. Do not connect the trap at this time.
- Position a clean drop cloth or similar material in the bottom of the whirlpool. Be careful not to scratch the surface of the whirlpool.



4. Disconnect the Pump

IMPORTANT! No cutting of the whirlpool harness (pipes) is required for this installation. Any cutting of the whirlpool harness will void the warranty.

- Disconnect the pump from the whirlpool by cutting the two banding straps with a tin snips.

NOTE: The heater may be attached to the pump or already in the custom pump location, as models vary.

IMPORTANT! Two methods of pump relocation are described below. Choose the method which is best suited for your particular whirlpool installation.

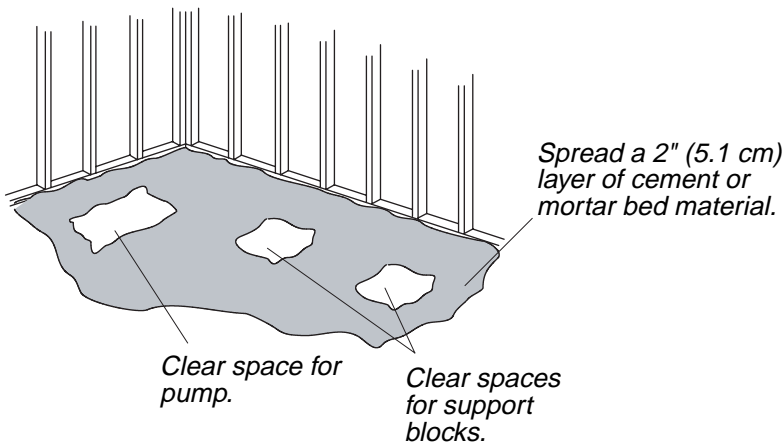
5. Relocate the Pump - Option A

Drop-in Installations

- Relocate the heater and/or pump next to the customized inlet/outlet connections of the whirlpool harness. The pump may protrude beyond the rim of the whirlpool. Refer to the roughing-in details.
- Feed the supplied cable ties through the holes in the bracket attached to the backside of the whirlpool, and located above the new pump.
- Temporarily secure the pump to the whirlpool by wrapping the cable ties around the pump and control.
- Follow all procedures in the "Install the Whirlpool" section. While moving the whirlpool into position, the pump will be temporarily suspended. Be careful not to damage the pump and control while guiding the whirlpool into position.
- Remove the cable ties and connect the pump to the harness by following all procedures in the "Mount the Pump in Custom Location" section.

6. Relocate the Pump - Option B

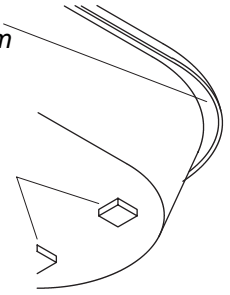
- Set the pump aside.
- Follow all the procedures in the "Install the Whirlpool" section.
- Through the access panel, move the pump to the new location. Connect the pump to the harness by following all the procedures in the "Mount the Pump in Custom Location" section.



Apply a bead of silicone sealant around the entire rim

or

Apply construction adhesive to the support blocks.



7. Secure the Whirlpool to the Subfloor



CAUTION: Risk of product damage. Do not lift the whirlpool by the piping or pump, or use the piping or pump for structural support of the whirlpool.

□ Choose the installation option that best applies to your particular installation. Follow the appropriate instructions.

□ If the subfloor is not level, shim the whirlpool support blocks as necessary.

Option for Using a Cement or Mortar Bed

□ Spread a 2" (5.1 cm) thick layer of cement or mortar on the subfloor where the whirlpool will be set. This will help secure, level, and support the unit. Clear all the material away from the pump control and support block locations.

NOTE: Do not use gypsum cement or drywall compound for this application, as they will not provide an acceptable, durable bond.

NOTE: The pump control (when the pump banding straps are cut) and support blocks must rest directly on the subfloor.

□ Position a piece of plastic drop cloth material on top of the cement or mortar bed. With help, carefully lift the whirlpool into place, and make sure the pump control and support blocks do not rest in the bed material.

□ Insert the drain tailpiece into the trap. Make sure the whirlpool is level and resting on all support blocks.

Option for Using Construction Adhesive

□ Apply a generous amount of high-quality construction adhesive to the bottom of the support blocks. With help, carefully lift the whirlpool into position.

□ Insert the drain tailpiece into the trap. Make sure the whirlpool is level and resting on all support blocks.

Option for Using Silicone Sealant

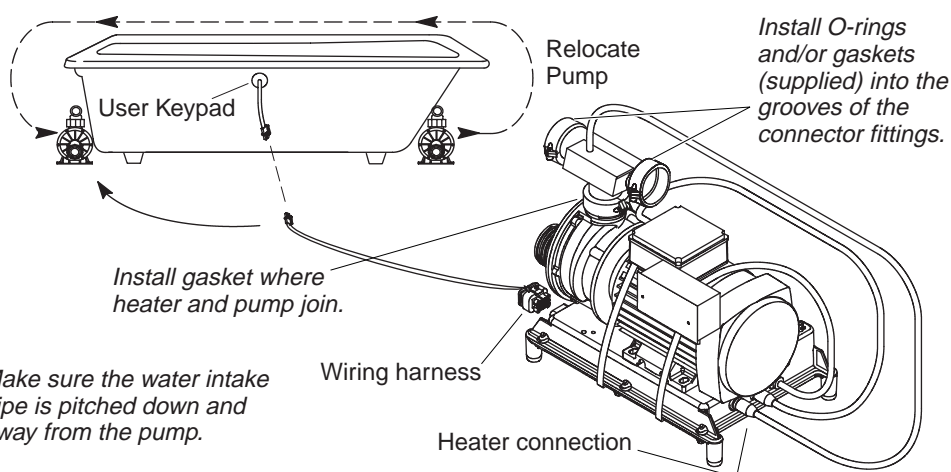
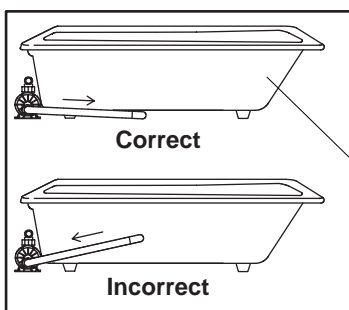
□ With help, carefully lift the whirlpool into position.

□ Insert the drain tailpiece into the trap. Make sure the whirlpool is level and resting on all support blocks.

□ Apply a continuous bead of high-quality silicone sealant around the entire rim of the whirlpool.

When installing the pump, be sure to remove the plugs from the inlet and outlet piping.

Provide access to the installed pump for servicing.



8. Mount the Pump in Custom Location

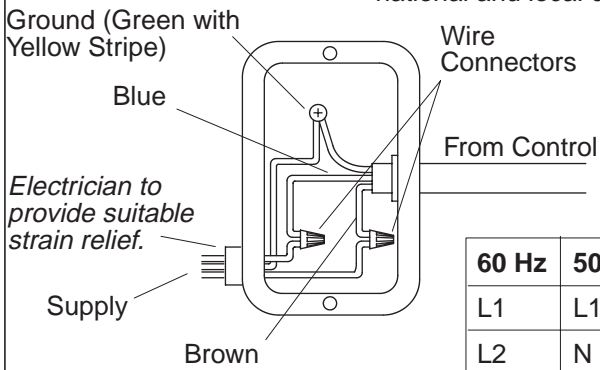
- Remove all protective packaging from around the whirlpool harness. Cut only those cable ties supporting the harness attachment nuts.
- Remove the plugs from the pump inlet and outlet openings. Install the supplied gasket in the connection where the heater and pump join. Install the supplied O-rings/gaskets on the inlet and outlet connector fittings.
- Position the pump and control into place. Be sure the rubber isolation feet remain in place.
- Thread the plastic inlet and outlet attachment nuts onto the heater and/or pump until the O-rings/gaskets make initial contact.
- Tighten each nut no more than another quarter of a turn. **Do not use a wrench or overtighten these nuts, as damage or leaks may result.**
- Make sure the whirlpool harness piping is pitched correctly (down and away) to promote the drainage of water from the pump through the suction fitting. The pump should rest on the same subfloor, at the same level as the whirlpool feet. Shim the pump if necessary on the subfloor, but only high enough to allow water to drain out of the suction line when the whirlpool is drained.

NOTE: Do not shim the pump more than 1/4" (6 mm). Raising the pump too high will prevent the pump from priming properly.

- If your heater was already installed in the custom location, simply plug the heater cord into the heater connection on the control by aligning the pins and pressing it into place.
- Locate the solid copper 8-gauge bonding wire, which has been secured to the bracket upon which the pump has shipped. Feed this bonding wire back to the pump and control, in the custom location, and connect to one of the open bonding lugs on the control box. This is necessary to bond any metal back to the grounding source.
- Make sure the wiring from the bath-mounted user keypad is connected to the wiring harness on the control.

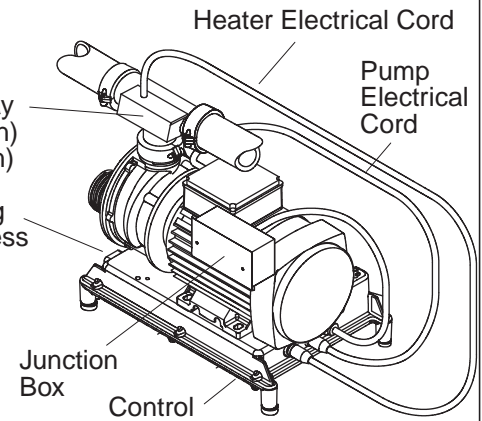
The junction box should be wired as shown.

Bond in accordance with national and local codes.



Heater (models may vary) T-style (shown) or inline (not shown)

60 Hz	50 Hz	From Control
L1	L1	Brown
L2	N	Blue



9. Install the Plumbing



CAUTION: Risk of property damage. Ensure a watertight seal on the whirlpool drain.

- Connect the drain to the trap according to the drain manufacturer's instructions.

NOTICE: An access panel will simplify future maintenance.

- Install the faucet valving according to the faucet manufacturer's instructions. Do not install the faucet trim until instructed. Open the hot and cold water supplies, and check the supply connections for leakage.
- Run water into the whirlpool, and check the drain connections for leakage.
- If your whirlpool requires grip rails, install them now according to the installation instructions packed with the grip rails.

10. Make Electrical Connections

NOTE: The whirlpool model number is printed on a label near the whirlpool pump. This label also identifies the electrical rating of the whirlpool. **All whirlpools come equipped with a wiring junction box and will only operate at 220 V through 240 V and at 50 Hz or 60 Hz.**



WARNING: Risk of electric shock. To reduce the risk of electric shock, connect the pump to a properly grounded Ground-Fault Circuit-Interrupter (GFCI) or Earth-Leakage Circuit-Breaker (ELCB). This will provide additional protection against line-to-ground shock hazard. A 220 - 240 V, 20 A, 50/60 Hz dedicated circuit is required.

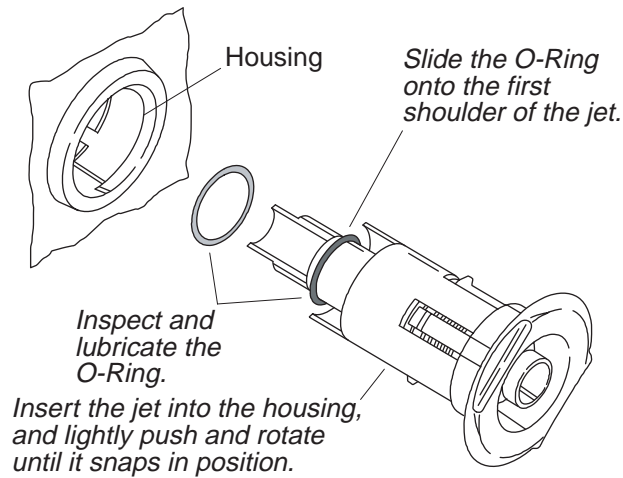


WARNING: Risk of electric shock. Make sure the power has been disconnected before performing the following procedures.

- The whirlpool controls and system have been prewired at the factory. A licensed electrician should make a routine service connection to the junction box.
- Connect service to the junction box. The junction box contains blue, brown and green with a yellow stripe colored wires and a ground lug.
- Provide a separate equipment earthing conductor for the earth lug located inside the junction box. The earthing conductor **must not** be connected to any current-carrying conductor. Follow local electrical codes. Bond in accordance with national and local codes.
- A wiring harness has been prewired at the factory, allowing communication between the keypad, all features, and the control. No additional wiring is required, but ensure that all wires are securely fastened.

Make Electrical Connections (cont.)

NOTE: Your wiring harness includes an antenna for the optional remote control. Do not alter or damage this antenna during installation.



11. Install the Whirlpool Trim Kit

- Install the whirlpool trim kit according to the instructions packed with the trim kit. Pay particular attention to the jet installation steps below - they are very important and are included here to help you obtain smooth, trouble-free jet operation.

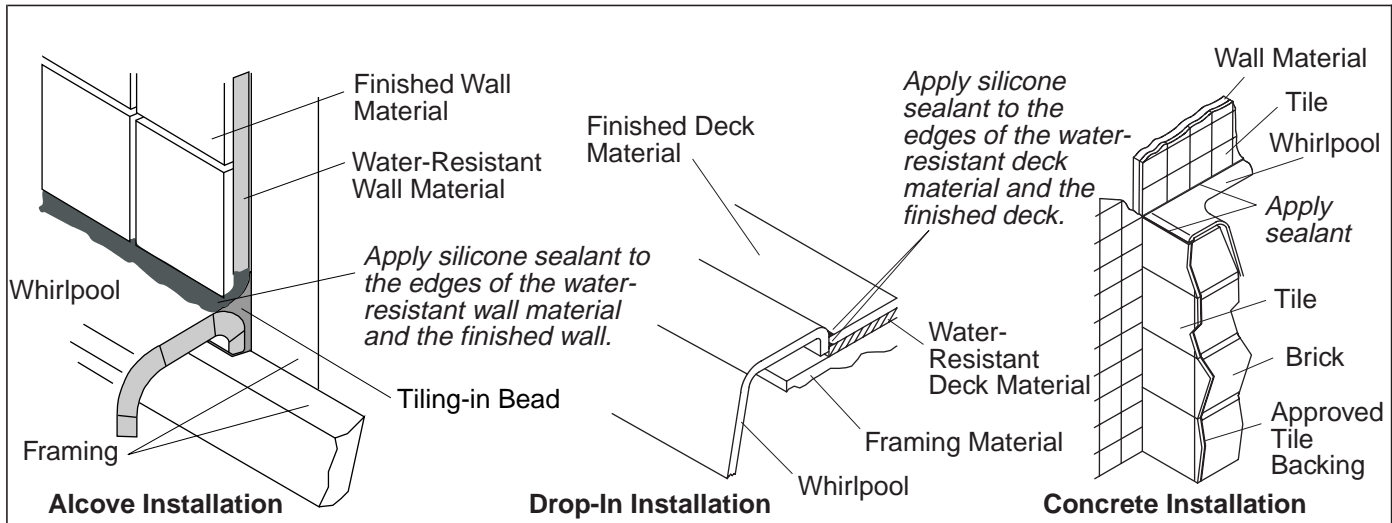
NOTE: The jet O-ring must be correctly positioned, must be lubricated, and must be in good condition to permit easy rotation and proper operation of the jet.

- Install the O-ring onto the **first shoulder** of the jet. Lubricate the O-ring with silicone lubricant to prevent noisy operation of the jet.
- Carefully insert the jet into the housing, and lightly push and rotate the jet until it snaps into position. **Do not force the jet.**

NOTE: When installed correctly, the jet should turn smoothly both clockwise and counterclockwise.

12. Test Run the Whirlpool

- Check all electrical connections, and make sure the electrical power to the whirlpool is turned on.
- Make sure all union connections to the pump and heater are securely hand tightened.
- Verify that the pump banding straps have been cut, and that the pump control is resting directly on the subfloor. Ensure that the rubber isolation feet are in place.
- Fill the whirlpool to a level at least 2" (5.1 cm) above the top of the highest jet.
- Operate the whirlpool for 5 minutes (refer to the "Operating Sequence" section) and check all whirlpool piping connections, on the back side, for leaks.
- For additional information on whirlpool operation, see "Confirm Proper Operation" section.



13. Complete the Finished Wall/Deck

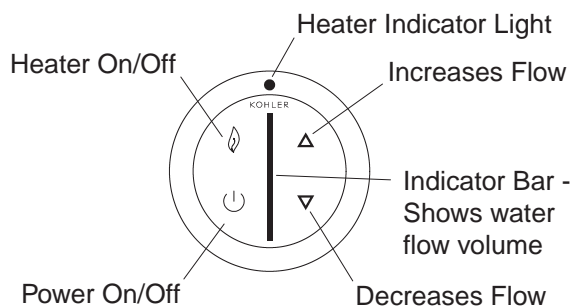
- If you have not already done so, carefully remove the protective tape from the whirlpool rim.
- Cover the framing with water-resistant wall/deck material. Seal the joints between the whirlpool rim edge and the water-resistant wall/deck material with silicone sealant.
- Tape and mud the water-resistant wall/deck material. Install the finished wall/deck to the water-resistant wall/deck material. Seal the joints between the whirlpool rim and the finished wall/deck material with silicone sealant.
- Install the faucet trim according to the instructions packed with the trim.

14. Complete the Concrete Installation

- If you have not already done so, carefully remove the protective tape from the whirlpool rim.
- Apply mortar and tile to the wall, deck and surround material as needed.
- Apply a bead of sealant where the tile meets the whirlpool surface.
- Install the faucet trim according to the instructions packed with the trim.

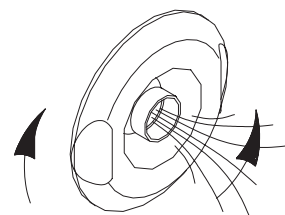
15. Clean-Up After Installation

- When cleaning up after installation, **do not use abrasive cleansers**, as they may scratch and dull the whirlpool surface. If necessary, use warm water and a liquid detergent to clean the surface of the whirlpool, user keypad and remote control.
- Remove stubborn stains, paint, or tar with turpentine or paint thinner. **Do not allow cleaners containing petroleum distillates to remain in contact with any whirlpool surfaces for long periods of time.** Remove plaster by carefully scraping with a wood edge. Do not use metal scrapers, wire brushes, or other metal tools. Use a powder-type detergent on a damp cloth to provide mild abrasive action to any residual plaster.



Lighted User Keypad

Turn the jet trim clockwise to decrease the flow.



Turn the jet trim counterclockwise to increase the flow.

16. Confirm Proper Operation

Fill the Whirlpool

NOTE: Please read these steps carefully before you operate your whirlpool.

- Position the jet nozzles so they face down toward the basin. Turn the jet trim rings fully counterclockwise.
- **Fill the whirlpool to a water level at least 2" (5.1 cm) above the top of the highest jet.**

NOTE: The water temperature in the whirlpool should not exceed 104° F (40° C). The heater will automatically turn off as the water temperature approaches 104° F (40° C) and will remain off until the water cools.

17. Operating Sequence

NOTE: A built-in heater automatically helps to maintain the water temperature when the whirlpool is running, as long as the water temperature does not exceed 104° F (40° C). The heater will disengage at higher temperatures.

IMPORTANT! Please refer to your Homeowners Guide for detailed instructions on the user keypad and optional remote control.

- Press the Power On/Off button to turn on the whirlpool. The whirlpool will start at medium flow.
- Increase or decrease the water flow by pressing either the up or down arrow buttons on the keypad. An indicator bar in the center of the keypad shows the water flow volume.
- Adjust each jet for optimum air/water mixture. Turn the jet trim clockwise to reduce the air flow, and counterclockwise to increase the air flow.
- Press the heater button to turn the heater off and back on. When illuminated, the indicator light shows that the water temperature will be maintained up to 104° F (40° C).
- Press the Power On/Off button a second time to turn the whirlpool off.

NOTE: A built-in timer automatically stops the pump and motor after approximately 20 minutes of operation.

18. Troubleshooting Procedures

This troubleshooting guide is for general aid only. A Kohler Authorized Service Representative or qualified electrician should correct all electrical problems. For warranty service, contact your dealer or wholesale distributor.

Troubleshooting Procedures (cont.)

Troubleshooting the Whirlpool System

Symptoms	Probable Causes	Recommended Action
1. User keypad does not illuminate when power button is pressed or outer ring is rotated.	<p>A. No power to control.</p> <p>B. GFCI or ELCB tripped.</p> <p>C. Wiring harness from user keypad to control is loose, disconnected or damaged.</p> <p>D. User keypad does not work.</p> <p>E. Control does not work.</p>	<p>A. Check wiring and connect power.</p> <p>B. Reset GFCI or ELCB.</p> <p>C. Check wiring for proper connections. Replace wiring harness if necessary.</p> <p>D. Replace user keypad.</p> <p>E. Replace control.</p>
2. Motor starts, but all jets are not functioning.	<p>A. Jet is closed.</p> <p>B. Jet not installed correctly.</p> <p>C. Jets are blocked.</p>	<p>A. Rotate jet trim counterclockwise to open.</p> <p>B. Reinstall jet; check for O-ring damage.</p> <p>C. Remove blockage.</p>
3. User keypad is illuminated, but does not respond to buttons or outer ring.	<p>A. Control program is locked.</p> <p>B. Wiring harness from user keypad to control is loose, disconnected or damaged.</p> <p>C. User keypad does not work.</p> <p>D. Control does not work.</p>	<p>A. Reset GFCI or ELCB.</p> <p>B. Check wiring for proper connections. Replace wiring harness if necessary.</p> <p>C. Replace user keypad.</p> <p>D. Replace control.</p>
4. User keypad indicator bar keeps scanning at power-up.	<p>A. Control program is locked.</p> <p>B. Wiring harness from user keypad to control is loose, disconnected or damaged.</p> <p>C. User keypad does not work.</p> <p>D. Control does not work.</p>	<p>A. Reset GFCI or ELCB.</p> <p>B. Check wiring for proper connections. Replace wiring harness if necessary.</p> <p>C. Replace user keypad.</p> <p>D. Replace control.</p>
5. User keypad is illuminated, but pump won't start.	<p>A. Power cord from pump to control is loose, disconnected or damaged.</p> <p>B. Pump does not work.</p> <p>C. Control does not work.</p>	<p>A. Check wiring for proper connections.</p> <p>B. Replace pump.</p> <p>C. Replace control.</p>
6. Motor runs but pump won't prime (cavitates).	<p>A. Pump is shimmed too high.</p> <p>B. Small air leak at pump inlet.</p> <p>C. Motor/pump does not work.</p> <p>D. Control does not work.</p>	<p>A. Lower pump/control to subfloor level.</p> <p>B. Securely tighten nut(s) on intake side of pump.</p> <p>C. Replace motor/pump.</p> <p>D. Replace control.</p>
7. Pump stops before 18 minutes.	<p>A. GFCI or ELCB tripped.</p> <p>B. Suction is blocked.</p> <p>C. Jets are blocked.</p> <p>D. Motor overheated and protection device activated.</p>	<p>A. Identify source of fault, and correct. Reset GFCI or ELCB.</p> <p>B. Remove obstruction.</p> <p>C. Remove blockage.</p> <p>D. Check for blockage at suction and/or jets. Remove blockage and allow motor to cool.</p>
8. Pump does not automatically stop after 22 minutes.	<p>A. 20-minute timer inadvertently disabled.</p>	<p>A. See service manual.</p>
9. Pump won't turn off when the power button on user keypad is pressed.	<p>A. User keypad does not work.</p>	<p>A. Replace user keypad.</p>

Troubleshooting Procedures (cont.)

Symptoms	Probable Causes	Recommended Action
	B. Control does not work.	B. Replace control.
10. Pump operates but variable speed feature does not work.	A. Motor/pump does not work. B. Control does not work.	A. Replace motor/pump. B. Replace control.
11. Bath water cools while pump is operating.	A. Water temperature above 104° F (40° C). B. Heater is turned off on user keypad. C. Wiring from heater to control is loose, disconnected or damaged. D. Heater does not work. E. Control does not work.	A. Allow bath water to cool. B. Turn heater on. C. Check wiring for proper connections. D. Replace heater. E. Replace control.
12. Noisy operation.	A. Pump banding straps have not been cut. B. Dry or dislodged jet O-ring (squeal).	A. Cut pump banding straps with tin snips. B. Remove jet, replace and lubricate O-ring, and reinstall jet.
13. Remote control (if equipped) does not work.	A. Batteries improperly installed or dead. B. Antenna on wiring harness is damaged. C. Remote control not programmed correctly. D. Remote control does not work. E. Control does not work.	A. Replace batteries. B. Replace wiring harness. C. See homeowners guide or service manual. D. Replace remote control. E. Replace control.

Guide d'installation

Baignoire à hydromassage à option pompe customisée

Renseignements importants



AVERTISSEMENT : Lors de l'utilisation des produits électriques, des précautions de base devraient toujours être observées, incluant ce qui suit :



DANGER : Risque d'électrocution. Raccorder uniquement à des circuits protégés par un Disjoncteur de Fuite de Terre (GFCI) ou à un Disjoncteur de Mise à la Terre (ELCB).

Les matériaux de construction et le câblage doivent être posés loin de la pompe et des autres composants conducteurs de chaleur de l'unité.

Installer de façon à permettre l'accès pour l'entretien.

Un connecteur à pression pour câbles marqué "Terre/Masse" est fourni dans le compartiment de câblage. Afin de réduire les risques de choc électrique, raccorder le connecteur à une borne de terre du panneau de service électrique avec un câble en cuivre ayant la même dimension que le fil conducteur qui alimente cet équipement.

Un connecteur à pression par câble est prévu à l'extérieur de la boîte de jonction de la pompe ou de la commande de cet appareil afin de permettre la connexion entre l'appareil et toutes autres surfaces de métal avoisinantes, tel que requis par les normes locales.

Une mise à la terre est requise. L'appareil doit être installé et mis à la terre par un représentant qualifié.



AVERTISSEMENT : Risque d'électrocution. Tous les raccords électriques devraient être réalisés par un électricien agréé.



AVERTISSEMENT : Risque d'électrocution. Débrancher l'alimentation avant de procéder à l'entretien.



AVERTISSEMENT : Risque de blessures ou d'endommagement du matériel. Veuillez s'il vous plaît lire avec attention toutes les instructions avant de commencer l'installation, y compris les conditions suivantes:

AVIS : Respecter tous les codes de plomberie et électriques locaux.

Information sur le produit

Branchements électriques requis

Cette installation électrique doit avoir deux Disjoncteurs-Interrupteur de Fuite de Terre (GFCI) ou deux Disjoncteurs mis à la Terre (ELCB). Les disjoncteurs GFCI ou le ELCB protègent contre un risque d'électrocution. **Raccorder la baignoire à hydromassage à une alimentation indépendante de 220/240 V, 20 A, 50/60 Hz.**

Notices du produit



AVERTISSEMENT : Des modifications non approuvées pourraient provoquer un fonctionnement dangereux ou un mauvais fonctionnement de la baignoire à hydromassage. Cette baignoire à hydromassage a une caractéristique de logement sur mesure pour la pompe. Si cette option a été choisie, les raccords de la pompe seront déjà en place lors de la réception de la baignoire à hydromassage. La pompe devrait uniquement être déplacée à cet emplacement. N'effectuer aucune modification au système car il pourrait en résulter une dégradation du rendement de la baignoire à hydromassage, ce qui pourrait affecter son fonctionnement sécuritaire. Kohler Co. décline toute

Information sur le produit (cont.)

responsabilité, sous ses garanties ou autres, quant à toutes blessures ou dommages causés par de telles modifications non autorisées.

Caractéristiques

Les composants comprennent une pompe, un chauffeau, un contrôle et un voyant lumineux (clavier de l'utilisateur).

Connexions et accès pour l'entretien

S'assurer d'avoir suffisamment d'accès pour les connexions finales avant l'installation.

AVIS : Fournir un large accès non restreint de service à la pompe. Prévoir suffisamment d'accès pour l'entretien futur de la pompe et des commandes. L'accès doit être situé tout près de la pompe. Étudier le plan de raccordement qui accompagne la baignoire à hydromassage.

Sommaire

Renseignements importants	1
Information sur le produit	1
Branchements électriques requis	1
Notices du produit	1
Caractéristiques	2
Connexions et accès pour l'entretien	2
Merci d'avoir choisi la compagnie Kohler	2
Avant de commencer	3
Outils et matériels	3
Préparer le site	4
Préparer le site	5
Préparer la baignoire à hydromassage	5
Débrancher la pompe	6
Relocaliser la pompe - Option A	6
Relocaliser la pompe - Option B	6
Sécuriser la baignoire à hydromassage au plancher	7
Monter la pompe dans un emplacement sur mesure	8
Installer la plomberie	9
Faire les raccordements électriques	9
Installer le kit de garniture de la baignoire à hydromassage	11
Tester la baignoire à hydromassage	11
Compléter le mur/comptoir fini	12
Compléter l'installation en béton	12
Nettoyage après installation	12
Confirmer le bon fonctionnement	13
Séquence d'opération	13
Procédures de dépannage	14

Merci d'avoir choisi la compagnie Kohler

Nous apprécions votre engagement envers la qualité Kohler. Veuillez prendre s'il vous plaît quelques minutes pour lire ce manuel avant de commencer l'installation. Ne pas hésiter à nous contacter en cas de problème d'installation ou de fonctionnement. Nos numéros de téléphone et notre adresse du site internet sont au verso. Merci encore d'avoir choisi la compagnie Kohler.

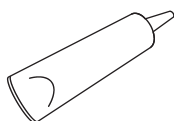
Avant de commencer



ATTENTION : Risque d'endommagement du produit. Ne pas soulever la baignoire à hydromassage par la tuyauterie ou par la pompe ou utiliser la tuyauterie ou la pompe pour supporter la baignoire.

- Nous recommandons cette baignoire à hydromassage pour une installation, encastrée, dans un coin ou dans une alcôve.
- Avant l'installation, inspecter la baignoire à hydromassage pour en déceler tout dommage.
- Cette baignoire à hydromassage doit être installée sur un sol nivelé adéquat.
- Lorsqu'il est utilisé, le bandeau optionnel doit être installé avant d'installer le sol fini et les matériaux du mur.
- Confirmer un support adéquat pour le robinet à montage sur rebord; les gros robinets qui auraient été utilisés par inadvertance comme moyen de support ne sont pas appropriés ou sécuritaires pour cette installation.

Outils et matériels



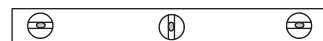
Silicone
d'étanchéité



Mètre ruban



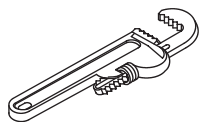
Crayon à
papier



Niveau à bulle



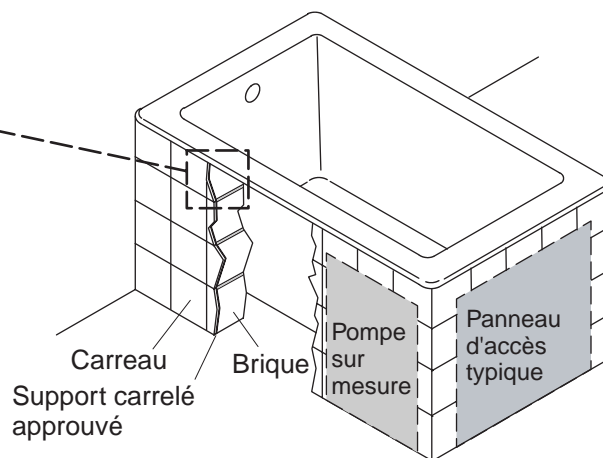
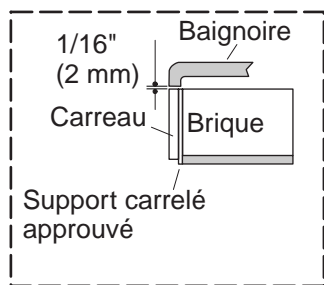
Lunettes de
protection



Clé à griffes

Plus :

- Outils conventionnels de menuiserie ou outils et matériaux pour installation
- Bâche de protection



La baignoire à hydromassage peut être installée contre le mur ou sur un podium.

Installer un panneau d'accès pour un entretien futur de la pompe.

1. Préparer le site

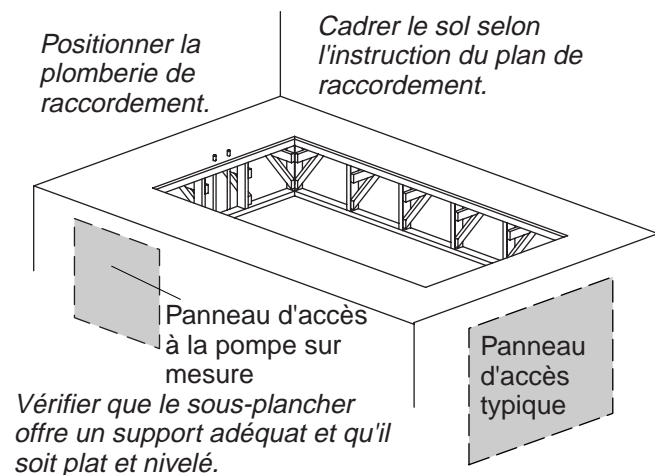
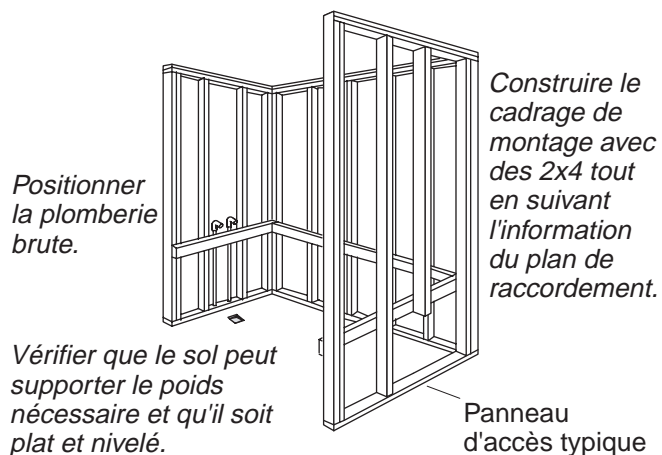
Construction en béton

AVIS : Un support adéquat doit être fourni. Consulter le guide du raccordement emballé avec la baignoire à hydromassage pour les spécifications de préparation du sol.



ATTENTION : Risque d'endommagement du produit. Ne pas soulever la baignoire à hydromassage par le rebord.

- S'assurer que le sol constitue un support adéquat pour la baignoire à hydromassage et que le plancher soit plat et nivelé.
- Cette baignoire à hydromassage peut être installée contre le mur ou sur un podium. L'installation sur podium nécessite un encadrement sur les quatre côtés. Dans les deux cas, s'assurer que le comptoir soit supporté par des briques ou par une structure en béton.
- Installer un panneau d'accès pour un entretien futur de la pompe.
- Construire des supports en brique ou béton.
- Fournir un dégagement de [1/16" (2 mm)] entre le rebord de la baignoire à hydromassage et le cadre en brique ou ciment. Cadrer le sol ou construire un cadre pour une installation surélevée, en accordance avec le plan de raccordement fourni avec la baignoire à hydromassage.
- Déterminer l'emplacement de la plomberie selon le plan de raccordement fourni. Boucher les alimentations et vérifier s'il y a des fuites.



2. Préparer le site

Construction en bois

AVIS : Un support adéquat doit être fourni. Consulter le guide du raccordement emballé avec la baignoire à hydromassage pour les spécifications de préparation du sol.

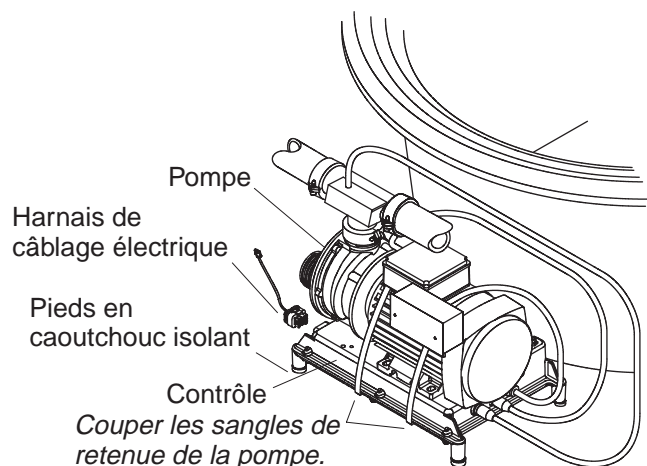


ATTENTION : Risque d'endommagement du produit. Ne pas soulever la baignoire à hydromassage par le rebord.

- S'assurer que le sol constitue un support adéquat pour la baignoire à hydromassage et que le plancher soit plat et nivelé.
- La baignoire à hydromassage peut être installée dans un espace encastré, un angle, ou une alcôve. Construire un cadre de montage de 2x4 pour cette installation particulière. Cadrer le sol ou construire un cadre pour une installation surélevée en concordance avec le plan de raccordement fourni avec la baignoire à hydromassage.
- À l'aide du plan de raccordement, tracer et découper avec précaution le matériau brut du comptoir.
- Installer un panneau d'accès pour un entretien futur de la pompe.
- Positionner la plomberie selon l'information du plan du raccordement. Boucher les alimentations et vérifier s'il y a des fuites.

3. Préparer la baignoire à hydromassage

- Nous recommandons un rebord en carrelage pour des baignoires à hydromassage à côté plat, si un ou plusieurs côtés sont en contact avec un mur. Ceci préviendra l'infiltration d'eau entre le rebord de la baignoire à hydromassage et le mur. Suivre les instructions d'installation fournies avec le rebord carrelé pour l'installer maintenant.
- Installer le drain sur la baignoire à hydromassage selon les instructions du fabricant. Ne pas connecter le siphon à ce moment.
- Placer un chiffon propre ou matière similaire à la base de la baignoire à hydromassage. S'assurer de ne pas rayer la surface de la baignoire à hydromassage.



4. Débrancher la pompe

IMPORTANT ! Aucune découpe du harnais de la baignoire à hydromassage (tuyaux) n'est requise pour cette installation. Toute découpe du harnais annulera la garantie.

- Débrancher la pompe en sectionnant les deux sangles de retenue avec une cisaille de ferblantier.

REMARQUE : Le chauffeau peut être attaché à la pompe ou déjà dans l'emplacement sur mesure de la pompe, modèles variant.

IMPORTANT ! Deux méthodes de relocalisation de la pompe sont décrites ci-dessous. Choisir la méthode la mieux appropriée à l'installation particulière de la baignoire à hydromassage.

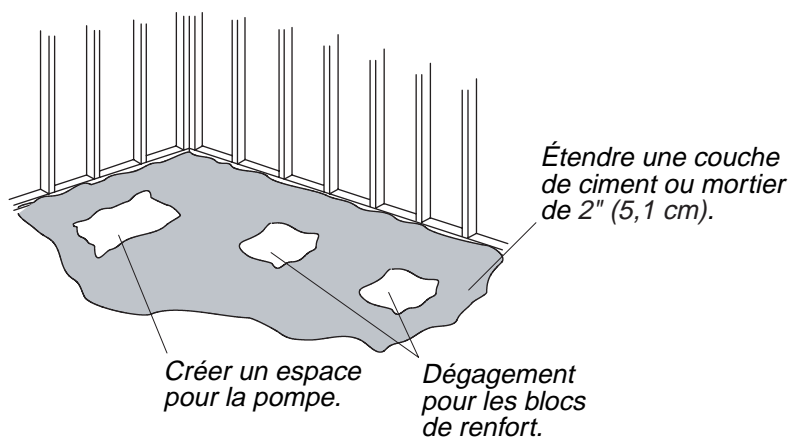
5. Relocaliser la pompe - Option A

Installations encastrées

- Relocaliser le chauffeau et/ou la pompe à côté des raccords d'alimentation et d'évacuation sur mesure du harnais de la baignoire à hydromassage. Il se peut que la pompe dépasse du rebord de baignoire à hydromassage. Se référer aux détails du plan de raccordement.
- Passer les serre câbles fournis à travers les trous dans le montant arrière de la baignoire à hydromassage, et relocaliser sur la nouvelle pompe.
- Sécuriser temporairement la pompe à la baignoire à hydromassage en enroulant les serre-câbles autour de la pompe et du contrôle.
- Suivre les procédures de la section "Installer la baignoire à hydromassage". Lors de la mise en position de la baignoire à hydromassage, la pompe sera temporairement suspendue. Faire attention de ne pas endommager la pompe et le contrôle en guidant la baignoire à hydromassage en place.
- Retirer les serre-câbles et connecter la pompe au harnais en suivant toutes les procédures de la section "Monter la pompe dans un emplacement sur mesure".

6. Relocaliser la pompe - Option B

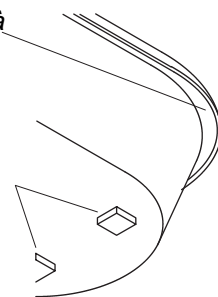
- Mettre la pompe de côté.
- Suivre toutes les procédures de la section "Installer la baignoire à hydromassage".
- A travers le panneau d'accès, déplacer la pompe à son nouvel emplacement. Connecter la pompe au harnais en suivant toutes les procédures de la section "Monter la pompe dans un emplacement sur mesure".



Appliquer un cordon de mastic à la silicone tout autour du rebord

ou

Appliquer un adhésif de construction sur les blocs de soutien.



7. Sécuriser la baignoire à hydromassage au plancher



ATTENTION : Risque d'endommagement du produit. Ne pas soulever la baignoire à hydromassage par la tuyauterie ou par la pompe ou utiliser la tuyauterie ou la pompe pour supporter la baignoire.

- Choisir l'option d'installation qui s'applique le mieux à votre installation. Suivre les instructions correspondantes.
- Si le plancher n'est pas nivelé, placer des blocs de renfort sous la baignoire à hydromassage, si nécessaire.

Option pour l'utilisation de ciment ou de mortier

- Étendre une couche de ciment ou mortier de [2" (5,1 cm)] d'épaisseur sur le plancher à l'endroit d'installation de la baignoire. Ceci aidera à la fixation, au nivelage et au support de l'unité. Nettoyer tout matériau se trouvant à la base de la pompe et aux emplacements des blocs de support.

REMARQUE : Ne pas utiliser de plâtre ou un mélange pour cloison sèche pour cette installation, car ces produits ne fourniront pas un scellement acceptable, et durable.

REMARQUE : Le contrôle de la pompe (une fois les sangles de retenue coupées) et les blocs de support doivent reposer directement sur le sol.

- Déposer une bâche de plastique sur le lit de ciment ou de mortier. Avec de l'aide, soulever et mettre soigneusement la baignoire à hydromassage en place et s'assurer que le contrôle de la pompe et les blocs de support ne reposent pas dans le matériau de l'embase.
- Insérer la pièce de raccordement du drain dans le siphon. S'assurer que la baignoire à hydromassage soit nivelée et qu'elle repose sur les blocs de renfort.

Option pour l'utilisation d'un adhésif de construction

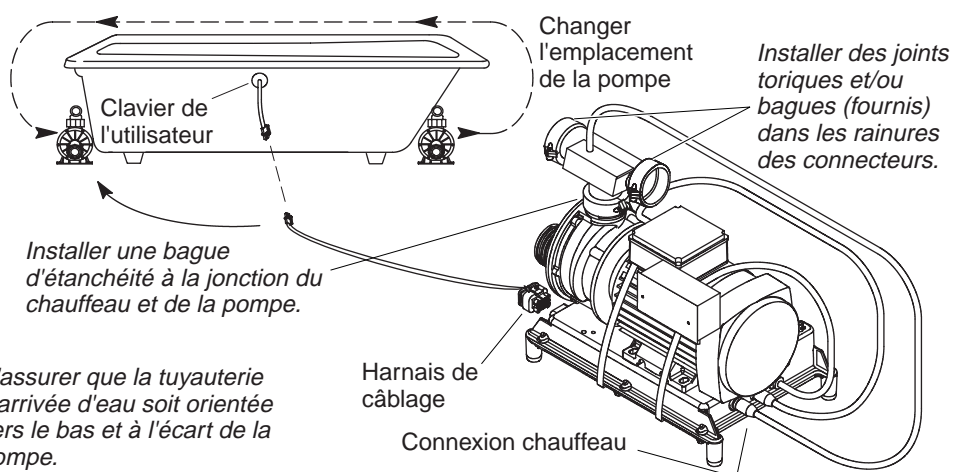
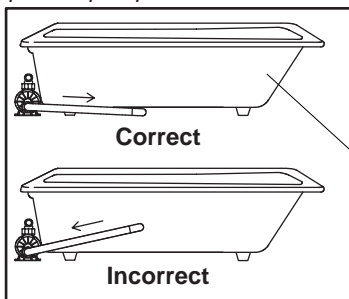
- Appliquer un adhésif de construction de haute qualité à la base des blocs de renfort. Avec de l'aide, positionner la baignoire à hydromassage.
- Insérer la pièce de raccordement du drain dans le siphon. S'assurer que la baignoire à hydromassage soit nivelée et qu'elle repose sur les blocs de renfort.

Option d'utilisation d'un joint en silicone

- Avec de l'aide, positionner la baignoire à hydromassage.
- Insérer la pièce de raccordement du drain dans le siphon. S'assurer que la baignoire à hydromassage soit nivelée et qu'elle repose sur les blocs de renfort.
- Appliquer du mastic à la silicone de bonne qualité tout autour du rebord de la baignoire à hydromassage.

Lors de l'installation de la pompe, s'assurer de retirer les bouchons de la tuyauterie d'alimentation et d'évacuation d'eau.

Prévoir un accès d'entretien pour la pompe installée.



8. Monter la pompe dans un emplacement sur mesure

- Retirer tout emballage protecteur d'autour du harnais de la baignoire à hydromassage. Couper seulement les serre-câbles qui soutiennent les écrous de raccordement du harnais.
- Retirer les bouchons de l'entrée et de sortie de la pompe. Installer le joint fourni dans la connexion à la jonction du chauffeau et de la pompe. Installer les joints toriques fournis dans les rainures des raccordements d'arrivée et d'évacuation.
- Positionner la pompe et le contrôle. S'assurer que pieds d'isolation en caoutchouc soient maintenus en place.
- Visser les écrous plastiques de raccordement de la tuyauterie d'arrivée et d'évacuation à la pompe jusqu'au contact initial des joints toriques/joints.
- Ne pas serrer les écrous plus d'un autre quart de tour. **Ne pas utiliser de clé ou trop serrer ces écrous afin d'éviter un endommagement ou des fuites.**
- S'assurer que le harnais de la tuyauterie de la baignoire à hydromassage soit incliné correctement (vers le bas et à l'écart) pour faciliter l'évacuation d'eau de la pompe par les raccords d'aspiration. La pompe devrait reposer sur le même plancher, au même niveau que les pieds de la baignoire. Caler la pompe sur le plancher au besoin, mais assez pour permettre l'évacuation d'eau par la tuyauterie d'aspiration lorsque la baignoire à hydromassage est vidée.

REMARQUE : Ne pas ajouter des cales sous la pompe à plus de [1/4" (6 mm)]. Si la pompe est trop élevée, elle ne s'amorcera pas correctement.

- Si le chauffeau a déjà été installé dans l'emplacement sur mesure, brancher simplement le cordon dans la connexion du chauffeau sur le contrôle en alignant les broches en pressant en place.
- Localiser le fil solide en cuivre d'épaisseur 8 qui a été sécurisé au montant d'expédition de la pompe. Alimenter ce fil de retour à la pompe et au contrôle, dans l'emplacement sur mesure, et connecter à l'une des cosses du boîtier de contrôle. Ceci est nécessaire pour souder tout métal à une surface de terre.
- S'assurer que le câblage du clavier de l'utilisateur de la baignoire soit connecté au harnais du contrôle.

La boîte de jonction doit être connectée selon l'illustration.

Raccorder en accord avec les codes nationaux et locaux.

Terre (vert avec rayures jaunes)

Bleu

L'électricien doit prévoir un réducteur de tension appropriée.

Alimentation

Marron

Câbles connecteurs

Depuis le contrôle

60 Hz	50 Hz	Depuis le Contrôle
L1	L1	Marron
L2	N	Bleu

Chauffeau (modèles peuvent varier) de style T (illustré) ou en ligne (non illustré)

Câblage électrique

Boîte de jonction

Contrôle

Cordon du chauffe électrique

Câble de la pompe électrique

9. Installer la plomberie



ATTENTION : Risque d'endommagement du matériel. Assurer un joint étanche sur le drain de la baignoire à hydromassage.

- Connecter le drain à la trappe selon les instructions du fabricant.

AVIS : Un panneau d'accès facilitera une maintenance future.

- Installer les valves du robinet conformément aux instructions du fabricant. Ne pas installer la bague du robinet avant l'instruction de le faire. Ouvrir les alimentations d'eau chaude et froide et vérifier qu'il n'y ait pas de fuites dans les connexions d'alimentation.
- Laisser couler l'eau dans la baignoire à hydromassage et vérifier qu'il n'y ait pas de fuites dans les raccords du drain.
- Si la baignoire à hydromassage nécessite l'installation de barres d'appui, procéder à l'installation suivant les instructions d'installation qui les accompagnent.

10. Faire les raccordements électriques

REMARQUE : Le numéro de modèle de la baignoire à hydromassage se trouve sur l'étiquette près de la pompe. Cette étiquette identifie les caractéristiques électriques nominales de la baignoire à hydromassage. **Toutes les baignoires à hydromassage sont équipées d'un boîtier de jonction électrique et ne fonctionneront qu'avec du 220V/240V. 50/60Hz.**



AVERTISSEMENT : Risque d'électrocution. Pour réduire les risques d'électrocution, connecter proprement la pompe à un disjoncteur coupe-circuit (GFCI) ou à un coupe-circuit de fuite à la terre (ELCB). Ceci constitue une mesure de protection additionnelle qui préviendra la possibilité d'électrocution. Un circuit dédié de 220V/240V 20 A. (minimum) et 50/60Hz. est nécessaire.



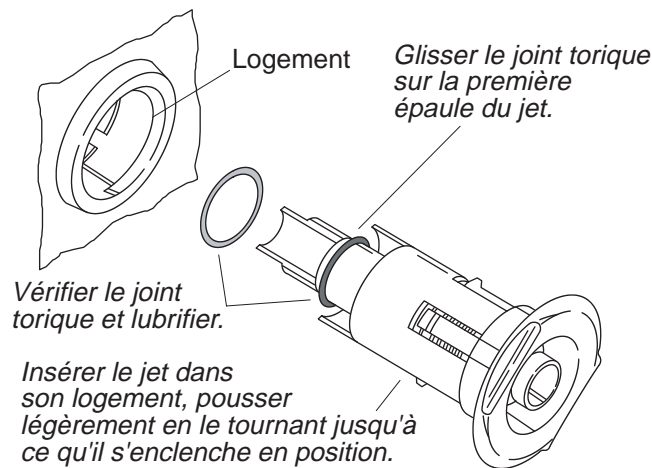
AVERTISSEMENT : Risque d'électrocution. S'assurer que l'alimentation ait été débranchée avant d'effectuer les procédures suivantes.

- Les commandes de baignoire à hydromassage et de système ont été pré-câblées en usine. Un électricien qualifié devrait faire la connexion de routine à la boîte de jonction.
- Connecter le service au boîtier de jonction. La boîte de jonction contient des câbles bleus, marrons et verts à rayures jaunes, ainsi qu'une cosse de mise à la terre.
- Fournir un équipement conducteur à la terre séparé pour la borne de la terre à l'intérieur du boîtier de jonction. Le conducteur de mise à la terre **ne doit pas** être connecté à un conducteur électrique. Suivre tous les codes électriques locaux. Raccorder selon les codes nationaux et locaux.

Faire les raccordements électriques (cont.)

- Un harnais a été pré-câblé en usine, permettant la communication entre le clavier, toutes les caractéristiques, et le contrôle. Pas de câblage supplémentaire ne sera nécessaire, mais s'assurer que tous les câbles soient bien connectés.

REMARQUE : Votre câblage électrique comprend une antenne pour la télécommande optionnelle. Ne pas modifier ou endommager cette antenne pendant l'installation.



11. Installer le kit de garniture de la baignoire à hydromassage

- Installer le kit de garniture de la baignoire à hydromassage selon les instructions qui l'accompagnent. Observer avec attention les directives d'installation du jet ci-dessous - elles sont très importantes et sont incluses pour aider à réaliser une opération sans problème.

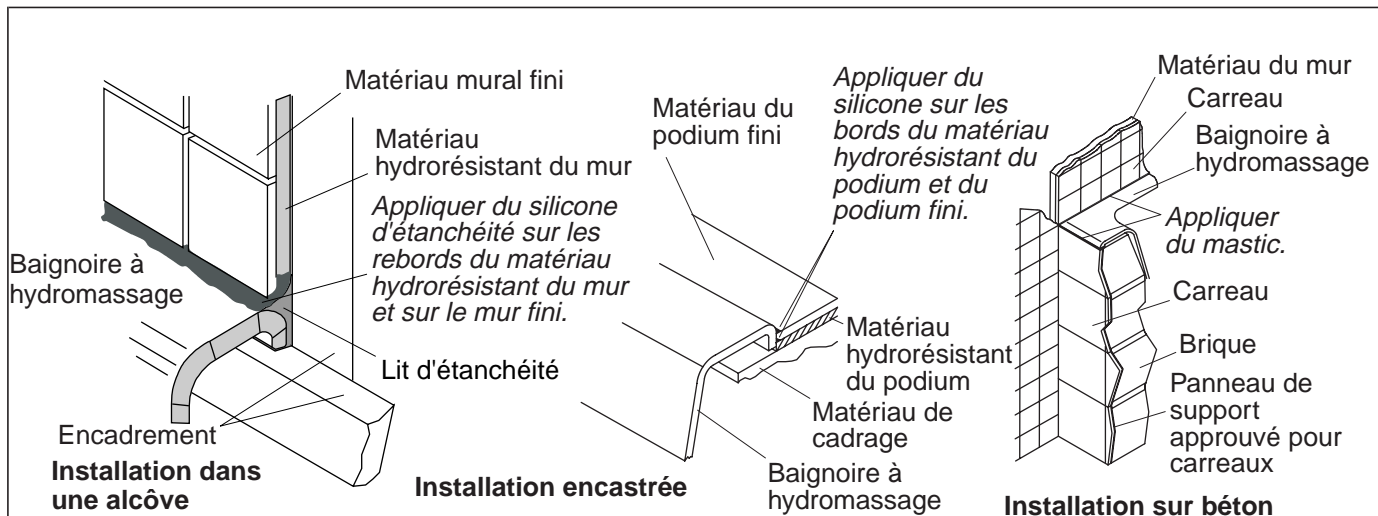
REMARQUE : Le joint torique doit être positionné correctement, il doit être en bon état et lubrifié correctement afin d'assurer la rotation et le bon fonctionnement du jet.

- Installer le joint torique sur le **premier rebord** du jet. Lubrifier le joint torique avec de la silicone de lubrification afin d'éviter le fonctionnement bruyant du jet.
- Insérer délicatement le jet dans le logement, puis pousser et pivoter légèrement jusqu'à ce qu'il s'enclenche en place. **Ne pas forcer le jet.**

REMARQUE : Lorsqu'il est bien installé, le jet devrait pivoter aisément dans les deux sens.

12. Tester la baignoire à hydromassage

- Contrôler toutes les connexions électriques, et s'assurer que l'alimentation électrique de la baignoire à hydromassage soit en marche.
- S'assurer que tous les raccords à la pompe et au chauffeau soient fermement serrés à la main.
- S'assurer également que les sangles de retenue des pompes aient été sectionnées et que la pompe repose directement sur le plancher. S'assurer que les pieds d'isolation en caoutchouc soient bien en place.
- Remplir la baignoire à un niveau d'au moins [2" (5,1 cm)] au-dessus du jet le plus élevé.
- Faire fonctionner la baignoire à hydromassage pendant 5 minutes (se référer à la section "Séquence d'opération") et vérifier tous les raccords des tuyaux de la baignoire à hydromassage, à l'arrière, n'aient pas de fuites.
- Pour plus d'information concernant le fonctionnement de la baignoire à hydromassage, se référer à la section "Confirmation du bon fonctionnement".



13. Compléter le mur/comptoir fini

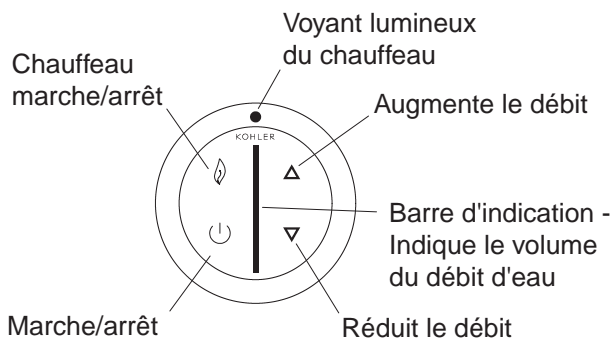
- Retirer soigneusement la pellicule de protection recouvrant la surface de la baignoire à hydromassage si cela n'a pas déjà été fait.
- Recouvrir le cadre avec du matériau hydrorésistant . Fixer les joints entre le rebord de la baignoire à hydromassage et le matériau hydrorésistant du mur/ comptoir à l'aide d'un mastic à la silicone.
- Poser et appliquer le matériau hydrorésistant du mur/comptoir. Installer le mur/comptoir fini sur le matériau hydrorésistant du mur/comptoir. Sceller les joints entre le rebord de la baignoire à hydromassage et le matériau du mur/comptoir fini à l'aide de silicone.
- Installer la bague du robinet suivant les instructions emballées avec la bague.

14. Compléter l'installation en béton

- Retirer soigneusement la pellicule de protection recouvrant la surface de la baignoire à hydromassage si cela n'a pas déjà été fait.
- Appliquer du mortier et poser les carreaux sur le mur, le comptoir et le matériau avoisinant selon le besoin.
- Appliquer un lit d'étanchéité à l'endroit où les carreaux rencontrent le rebord de la baignoire à hydromassage.
- Installer la bague du robinet suivant les instructions emballées avec celle-ci.

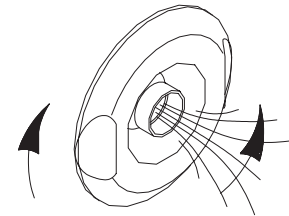
15. Nettoyage après installation

- Lors du nettoyage après l'installation, **ne pas utiliser de nettoyeur abrasif**, car il pourrait rayer et abîmer la surface de la baignoire à hydromassage. Si nécessaire, nettoyer la surface de la baignoire à hydromassage avec un savon doux et de l'eau tiède ainsi que le clavier de l'utilisateur et la télécommande.
- Retirer les taches résistantes, peinture, ou goudron avec de l'essence de térébenthine ou un diluant pour peinture. **Ne pas laisser de produits à base de pétrole en contact avec les surfaces de la baignoire à hydromassage pendant une longue période.** Retirer les résidus de plâtre en raclant au moyen d'un bord en bois. Ne pas utiliser de grattoirs en métal, une brosse en fer ou d'autres outils en métal. Utiliser des nettoyeurs en poudre sur un chiffon humide pour une action abrasive douce sur les résidus de plâtre.



Clavier de l'utilisateur illuminé

Tourner la bague du jet vers la droite pour diminuer le débit de l'eau.



Tourner la bague du jet vers la gauche pour augmenter le débit de l'eau.

16. Confirmer le bon fonctionnement

Remplir la baignoire à hydromassage

REMARQUE : Veuillez lire avec attention ces étapes avant d'opérer la baignoire à hydromassage.

- Orienter les gicleurs des jets vers le fond du bassin. Tourner les bagues de garniture du jet complètement vers la gauche.
- **Remplir la baignoire au moins à [2" (5,1 cm)] au-dessus du jet le plus élevé.**

REMARQUE : La température de la baignoire à hydromassage ne devrait pas excéder 104°F (40° C). Le chauffe s'arrêtera automatiquement si la température dépasse 104°F (40° C) et restera en arrêt jusqu'à ce que l'eau refroidisse.

17. Séquence d'opération

REMARQUE : Un chauffe intégré aide automatiquement à maintenir la température de l'eau constante quand la baignoire à hydromassage est en route, et tant que la température de l'eau ne dépasse 104°F (40° C). Le chauffe s'arrêtera aux hautes températures.

IMPORTANT ! Veuillez s'il vous plaît vous référer au guide du propriétaire pour de plus amples informations concernant l'utilisation du clavier et de la télécommande.

- Presser le bouton On/Off pour activer la baignoire à hydromassage. La baignoire à hydromassage commencera à opérer avec un débit moyen.
- Augmenter ou diminuer le débit de l'eau en pressant sur les flèches haut et bas du clavier. Une barre d'indication située au centre du clavier indique le volume du débit d'eau.
- Ajuster chaque jet pour un mélange optimal d'eau et d'air. Pivoter l'anneau vers la droite pour réduire le débit d'air, ou vers la gauche pour l'augmenter.
- Presser sur l'icône du chauffe pour l'arrêter ou le redémarrer. Lorsqu'allumé, le voyant lumineux indique que la température d'eau sera maintenue jusqu'à 104°F (40° C).
- Appuyer sur le bouton On/Off une deuxième fois, pour arrêter la baignoire à hydromassage.

REMARQUE : Une minuterie intégrée arrête automatiquement la pompe et le moteur après environ 20 minutes de fonctionnement.

18. Procédures de dépannage

Ce guide de dépannage est seulement destiné à une aide générale. Seul un technicien agréé Kohler ou un électricien qualifié devrait corriger tous les problèmes électriques. Pour une réparation sous garantie, contacter le vendeur ou distributeur.

Dépannage de la baignoire à hydromassage

Symptômes	Causes probables	Action recommandée
1. Le clavier ne s'illumine pas quand le bouton est pressé ou quand la bague extérieure est tournée.	<p>A. Pas d'alimentation au contrôle.</p> <p>B. Les disjoncteurs GFCI ou ELCB se déclenchent.</p> <p>C. Le harnais du câblage du clavier est desserré, débranché ou endommagé.</p> <p>D. Le clavier ne fonctionne pas.</p> <p>E. Le contrôle ne fonctionne pas.</p>	<p>A. Vérifier le câblage et connecter l'alimentation.</p> <p>B. Réinitialiser le GFCI ou le ELCB.</p> <p>C. Vérifier les connexions du câblage. Remplacer le harnais du câblage si besoin.</p> <p>D. Remplacer le clavier.</p> <p>E. Remplacer le contrôle.</p>
2. Le moteur démarre, mais tous les jets ne fonctionnent pas.	<p>A. Le jet est fermé.</p> <p>B. Le jet n'est pas installé correctement.</p> <p>C. Les jets sont bloqués.</p>	<p>A. Tourner l'anneau du jet vers la gauche pour l'ouvrir.</p> <p>B. Réinstaller le jet; s'assurer que le joint torique ne soit pas endommagé.</p> <p>C. Débloquer.</p>
3. Le clavier est illuminé mais, ne répond pas aux boutons ou bague extérieure.	<p>A. Le programme de contrôle est bloqué.</p> <p>B. Le harnais du câblage du clavier est desserré, débranché ou endommagé.</p> <p>C. Le clavier ne fonctionne pas.</p> <p>D. Le contrôle ne fonctionne pas.</p>	<p>A. Réinitialiser le GFCI ou le ELCB.</p> <p>B. Vérifier les connexions du câblage. Remplacer le harnais du câblage si besoin.</p> <p>C. Remplacer le clavier.</p> <p>D. Remplacer le contrôle.</p>
4. La barre d'indication du clavier continue le balayage au démarrage.	<p>A. Le programme de contrôle est bloqué.</p> <p>B. Le harnais du câblage du clavier est desserré, débranché ou endommagé.</p> <p>C. Le clavier ne fonctionne pas.</p> <p>D. Le contrôle ne fonctionne pas.</p>	<p>A. Réinitialiser le GFCI ou le ELCB.</p> <p>B. Vérifier les connexions du câblage. Remplacer le harnais du câblage si besoin.</p> <p>C. Remplacer le clavier.</p> <p>D. Remplacer le contrôle.</p>
5. Le clavier est illuminé, mais la pompe de démarre pas.	<p>A. Le câble de la pompe est desserré, déconnecté ou endommagé.</p> <p>B. La pompe ne fonctionne pas.</p> <p>C. Le contrôle ne fonctionne pas.</p>	<p>A. Vérifier les connexions du câblage.</p> <p>B. Remplacer la pompe.</p> <p>C. Remplacer le contrôle.</p>
6. Le moteur fonctionne mais la pompe ne pompe pas (pompe cavitante).	<p>A. La pompe est trop élevée.</p> <p>B. Petite fuite d'air à l'entrée de la pompe.</p> <p>C. Le moteur/pompe ne fonctionne pas.</p> <p>D. Le contrôle ne fonctionne pas.</p>	<p>A. Baisser la pompe/contrôle au niveau du sol.</p> <p>B. Serrer soigneusement le(s) écrou(s) des tuyaux de l'admission de la pompe.</p> <p>C. Remplacer le moteur/la pompe.</p> <p>D. Remplacer le contrôle.</p>
7. La pompe s'arrête automatiquement avant 18 minutes.	<p>A. Les disjoncteurs GFCI ou ELCB se déclenchent.</p>	<p>A. Identifier la source du problème puis y remédier. Réinitialiser le GFCI ou le ELCB.</p>

Procédures de dépannage (cont.)

Symptômes	Causes probables	Action recommandée
	<ul style="list-style-type: none"> B. L'aspiration est bloquée. C. Les jets sont bloqués. D. Moteur surchauffé et disjoncteur activé. 	<ul style="list-style-type: none"> B. Retirer l'obstruction. C. Débloquer. D. Vérifier si la conduite d'aspiration et/ou les jets sont bouchés. Retirer l'obstruction et laisser refroidir le moteur.
8. La pompe ne s'arrête pas automatiquement après 22 minutes.	<ul style="list-style-type: none"> A. La minuterie de 20 minutes s'arrête par inadvertance. 	<ul style="list-style-type: none"> A. Consulter le manuel de service.
9. La pompe ne s'arrête pas quand le bouton de marche du clavier est pressé.	<ul style="list-style-type: none"> A. Le clavier ne fonctionne pas. B. Le contrôle ne fonctionne pas. 	<ul style="list-style-type: none"> A. Remplacer le clavier. B. Remplacer le contrôle.
10. La pompe fonctionne, mais la fonction de vitesse variable ne fonctionne pas.	<ul style="list-style-type: none"> A. Le moteur/pompe ne fonctionne pas. B. Le contrôle ne fonctionne pas. 	<ul style="list-style-type: none"> A. Remplacer le moteur/la pompe. B. Remplacer le contrôle.
11. L'eau de la baignoire se refroidit pendant l'opération de la pompe.	<ul style="list-style-type: none"> A. La température de l'eau au dessus de 104° F (40° C). B. Le chauffeau est arrêté par le clavier. C. Le câblage du chauffeau est desserré, débranché ou endommagé. D. Le chauffeau ne fonctionne pas. E. Le contrôle ne fonctionne pas. 	<ul style="list-style-type: none"> A. Laisser l'eau du bain refroidir. B. Mettre le chauffeau en marche. C. Vérifier les connexions du câblage. D. Remplacer le chauffeau. E. Remplacer le contrôle.
12. Fonctionnement bruyant.	<ul style="list-style-type: none"> A. Les sangles de retenue de la pompe n'ont pas été coupées. B. Le joint torique c'est délogé ou il est sec (crissement). 	<ul style="list-style-type: none"> A. Couper les sangles de retenue avec une cisaille de ferblantier. B. Retirer le jet, remplacer et lubrifier le joint torique, et réinstaller le jet.
13. La télécommande (si équipé) ne fonctionne pas.	<ul style="list-style-type: none"> A. Les piles sont mal installées ou épuisées. B. L'antenne du câblage électrique est endommagée. C. La télécommande n'est pas correctement programmée. D. La télécommande ne fonctionne pas. E. Le contrôle ne fonctionne pas. 	<ul style="list-style-type: none"> A. Remplacer les piles. B. Remplacer le harnais de câblage électrique. C. Consulter le guide du propriétaire ou le manuel de service. D. Remplacer la télécommande. E. Remplacer le contrôle.

Guía de instalación

Bañera de hidromasaje con opción de bomba a medida

Información importante



ADVERTENCIA: Al usar aparatos eléctricos, siga siempre las precauciones básicas, incluyendo las siguientes:



PELIGRO: Riesgo de descarga eléctrica. Conecte la unidad solamente a circuitos protegidos con un interruptor de circuito accionado por corriente de pérdida a tierra (GFCI).

El material de construcción y el cableado se deben colocar lejos del cuerpo de la bomba y de otros componentes conductores de calor de la unidad.

Instale la unidad de manera que se permita el acceso para el mantenimiento.

El compartimento de cables incluye un conector de presión que tiene inscrito "Earth/Ground". Para reducir el riesgo de descarga eléctrica, conecte este conector al terminal de tierra de su tablero eléctrico o panel de suministro con un cable de cobre del mismo tamaño que los conductores del circuito que alimentan este equipo.

Esta unidad incluye conectores de presión en la parte exterior de la caja de empalmes o control para permitir la conexión de un conductor de puesta a tierra entre este producto y cualquier metal expuesto en las proximidades de la unidad, tal como lo requieren las normas locales.

Es necesario realizar la conexión a tierra. Esta unidad debe ser instalada y conectada a tierra por un representante de servicio autorizado.



ADVERTENCIA: Riesgo de descarga eléctrica. Un electricista calificado debe realizar todas las conexiones eléctricas.



ADVERTENCIA: Riesgo de descarga eléctrica. Desconecte el suministro eléctrico antes de realizar el mantenimiento de esta unidad.



ADVERTENCIA: Riesgo de lesiones personales o daños a la propiedad. Lea atentamente todas las instrucciones antes de comenzar la instalación, incluyendo los requisitos detallados a continuación.

AVISO: Cumpla con todos los códigos locales de electricidad y de plomería.

Información sobre el producto

Requisitos eléctricos

La instalación debe incluir un interruptor de circuito accionado por corriente de pérdida a tierra (GFCI) de Clase A. El GFCI protege contra el peligro de descarga eléctrica. **Utilice un circuito dedicado de 220 - 240 V, 20 A, 50/60 Hz para la bañera de hidromasaje.**

Advertencias



ADVERTENCIA: Las modificaciones no autorizadas pueden causar el funcionamiento peligroso y el bajo rendimiento de la bañera de hidromasaje. Esta bañera de hidromasaje posee una característica opcional para instalar la bomba a la medida. Si ha pedido esta opción, las conexiones para la bomba estarán ya montadas en la bañera de hidromasaje cuando la reciba. La bomba debe colocarse únicamente en este lugar. No realice modificaciones al sistema de hidromasaje, pues esto podría tener un efecto adverso en el rendimiento y en el funcionamiento seguro de la unidad. La empresa Kohler no se hace responsable bajo esta garantía o de ninguna otra forma, de las lesiones personales o los

Información sobre el producto (cont.)

daños provocados por modificaciones no autorizadas.

Características

Los componentes incluyen una bomba, un calentador, un control e interruptores iluminados (teclado).

Acceso para las conexiones y el mantenimiento

Antes de instalar, asegúrese de tener el acceso adecuado a las conexiones finales.

AVISO: Facilite bastante acceso, sin restricciones, para el mantenimiento de la bomba. Se debe facilitar el acceso para el mantenimiento de la bomba y los controles. El panel de acceso debe colocarse justo al lado de la bomba. Consulte el diagrama de instalación incluido con la bañera de hidromasaje.

Contenido

Información importante	1
Información sobre el producto	1
Requisitos eléctricos	1
Advertencias	1
Características	2
Acceso para las conexiones y el mantenimiento	2
Gracias por elegir los productos de Kohler	2
Antes de comenzar	3
Herramientas y materiales	3
Preparación del sitio	4
Preparación del sitio	5
Prepare la bañera de hidromasaje	5
Desconecte la bomba	6
Reubique la bomba - Opción A	6
Reubique la bomba - Opción B	6
Fije la bañera de hidromasaje al subpiso	7
Monte la bomba en el lugar a medida	8
Instalación de plomería	9
Realice las conexiones eléctricas	9
Instale el juego de guarnición de la bañera de hidromasaje	11
Pruebe el funcionamiento de la bañera de hidromasaje	11
Termine la cubierta/pared acabada	12
Termine la instalación de concreto	12
Limpieza después de la instalación	12
Confirme el funcionamiento correcto	13
Secuencia de funcionamiento	13
Procedimientos de reparación	14

Gracias por elegir los productos de Kohler

Apreciamos su elección por la calidad de Kohler. Dedique unos minutos para leer este manual antes de comenzar la instalación. En caso de problemas de instalación o de funcionamiento, no dude en contactarnos. Nuestros números de teléfono y nuestra página web se encuentran en la última página. Gracias nuevamente por escoger a Kohler.

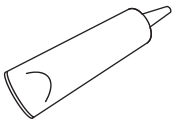
Antes de comenzar



PRECAUCIÓN: Riesgo de daños al producto. No levante la bañera de hidromasaje por los tubos o la bomba, ni use los tubos o la bomba como soporte estructural de la bañera de hidromasaje.

- Recomendamos esta bañera de hidromasaje para una instalación empotrada en el piso, en esquinas o empotrada en la pared.
- Verifique que la bañera de hidromasaje no esté dañada antes de iniciar la instalación.
- Es necesario instalar la bañera de hidromasaje en un subpiso nivelado y con suficiente soporte.
- De ser empleado, el faldón opcional debe instalarse antes del revestimiento de la pared y del piso acabado.
- Verifique que haya suficiente soporte para la grifería sobre el reborde; las griferías grandes que puedan ser utilizadas inadvertidamente como medio de soporte no son apropiadas ni seguras para esta instalación.

Herramientas y materiales



Sellador de
silicona



Cinta métrica



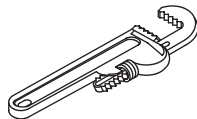
Lápiz



Nivel



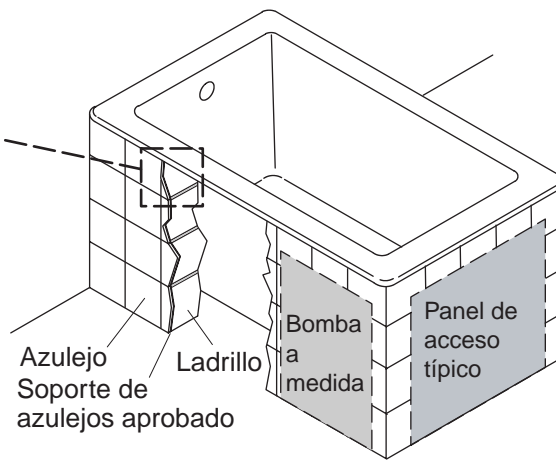
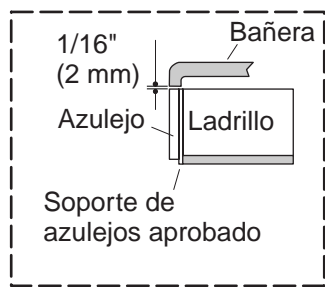
Lentes de
seguridad



Llave para
tubo

Más:

- Herramientas y materiales convencionales para instalar la madera y el concreto
- Lona para el piso



La bañera de hidromasaje puede instalarse junto a la pared o en instalación aislada.

Instale un panel de acceso para facilitar el mantenimiento de la bomba.

1. Preparación del sitio

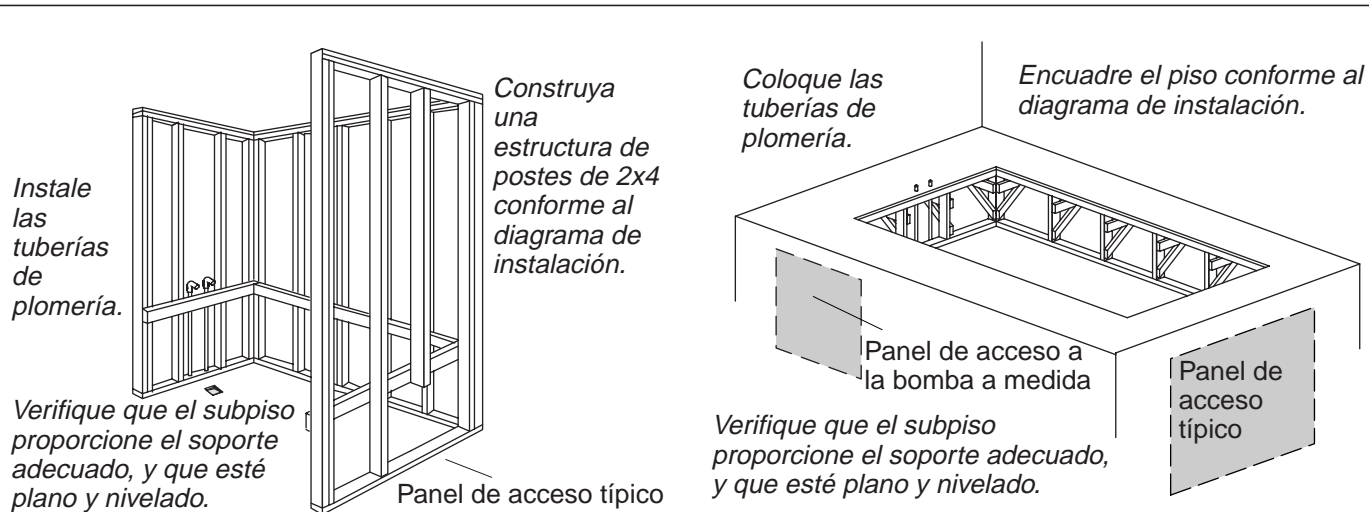
Construcción de concreto

AVISO: Se debe proporcionar un piso con suficiente soporte. Consulte el diagrama de instalación incluido con su bañera de hidromasaje para obtener los requisitos de carga específicos para el piso.



PRECAUCIÓN: Riesgo de daños al producto. No apoye la bañera de hidromasaje por los bordes.

- Asegúrese de que el piso ofrezca suficiente soporte para su bañera de hidromasaje y que el subpiso esté plano y nivelado.
- Esta bañera de hidromasaje se puede instalar junto a la pared o en instalación aislada. La instalación aislada requiere estar rodeada de una estructura por los cuatro lados. En ambos casos, verifique que la cubierta esté soportada por ladrillos o concreto.
- Instale un panel de acceso para facilitar el mantenimiento de la bomba.
- Construya soportes de ladrillo o concreto.
- Proporcione un espacio de 1/16" (2 mm) entre el reborde de la bañera de hidromasaje y la estructura de concreto o ladrillos. Encadre el piso o construya una estructura para una instalación elevada, conforme a la información contenida en el diagrama de instalación de la bañera de hidromasaje.
- Coloque las tuberías de plomería según el diagrama de instalación incluido. Cierre los suministros y verifique que no haya fugas.



2. Preparación del sitio

Construcción de madera

AVISO: Se debe proporcionar un piso con suficiente soporte. Consulte el diagrama de instalación incluido con su bañera de hidromasaje para obtener los requisitos de carga específicos para el piso.

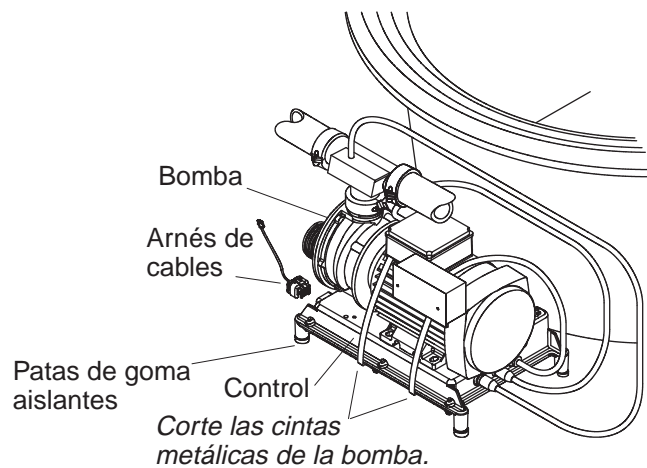


PRECAUCIÓN: Riesgo de daños al producto. No apoye la bañera de hidromasaje por los bordes.

- Asegúrese de que el piso ofrezca suficiente soporte para su bañera de hidromasaje y que el subpiso esté plano y nivelado.
- Esta bañera de hidromasaje puede montarse en una instalación empotrada en el piso, en esquina o empotrada en la pared. Construya una estructura de postes de 2x4 para su instalación en particular. Encadere el piso o construya una estructura para una instalación elevada, conforme a la información contenida en el diagrama de instalación.
- Utilice la información sobre la abertura en el diagrama de instalación para trazar y cortar con cuidado el material de la cubierta.
- Instale un panel de acceso para facilitar el mantenimiento de la bomba.
- Coloque las tuberías de plomería según la información del diagrama de instalación. Cierre los suministros y verifique que no haya fugas.

3. Prepare la bañera de hidromasaje

- Recomendamos utilizar tiras selladoras en las bañeras de borde recto, si uno o más lados de la bañera de hidromasaje entran en contacto con la pared. Esta tira selladora impide que el agua se filtre entre la bañera de hidromasaje y la pared. Siga las instrucciones incluidas con la tira selladora para instalarla en este momento.
- Instale el desagüe en la bañera de hidromasaje según las instrucciones del fabricante. No conecte el sifón en este momento.
- Coloque una lona gruesa limpia o un material similar en el fondo de la bañera de hidromasaje. Tenga cuidado de no rayar la superficie de la bañera de hidromasaje.



4. Desconecte la bomba

¡IMPORTANTE! No es necesario cortar el arnés (tubos) de la bañera de hidromasaje para esta instalación. Cualquier corte en el arnés de la bañera de hidromasaje anulará la garantía.

- Desconecte la bomba de la bañera de hidromasaje cortando las cintas metálicas con unas tijeras para chapa.

NOTA: Es posible que el calentador esté montado en la bomba o se encuentre en el lugar de instalación de la bomba a medida, dependiendo del modelo.

¡IMPORTANTE! Más adelante se describen dos métodos de reubicación de la bomba. Elija el método más apropiado para la instalación de su bañera de hidromasaje.

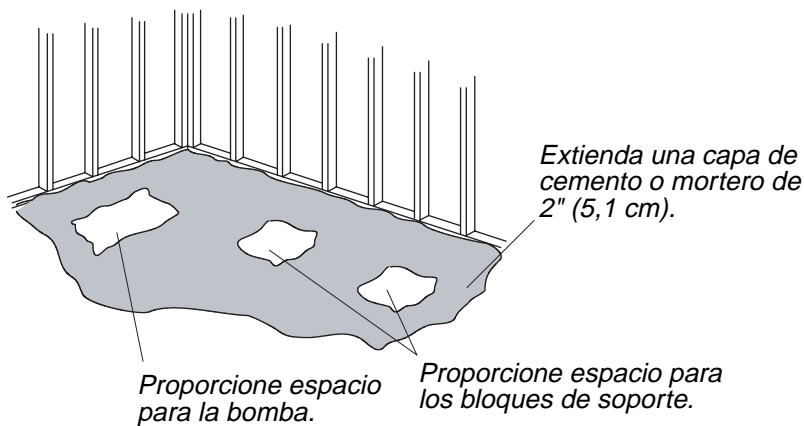
5. Reubique la bomba - Opción A

Instalaciones empotradas en el piso

- Reubique el calentador y/o la bomba junto a las conexiones de entrada/salida, a medida, del arnés de la bañera de hidromasaje. Es posible que la bomba sobresalga del borde de la bañera de hidromasaje. Consulte el diagrama de instalación.
- Haga pasar las amarras de cables incluidas a través de los orificios en el soporte montado en la parte posterior de la bañera de hidromasaje y ubicado encima de la nueva bomba.
- Fije la bomba provisionalmente a la bañera de hidromasaje, atando las amarras alrededor de la bomba y el control.
- Siga todos los procedimientos de la sección "Instale la bañera de hidromasaje". Cuando mueva la bañera de hidromasaje a su lugar, la bomba estará suspendida temporalmente. Procure no dañar la bomba y el control cuando coloque la bañera de hidromasaje en posición.
- Retire las amarras de cables y conecte la bomba al arnés siguiendo todos los procedimientos de la sección "Monte la bomba en el lugar a medida".

6. Reubique la bomba - Opción B

- Coloque la bomba a un lado.
- Siga todos los procedimientos de la sección "Instale la bañera de hidromasaje".
- Mueva la bomba al nuevo lugar a través del panel de acceso. Conecte la bomba al arnés siguiendo todos los procedimientos de la sección "Monte la bomba en el lugar a medida".



Aplique una tira de sellador de silicona alrededor de todo el borde

o

Aplique adhesivo de construcción en los bloques de soporte.

7. Fije la bañera de hidromasaje al subpiso



PRECAUCIÓN: Riesgo de daños al producto. No levante la bañera de hidromasaje por los tubos o la bomba, ni use los tubos o la bomba como soporte estructural de la bañera de hidromasaje.

- Elija la opción de instalación más apropiada para su instalación en particular. Siga las instrucciones correspondientes.
- Si el subpiso no está nivelado, acúñe los bloques de soporte de la bañera de hidromasaje según sea necesario.

Opción que utiliza una capa de cemento o mortero

- Aplique una capa de 2" (5,1 cm) de cemento o mortero en el subpiso donde se colocará la bañera. Esto ayudará a fijar, nivelar y dar soporte a la unidad. Despeje todo el material de los lugares donde se instalarán el control de la bomba y los bloques de soporte.

NOTA: No utilice cemento de yeso o pasta para paneles de yeso con esta aplicación, puesto que no proporcionarán una adherencia aceptable o duradera.

NOTA: El control de la bomba (cuando las cintas metálicas estén cortadas) y los bloques de soporte deben descansar directamente en el subpiso.

- Coloque un trozo de lona gruesa de plástico sobre el cemento o mortero. Obtenga ayuda para colocar con cuidado la bañera de hidromasaje en su lugar y verifique que el control de la bomba y los bloques de soporte no se apoyen sobre el material.
- Inserte el tubo de desagüe en el sifón. Asegúrese de que la bañera de hidromasaje esté nivelada y apoyada sobre todos los bloques de soporte.

Opción que utiliza adhesivo de construcción

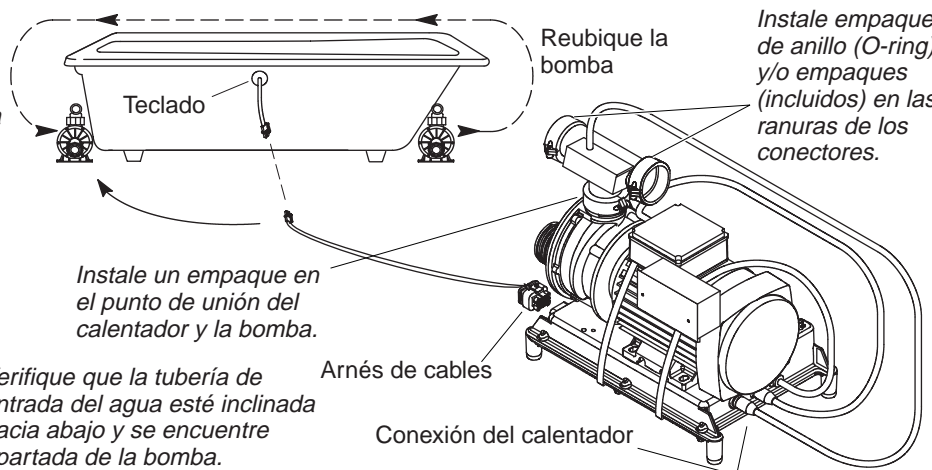
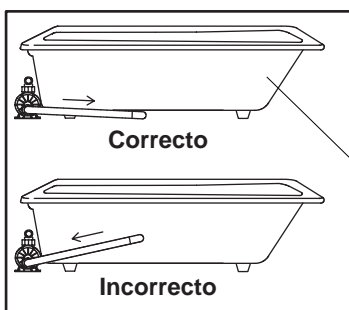
- Aplique una cantidad abundante de adhesivo de construcción de alta calidad en la base de los bloques de soporte. Obtenga ayuda para colocar con cuidado la bañera de hidromasaje en su lugar.
- Inserte el tubo de desagüe en el sifón. Asegúrese de que la bañera de hidromasaje esté nivelada y apoyada sobre todos los bloques de soporte.

Opción que utiliza sellador de silicona

- Obtenga ayuda para colocar con cuidado la bañera de hidromasaje en su lugar.
- Inserte el tubo de desagüe en el sifón. Asegúrese de que la bañera de hidromasaje esté nivelada y apoyada sobre todos los bloques de soporte.
- Aplique una tira continua de sellador de silicona de buena calidad alrededor de todo el borde de la bañera de hidromasaje.

Al instalar la bomba, asegúrese de retirar los obturadores de las tuberías de entrada y salida.

Facilite el acceso a la bomba instalada para el mantenimiento futuro.



8. Monte la bomba en el lugar a medida

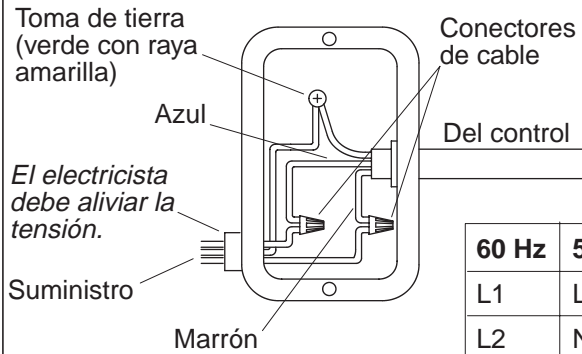
- Retire el embalaje del arnés de la bañera de hidromasaje. Corte únicamente las amarras que sostienen las tuercas de sujeción del arnés.
- Retire los obturadores de las aberturas de entrada y salida de la bomba. Instale el empaque incluido en la conexión donde se unen el calentador y la bomba. Instale los empaques de anillo (O-ring)/empaques incluidos en las ranuras de los conectores de entrada y salida.
- Coloque la bomba y el control en su lugar. Asegúrese de que las patas aislantes de goma estén colocadas en su lugar.
- Enrosque las tuercas plásticas de sujeción de entrada y salida en la bomba y/o calentador hasta que los empaques de anillo (O-ring) hagan contacto inicial.
- No apriete las tuercas más de un cuarto de vuelta adicional. **No utilice una llave ni apriete demasiado estas tuercas, pues se pueden producir daños o fugas.**
- Verifique que los tubos del arnés de la bañera de hidromasaje tengan la inclinación correcta (hacia abajo y hacia fuera) para facilitar el desagüe de agua de la bomba a través de las conexiones de succión. La bomba debe estar apoyada en el mismo subpiso, y a la misma altura que las patas de la bañera de hidromasaje. Acuñe la bomba si es necesario en el subpiso, pero sólo a la altura suficiente como para permitir que el agua desagüe por la tubería de succión cuando se vacíe la bañera de hidromasaje.

NOTA: No acuñe la bomba más de 1/4" (6 mm). Si se eleva demasiado, la bomba no funcionará correctamente.

- Si su calentador ya está instalado en el lugar a medida, enchufe simplemente el cable del calentador en la conexión para el calentador del control, alineando las clavijas y presionando.
- Ubique el conductor sólido de cobre de calibre 8 que se encuentra en el soporte sobre el que se ha transportado la bomba. Haga pasar este cable conductor otra vez por la bomba y el control, en el lugar a medida, y conéctelo a una de las lengüetas en la caja de control. Esto es necesario para realizar la conexión a tierra de los metales.
- Asegúrese de que el cable del teclado montado en la bañera esté conectado al arnés de cableado en el control.

El cableado de la caja de empalmes debe realizarse conforme a la ilustración.

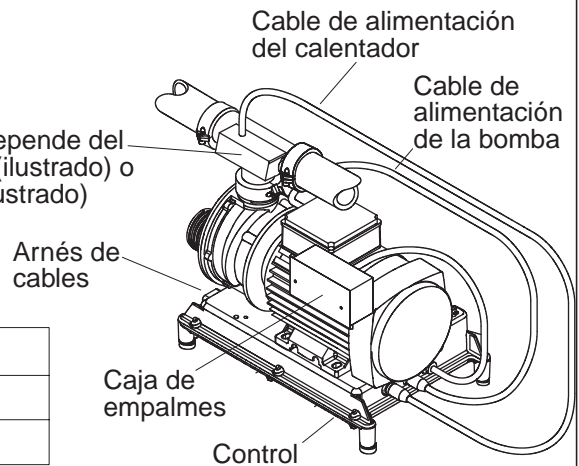
Conecte conforme a los códigos nacionales y locales.



El electricista debe aliviar la tensión.

Calentador (depende del modelo) en T (ilustrado) o en línea (no ilustrado)

60 Hz	50 Hz	Del control
L1	L1	Marrón
L2	N	Azul



9. Instalación de plomería



PRECAUCIÓN: Riesgo de daños a la propiedad. Asegúrese de que no haya fugas en la conexión del desagüe de la bañera de hidromasaje.

- Conecte el desagüe al sifón según las instrucciones del fabricante del desagüe.

AVISO: Un panel de acceso facilitará el mantenimiento futuro.

- Instale la válvula de la grifería según las instrucciones del fabricante de la grifería. No instale la guarnición de la grifería hasta que se le indique. Abra los suministros del agua caliente y fría, y compruebe que no haya fugas en las conexiones de suministro.
- Haga que el agua circule en la bañera de hidromasaje y compruebe que no haya fugas en las conexiones del desagüe.
- Si su bañera de hidromasaje necesita asideros, instálelos ahora según las instrucciones incluidas con el producto.

10. Realice las conexiones eléctricas

NOTA: El número de modelo de la bañera de hidromasaje está impreso en una etiqueta cerca de la bomba de la bañera de hidromasaje. Esta etiqueta también identifica la clasificación nominal eléctrica de la bañera de hidromasaje. **Todas las bañeras de hidromasaje están equipadas con una caja de empalmes y sólo funcionan de 220 V a 240 V y a 50 Hz ó 60 Hz.**



ADVERTENCIA: Riesgo de descarga eléctrica. Para reducir el riesgo de descarga eléctrica, conecte la bomba a un tomacorriente correctamente conectado a tierra, protegido con un interruptor de circuito accionado por corriente de pérdida a tierra (GFCI). Esto servirá de protección adicional contra el peligro de descarga eléctrica. Requiere un circuito dedicado de 220 - 240 V, 20 A, 50/60 Hz.



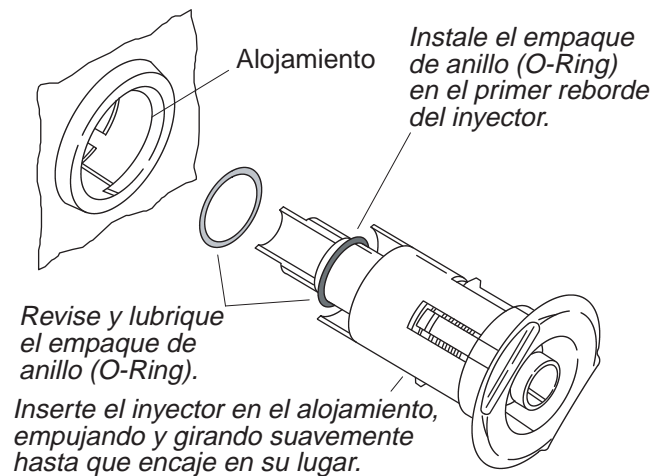
ADVERTENCIA: Riesgo de descarga eléctrica. Asegúrese de desconectar la corriente antes de realizar el siguiente procedimiento.

- El cableado de los controles de la bañera se ha realizado en la fábrica. Un electricista calificado debe realizar las conexiones y el mantenimiento de la caja de empalmes.
- Conecte la corriente a la caja de empalmes. La caja de empalmes contiene cables azules, marrones y verdes con una raya amarilla, así como una lengüeta para la conexión a tierra.
- Proporcione un conductor de tierra distinto para la lengüeta de conexión a tierra que se encuentra en la caja de empalmes. El conductor de tierra **no debe** estar conectado a ningún conductor con corriente. Cumpla con todos los códigos eléctricos locales. Conecte conforme a los códigos nacionales y locales.

Realice las conexiones eléctricas (cont.)

- El cableado del arnés de cables se ha realizado en la fábrica, permitiendo la comunicación entre el teclado, todas las funciones y el control. No es necesario realizar ningún cableado adicional, pero asegúrese de que todos los cables se hayan fijado bien.

NOTA: El arnés de cables incluye una antena para el control remoto opcional. No realice modificaciones ni cause daños a la antena durante la instalación.



11. Instale el juego de guarnición de la bañera de hidromasaje

- Instale el juego de guarnición según las instrucciones incluidas con el mismo. Siga atentamente los pasos de instalación de los inyectores mencionados más abajo, pues contienen información importante para obtener un funcionamiento sin problemas.

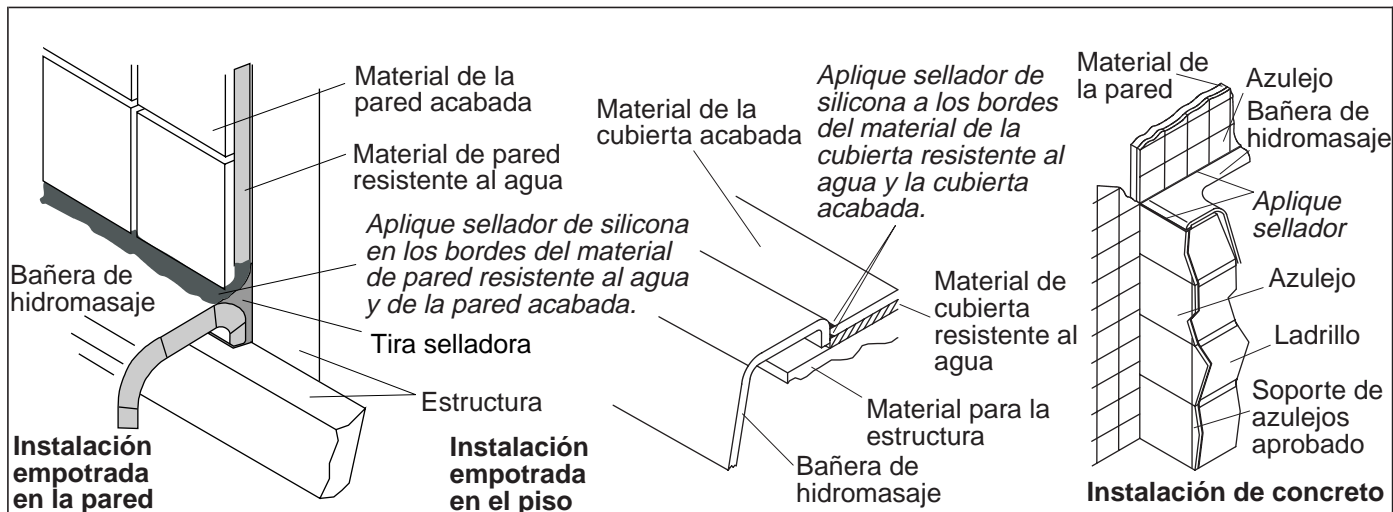
NOTA: El empaque de anillo (O-ring) del inyector debe estar correctamente colocado, lubricado y en buenas condiciones para que el inyector pueda girar fácilmente y funcione bien.

- Instale el empaque de anillo (O-ring) en el **primer reborde** del inyector. Lubrique el empaque de anillo (O-ring) con lubricante de silicona para evitar que el inyector haga ruido.
- Inserte el inyector en el alojamiento con cuidado, empuje y gire el inyector levemente hasta que se encaje en su lugar. **No fuerce el inyector.**

NOTA: Cuando está instalado correctamente, el inyector gira sin problemas en ambos sentidos.

12. Pruebe el funcionamiento de la bañera de hidromasaje

- Revise todas las conexiones eléctricas y asegúrese de la presencia de corriente en la bañera de hidromasaje.
- Asegúrese de que todas las conexiones de unión de la bomba y el calentador estén bien apretadas a mano.
- Verifique que las cintas metálicas estén cortadas y que el control de la bomba descansa directamente sobre el subpiso. Asegúrese de que las patas aislantes de goma estén colocadas en su lugar.
- Llene la bañera de hidromasaje al menos 2" (5,1 cm) por encima del inyector más alto.
- Haga funcionar la bañera de hidromasaje durante 5 minutos (consulte la sección "Secuencia de funcionamiento") y compruebe que no haya fugas en las conexiones en la parte posterior de la bañera de hidromasaje.
- Para obtener información adicional acerca del funcionamiento de la bañera de hidromasaje, consulte la sección "Confirme el funcionamiento correcto".



13. Termine la cubierta/pared acabada

- Retire con cuidado la cinta protectora del reborde de la bañera de hidromasaje, si aún no lo ha hecho.
- Cubra la estructura con un material de cubierta/pared resistente al agua. Selle las juntas entre el filo del borde de la bañera de hidromasaje y el material resistente al agua de la pared/cubierta con sellador de silicona.
- Adhiera el material resistente al agua a la pared o cubierta con cinta y yeso. Instale la pared acabada/cubierta con el material resistente al agua para la pared/cubierta. Selle las juntas entre el borde de la bañera de hidromasaje y la pared acabada/cubierta utilizando sellador de silicona.
- Instale la guarnición de la grifería conforme a las instrucciones incluidas con la misma.

14. Termine la instalación de concreto

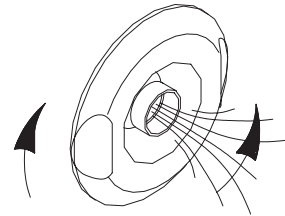
- Retire con cuidado la cinta protectora del reborde de la bañera de hidromasaje, si aún no lo ha hecho.
- Aplique mortero y adhiera los azulejos a la pared, cubierta y al material de la estructura según sea necesario.
- Aplique una tira de sellador en los lugares donde el azulejo entre en contacto con la superficie de la bañera de hidromasaje.
- Instale la guarnición de la grifería conforme a las instrucciones incluidas con la misma.

15. Limpieza después de la instalación

- Al limpiar después de la instalación, **no utilice productos de limpieza abrasivos**, pues pueden rayar y opacar la superficie de la bañera de hidromasaje. De ser necesario, utilice agua tibia y un detergente líquido para limpiar la superficie de la bañera de hidromasaje, el teclado y el control remoto.
- Limpie las manchas difíciles de quitar, la pintura y el alquitrán con aguarrás o diluyente de pintura. **No permita que los productos de limpieza que contengan destilados de petróleo permanezcan en contacto con la superficie de la bañera de hidromasaje por periodos prolongados.** El yeso se puede eliminar raspando con un canto de madera. No utilice raspadores de metal, cepillos de alambre ni otras herramientas metálicas. Se puede utilizar un detergente en polvo con un trapo húmedo para proporcionar una acción abrasiva y suave en los residuos de yeso.



Gire el anillo decorativo del inyector hacia la derecha para disminuir el flujo.



Gire el anillo decorativo del inyector hacia la izquierda para aumentar el flujo.

16. Confirme el funcionamiento correcto

Llene la bañera de hidromasaje

NOTA: Lea atentamente estos pasos antes de activar la bañera de hidromasaje.

- Coloque las boquillas de los inyectores de manera que estén orientadas hacia la pileta. Gire el anillo decorativo de los inyectores totalmente hacia la izquierda.
- **Llene la bañera de hidromasaje al menos 2" (5,1 cm) por encima del inyector más alto.**

NOTA: La temperatura del agua en la bañera de hidromasaje no debe exceder de 104° F (40° C). El calentador se apagará automáticamente conforme la temperatura del agua alcance los 104° F (40° C) y permanecerá apagado hasta que el agua se enfríe.

17. Secuencia de funcionamiento

NOTA: El calentador integrado ayuda automáticamente a mantener la temperatura del agua mientras la bañera esté en marcha, siempre y cuando la temperatura no sobrepase los 104° F (40° C). El calentador se detendrá cuando alcance temperaturas superiores.

¡IMPORTANTE! Consulte la Guía del usuario para obtener las instrucciones detalladas del teclado y del control remoto opcional.

- Pulse el icono de encendido/apagado principal para encender la bañera de hidromasaje. La bañera de hidromasaje comenzará a funcionar con un flujo medio.
- Pulse las flechas del teclado hacia arriba o hacia abajo para aumentar o disminuir el flujo de agua. La barra indicadora en el centro del teclado muestra el volumen del flujo de agua.
- Ajuste cada inyector para obtener una mezcla óptima de aire/agua. Gire el anillo decorativo del inyector hacia la derecha para reducir el flujo de aire, y hacia la izquierda para aumentarlo.
- Pulse el icono del calentador para apagarlo y volver a encenderlo. Cuando está iluminada, la luz indicadora muestra que la temperatura del agua se va a mantener hasta 104° F (40° C).
- Vuelva a pulsar el icono de encendido/apagado principal por segunda vez para apagar la bañera de hidromasaje.

NOTA: El temporizador integrado detiene el motor y la bomba automáticamente después de 20 minutos de funcionamiento.

18. Procedimientos de reparación

La tabla de problemas de reparación está diseñada únicamente como ayuda general. Todos los problemas eléctricos deben ser resueltos por un representante de servicio autorizado de Kohler o un electricista calificado. Para obtener servicio cubierto por la garantía, póngase en contacto con el vendedor o el distribuidor mayorista.

Problemas de reparación en el sistema de la bañera de hidromasaje

Síntomas	Causas probables	Acción recomendada
1. El teclado no se ilumina cuando se pulsa el botón de encendido o se gira el anillo externo.	<p>A. El control no tiene suministro eléctrico.</p> <p>B. El interruptor de circuito (GFCI) se ha disparado.</p> <p>C. El conjunto de cables que existe entre el teclado y el control está suelto, desconectado o dañado.</p> <p>D. El teclado no funciona.</p> <p>E. El control no funciona.</p>	<p>A. Verifique el cableado y conecte el suministro eléctrico.</p> <p>B. Reinicie el interruptor de circuito (GFCI).</p> <p>C. Compruebe que los cables estén correctamente conectados. Reemplace el arnés de cables de ser necesario.</p> <p>D. Reemplace el teclado.</p> <p>E. Reemplace el control.</p>
2. El motor se enciende, pero no todos los inyectores funcionan.	<p>A. Un inyector está cerrado.</p> <p>B. Un inyector no está instalado correctamente.</p> <p>C. Los inyectores están bloqueados.</p>	<p>A. Gire el anillo decorativo del inyector hacia la izquierda para abrirlo.</p> <p>B. Reinstale el inyector; compruebe que el empaque de anillo (O-ring) no esté dañado.</p> <p>C. Elimine la obstrucción.</p>
3. El teclado está iluminado, pero no responde a los botones o anillo externo.	<p>A. El programa del control está bloqueado.</p> <p>B. El conjunto de cables que existe entre el teclado y el control está suelto, desconectado o dañado.</p> <p>C. El teclado no funciona.</p> <p>D. El control no funciona.</p>	<p>A. Reinicie el interruptor de circuito (GFCI).</p> <p>B. Compruebe que los cables estén correctamente conectados. Reemplace el arnés de cables de ser necesario.</p> <p>C. Reemplace el teclado.</p> <p>D. Reemplace el control.</p>
4. Al encender la unidad, la barra indicadora del teclado continúa en modo de búsqueda.	<p>A. El programa del control está bloqueado.</p> <p>B. El conjunto de cables que existe entre el teclado y el control está suelto, desconectado o dañado.</p> <p>C. El teclado no funciona.</p> <p>D. El control no funciona.</p>	<p>A. Reinicie el interruptor de circuito (GFCI).</p> <p>B. Compruebe que los cables estén correctamente conectados. Reemplace el arnés de cables de ser necesario.</p> <p>C. Reemplace el teclado.</p> <p>D. Reemplace el control.</p>
5. El teclado está iluminado pero la bomba no se enciende.	<p>A. El cable de alimentación que existe entre la bomba y el control está suelto, desconectado o dañado.</p> <p>B. La bomba no funciona.</p> <p>C. El control no funciona.</p>	<p>A. Compruebe que los cables estén correctamente conectados.</p> <p>B. Reemplace la bomba.</p> <p>C. Reemplace el control.</p>
6. El motor funciona pero la bomba no se pone en marcha (se produce cavitación).	<p>A. La bomba se ha acuñado demasiado.</p> <p>B. Pequeña fuga de aire en la entrada de la bomba.</p> <p>C. El motor/bomba no funciona.</p>	<p>A. Baje la bomba/control al nivel del subpiso.</p> <p>B. Apriete firmemente la(s) tuerca(s) por la parte de entrada de la bomba.</p> <p>C. Reemplace el motor/bomba.</p>

Procedimientos de reparación (cont.)		
Síntomas	Causas probables	Acción recomendada
	D. El control no funciona.	D. Reemplace el control.
7. La bomba se detiene antes de funcionar durante 18 minutos.	A. El interruptor de circuito (GFCI) se ha disparado. B. La succión está bloqueada. C. Los inyectores están obstruidos. D. El motor se ha recalentado, activando el dispositivo de protección.	A. Identifique la causa del problema y corríjalo. Reinicie el interruptor de circuito (GFCI). B. Elimine la obstrucción. C. Elimine la obstrucción. D. Verifique que no haya obstrucciones en la zona de succión y/o inyectores. Elimine la obstrucción y permita que el motor se enfríe.
8. La bomba no se apaga automáticamente después de 22 minutos.	A. El temporizador de 20 minutos se ha desactivado inadvertidamente.	A. Consulte el manual de mantenimiento.
9. La bomba no se apaga cuando se pulsa el botón de encendido/apagado en el teclado.	A. El teclado no funciona. B. El control no funciona.	A. Reemplace el teclado. B. Reemplace el control.
10. La bomba se pone en marcha pero la opción de velocidad variable no funciona.	A. El motor/bomba no funciona. B. El control no funciona.	A. Reemplace el motor/bomba. B. Reemplace el control.
11. El agua de la bañera se enfría cuando la bomba está en marcha.	A. La temperatura del agua sobrepasa los 104° F (40° C). B. El botón del calentador está apagado en el teclado. C. El cable que existe entre el calentador y el control está suelto, desconectado o dañado. D. El calentador no funciona. E. El control no funciona.	A. Permita que el agua de la bañera se enfríe. B. Encienda el calentador. C. Compruebe que los cables estén correctamente conectados. D. Reemplace el calentador. E. Reemplace el control.
12. Funcionamiento ruidoso.	A. Las cintas metálicas de la bomba no se han cortado. B. El empaque de anillo (Oring) está mal colocado o seco (ruidoso).	A. Corte las cintas metálicas con unas tijeras para chapa. B. Extraiga el inyector, reemplace y lubrique el empaque de anillo (O-ring); vuelva a instalar el inyector.
13. El control remoto (si está incluido) no funciona.	A. Las pilas se han instalado de manera incorrecta o están descargadas. B. La antena del arnés de cables está dañada. C. El control remoto no se ha programado correctamente. D. El control remoto no funciona. E. El control no funciona.	A. Reemplace las pilas. B. Reemplace el arnés de cables. C. Consulte la guía del usuario o el manual de mantenimiento. D. Reemplace el control remoto. E. Reemplace el control.

USA: 1-800-4-KOHLER
Canada: 1-800-964-5590
México: 001-877-680-1310

kohler.com

THE BOLD LOOK
OF **KOHLER**®

©2005 Kohler Co.

1022199-2-D